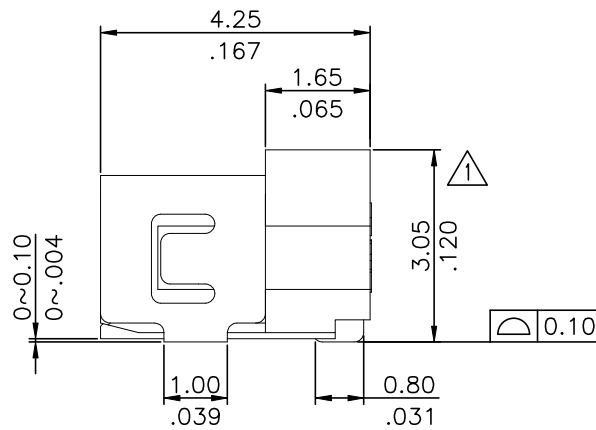


Material:
 Base: High temperature plastic
 UL 94V-0
 Contact: Copper alloy
 Shell : Stainless Steel

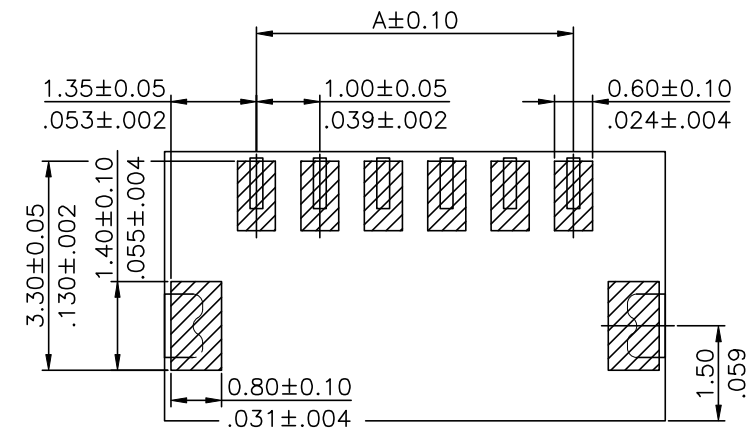


Circuits	Dimension			
	A	B	C	D
4	3.00(.118)	5.9(.232)	4.50(.177)	4.7(.185)
6	5.00(.197)	7.9(.311)	6.50(.256)	6.7(.264)

Ordering Code:

CI14 ** M 1 H R N - NH*
 ① ② ③ ④ ⑤ ⑥ ⑦ ⑧

- ① Series No.
- ② No. of Circuits:
- ③ M= SMT type header
- ④ Plating: 1= 3.05um(120u") ~ 4.88um(192u")
Matte Tin over 1.27um(50u") Nickel
- ⑤ Type: H= Side Entry
- ⑥ Packing Options: R= Tape & Reel packing
- ⑦ Option: N= Strengthen Type
- ⑧ Other option:
 -NH= For Lead Free IR Processes and Halogen-Free(Color Nature)
 -NH1= For Lead Free IR Processes and Halogen-Free(Color Black)



Halogen-Free Lead Free Process RoHS compliant

④	③	②	①	SYM	NAME	DATE	REVISIONS	APPROVED BY:	DATE	UNIT: mm / inch	TITLE: 1.00MM(.039") WIRE TO BOARD CONNECTOR	MATERIAL:	FINISH:	DRAWING NO.	C114137SD	PART NO.	C114**M1HRN-NH C114**M1HRN-NH1	SCALE	8 / 1	SHEET	1 OF 2		
	Amy	12/20-23'	ECNT123179/ECRB123029					DRAWN BY:	Amy	12/20-23'	TOLERANCE UNLESS OTHERWISE SPECIFIED												
	Karen	6/05-23'	ECNT123124/ECRT123034				ENGINEER:	Sun	12/20-23'	.X ± 0.25/.010													X' ± 1'
	Karen	10/2-21'	ECNT121241/ECRT121064				CHECKED BY:	Eisley	12/20-23'	.XX ± 0.15/.006													.X' ±
							APPROVED BY:	Eisley	12/20-23'	.XXX ± 0.08/.003													.XX' ±

东莞市溪榜电子有限公司
 DONG GUAN XI BANG ELECTRONICS CO., LTD.

