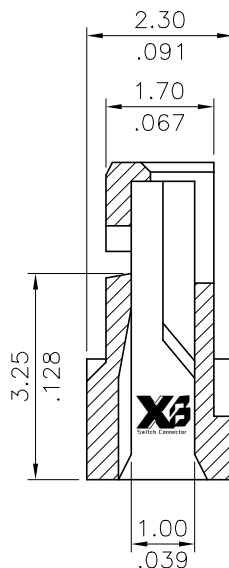
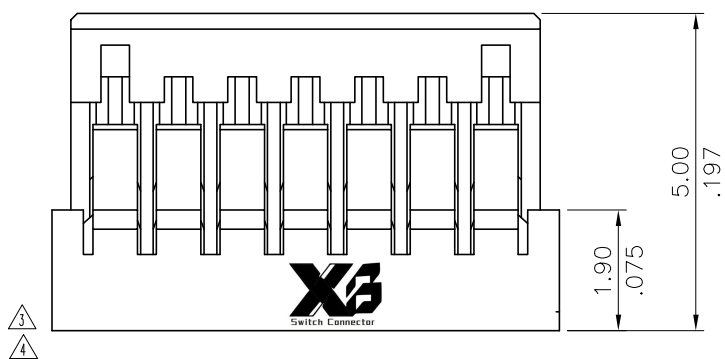
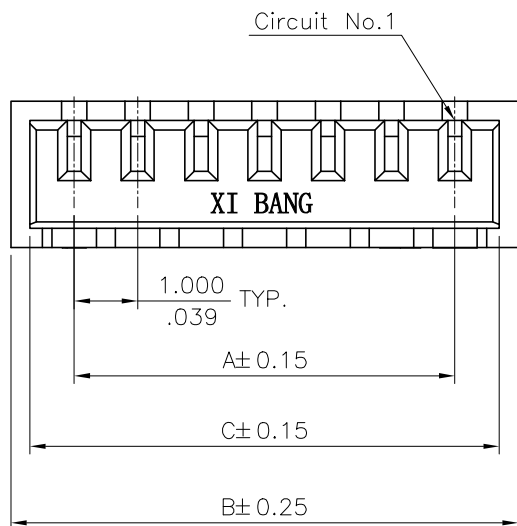


Material:
Glass filled polyester UL 94V-0,
Color Nature

Ordering Code

CI14 ** S 0000 - NH
① ② ③ ④ ⑤

- ① Series No.
- ② No. of Circuits: 2~20 Pin
- ③ S= Connector housing
- ④ Other option:
0000= Standard
- ⑤ Other option:
-NH= Halogen-Free



Circuits	Dimension		
	A	B	C
2	1.0(.039)	3.0(.118)	2.4(.094)
3	2.0(.079)	4.0(.157)	3.4(.134)
4	3.0(.118)	5.0(.197)	4.4(.173)
5	4.0(.157)	6.0(.236)	5.4(.213)
6	5.0(.197)	7.0(.276)	6.4(.252)
7	6.0(.236)	8.0(.315)	7.4(.291)
8	7.0(.276)	9.0(.354)	8.4(.331)
9	8.0(.315)	10.0(.394)	9.4(.370)
10	9.0(.354)	11.0(.433)	10.4(.409)
11	10.0(.394)	12.0(.472)	11.4(.449)
12	11.0(.433)	13.0(.512)	12.4(.488)
13	12.0(.472)	14.0(.551)	13.4(.528)
14	13.0(.512)	15.0(.591)	14.4(.567)
15	14.0(.551)	16.0(.630)	15.4(.606)
16	15.0(.591)	17.0(.669)	16.4(.646)
17	16.0(.630)	18.0(.709)	17.4(.685)
18	17.0(.669)	19.0(.748)	18.4(.724)
19	18.0(.709)	20.0(.787)	19.4(.764)
20	19.0(.748)	21.0(.827)	20.4(.803)

Halogen-Free

RoHS Compliant

SYM	NAME	DATE	REVISIONS	APPROVED BY:	DATE	UNIT: mm / inch	TITLE:	DRAWING NO. CI1405SD PART NO. CI14**S0000-NH		
④	Enya	6/4-13'	ECN13127-0/ECR13006-2			UNIT: mm / inch	CI14 SERIES HOUSING	东莞市溪榜电子有限公司 DONG GUAN XI BANG ELECTRONICS CO., LTD.		
③	Sun	4/01-11'	ECR11003-2/ECN11063	DRAWN BY: Enya	6/4-13'	TOLERANCE UNLESS OTHERWISE SPECIFIED				
②	Sun	11/25-09'	ECN09565	ENGINEER: Eisley	6/7-13'	.X ± 0.25/.010 X: ± 1'	MATERIAL:	SCALE 8 / 1 SHEET 1 OF 1		
①	Eager	6/18-09'	ECN09310	CHECKED BY: Eisley	6/7-13'	.XX ± 0.15/.006 X: ±				
				APPROVED BY: David	6/7-13'	.XXX ± 0.08/.003 XX ±	FINISH:			