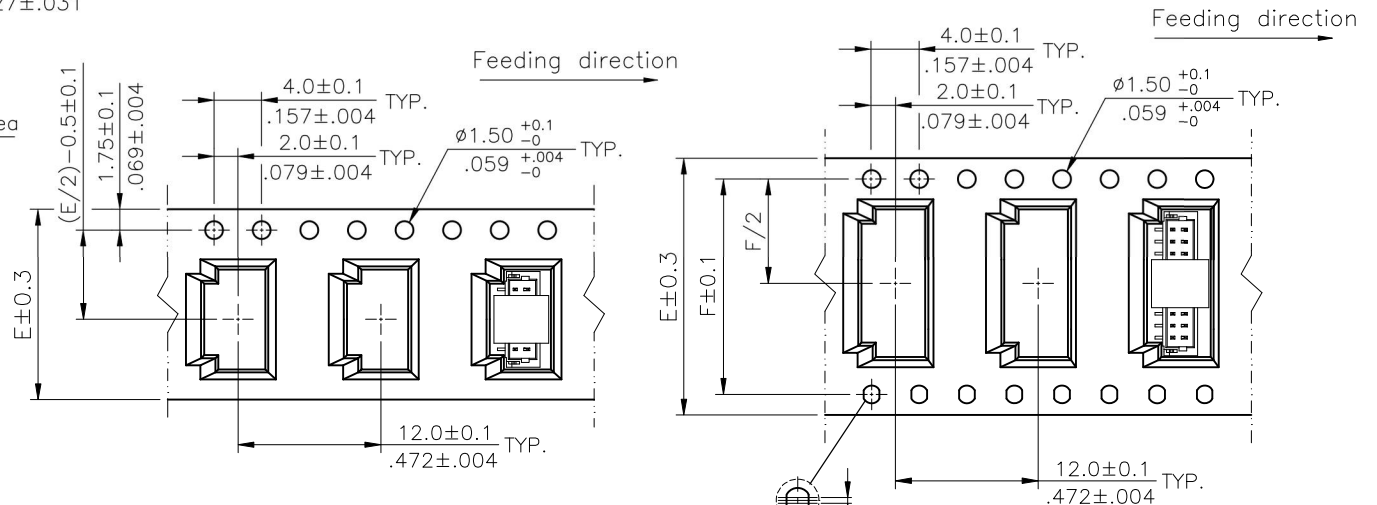
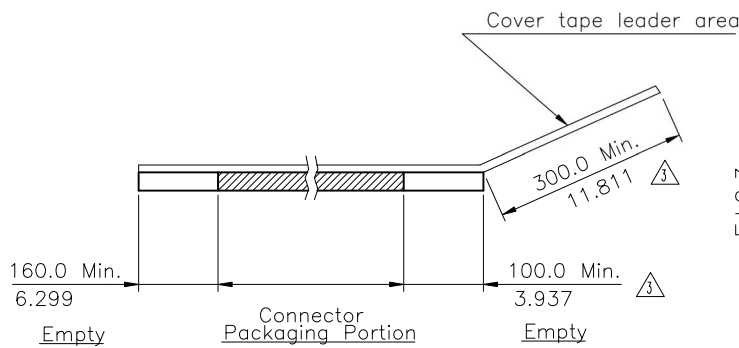


NOTE :

- △△ \* Reel Material : HIPS
- \* Carrier Material : Clear, Conductive Polystyrene Alloy
- \* Cover Tape Material : Polyester
- \* Cover Tape Peel Strength : 0.1N – 1.3N
- \* Carrier camber is within 1mm in 100mm
- \* All dimensions meet EIA-481-2 & EIA-481-3 requirements.
- \* Quantity : 1000 PCS/Reel

Circuits	Dimension					Packing (Reel/Carton)
	E	F	W1	W2	W3	
2~6	16.0(.630)	-	16.5(.650)	22.5(.886)	16.5(.650)	11
7~13	24.0(.945)	-	24.5(.965)	30.5(1.201)	24.5(.965)	9
14~18	32.0(1.260)	28.40(1.118)	32.5(1.280)	38.5(1.516)	32.5(1.280)	7
20,26	44.0(1.732)	40.40(1.591)	44.5(1.752)	50.5(1.988)	44.5(1.752)	5



WIDTH : 16,24 mm Carrier

WIDTH : 32,44 mm Carrier

RoHS Compliant

SYM	NAME	DATE	REVISIONS	APPROVED BY:	DATE	UNIT: mm / inch	TITLE:	MATERIAL:	FINISH:	DRAWING NO.	PART NO.	SHEET 2 OF 2
5	Sun	6/10-21	ECRH121018/ECNT121139				1.00MM(.079")					
4	Sun	7/15-20	ECRH120028/ECNT120184	DRAWN BY:	Sun	6/11-21	WIRE TO BOARD CONNECTOR					
3	Ellie	12/19-14	ECNT114252/ECRT114090	ENGINEER:	Sun	6/11-21						
2	Enya	11/11-13	ECNT113103/ECRB113027	CHECKED BY:	David	6/11-21						
				APPROVED BY:	David	6/11-21						

**东莞市溪榜电子有限公司**  
DONG GUAN XI BANG ELECTRONI CS CO., LTD.