

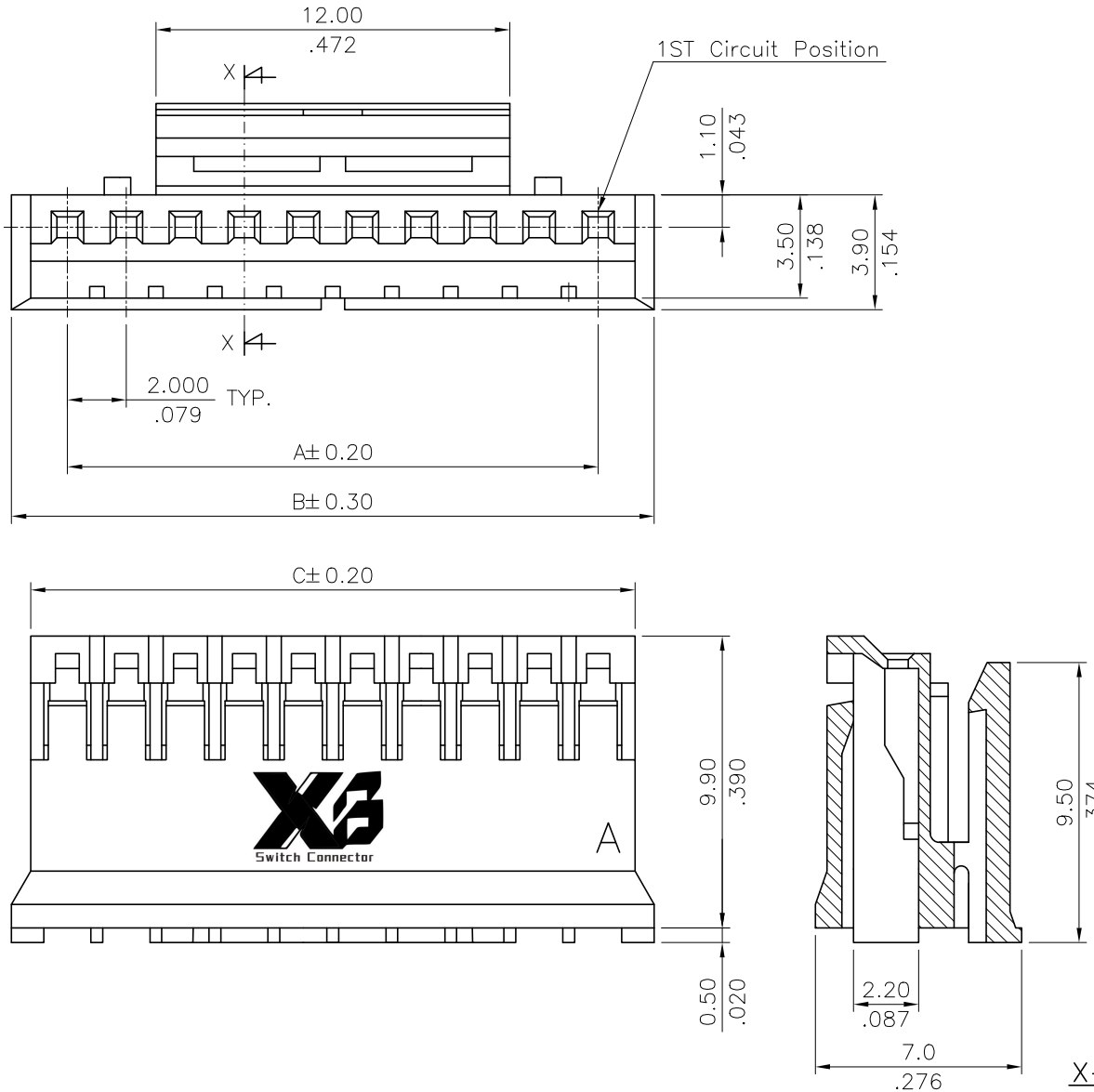
Note:

\* Material: Nylon 66 UL 94V-0  
(Halogen-Free)

### Ordering Code

$\frac{CI01}{①}$     $\frac{**}{②}$     $\frac{S}{③}$     $\frac{00L}{④}$     $\frac{C}{⑤}$

- ① Series No.
- ② No. of Circuits:
- ③ S= Connector housing
- ④ Other option: 00L= With Latch
- ⑤ C= Mate crimp terminal P/N: CI01T011PE0



Circuits	Dimension		
	A	B	C
10	18.00(.709)	21.8(.858)	20.50(.807)
12	22.00(.866)	25.8(1.016)	24.50(.965)
14	26.00(1.024)	29.8(1.173)	28.50(1.122)
16	30.00(1.181)	33.8(1.331)	32.50(1.280)

Halogen-Free

RoHS Compliant

SYM	NAME	DATE	REVISIONS	APPROVED BY:	DATE	UNIT: mm / inch	TITLE: 2.00MM(.079") CRIMP TERMINAL HOUSING	MATERIAL:	FINISH:	DRAWING NO.	PART NO.	SHEET	OF	1
4					DATE	UNIT: mm / inch	TITLE: 2.00MM(.079") CRIMP TERMINAL HOUSING	MATERIAL:	FINISH:	DRAWING NO.	PART NO.	SHEET	OF	1
3				DRAWN BY: Clark	2/22-13'	TOLERANCE UNLESS OTHERWISE SPECIFIED								
2				ENGINEER: Eisley	2/26-13'	.X ± 0.30/012	X: ± 1'							
1	Clark	02/22-13	ECN13049-0	CHECKED BY: Eisley	2/26-13'	.XX ± 0.20/008	.X ±							
				APPROVED BY: David	2/26-13'	.XXX ± 0.10/004	.XX ±							


**东莞市溪榜电子有限公司**  
 DONG GUAN XI BANG ELECTRONICS CO., LTD.

DRAWING NO. **CI0181BA**   PART NO. **CI01\*\*SO0LC**  
 SCALE **4 / 1**   SHEET **1** OF **1**