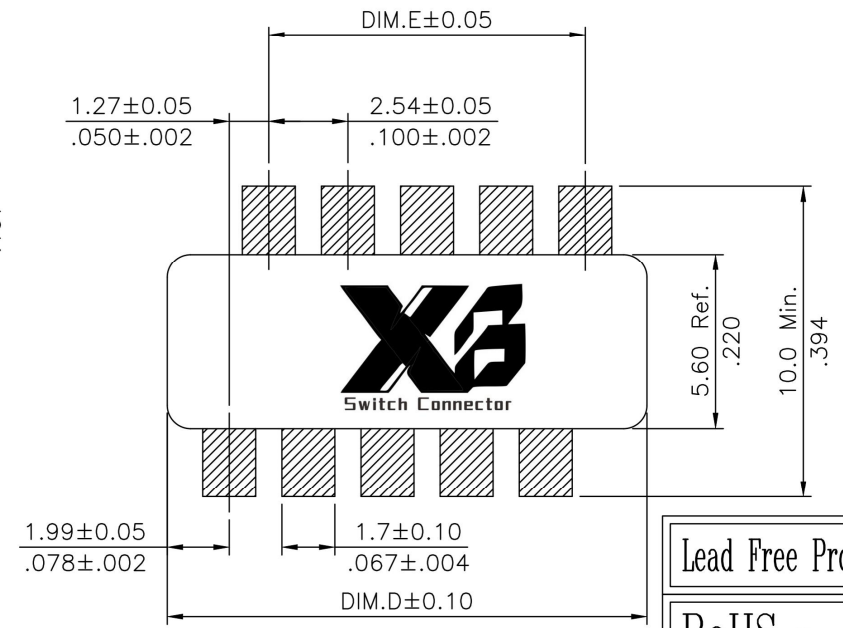
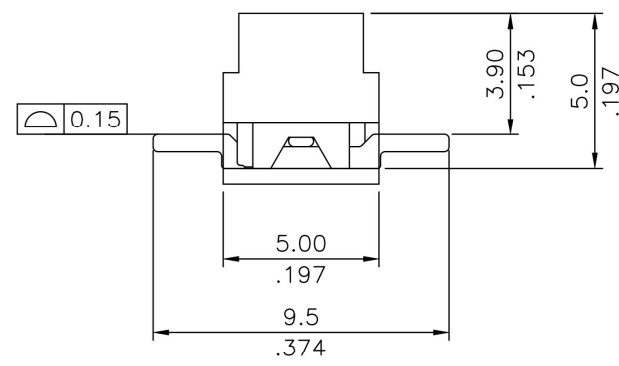
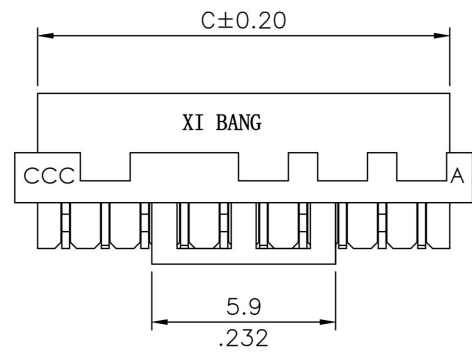


Material:
 * Insulation:
 High Temperature Plastic UL 94V-0
 * Contact: Phosphor Bronze

Ordering Code:

CA32 ** M 2 3 0 A
 ① ② ③ ④ ⑤ ⑥ ⑦


- ① Series No.:
- ② No. of Circuits: 04 to 26
- ③ Contacts Type: M= SMT Type
- ④ Plating option:
 2= Gold flash plated over
 1.27μm(50μ") Nickel
- ⑤ Color: 3= Red
- ⑥ Pad Option: 0= With Pad (Reel Packing)
- ⑦ Other Options: A= Special type

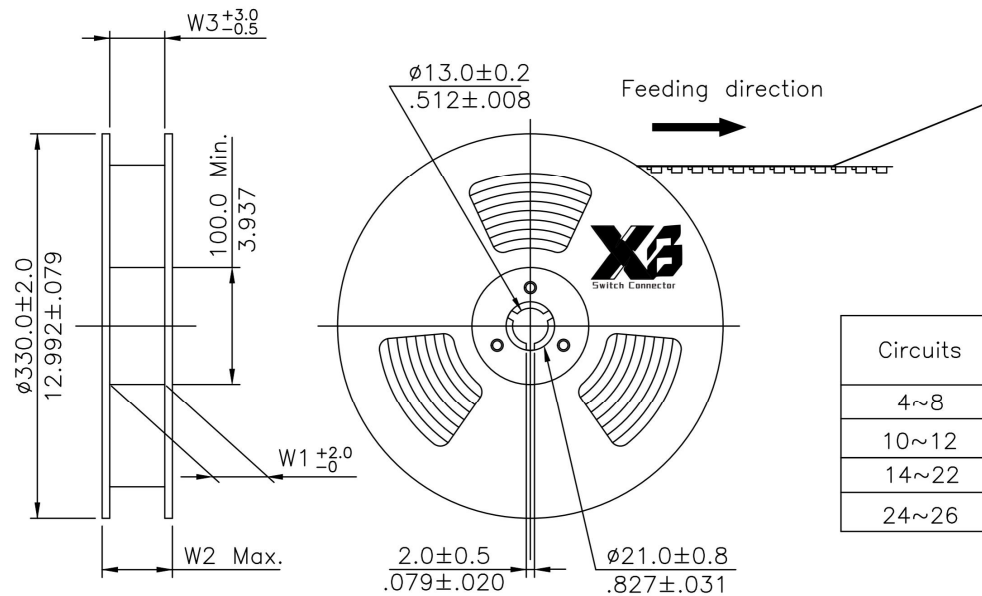


DIM.A= 1.27 x No. of Spaces
 DIM.B= DIM.A + 3.28
 DIM.C= DIM.A + 1.80
 DIM.D= DIM.A + 3.97
 DIM.E= DIM.A - 1.27
 *Available in 4 ~ 26 Circuits

Lead Free Process
 RoHS Compliant

Recommended P.C. Board Layout

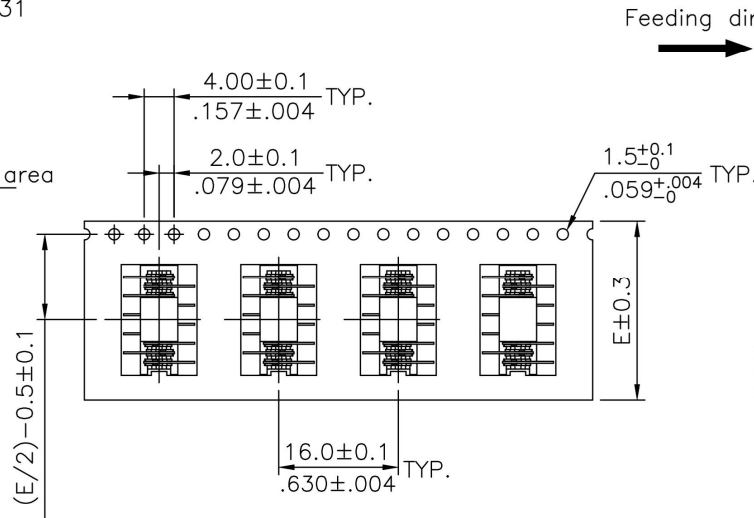
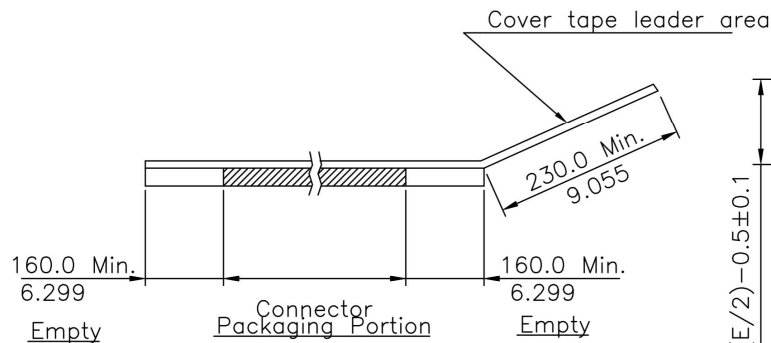
④					DATE	UNIT: mm / inch	TITLE: 1.27mm Pitch Female Top entry SMT Type Connector	 东莞市溪榜电子有限公司 DONG GUAN XI BANG ELECTRONICS CO., LTD.
③				DRAWN BY: Jack	11/17-23'	TOLERANCE UNLESS OTHERWISE SPECIFIED	MATERIAL:	
②	Jack	11/17-23'	ECNT123267	ENGINEER: Sun	11/17-23'	.X ± 0.3/.012 X' ± 1'	FINISH:	DRAWING NO. CA3232SB PART NO. CA32**M230A
①	Kenny	10/8-20'	ECRT120057/ECNT120268	CHECKED BY: Eisley	11/17-23'	.XX ± 0.2/.008 .X' ±	SCALE 4 / 1	SHEET 1 OF 2
SYM	NAME	DATE	REVISIONS	APPROVED BY: Eisley	11/17-23'	.XXX ± 0.1/.004 .XX' ±		



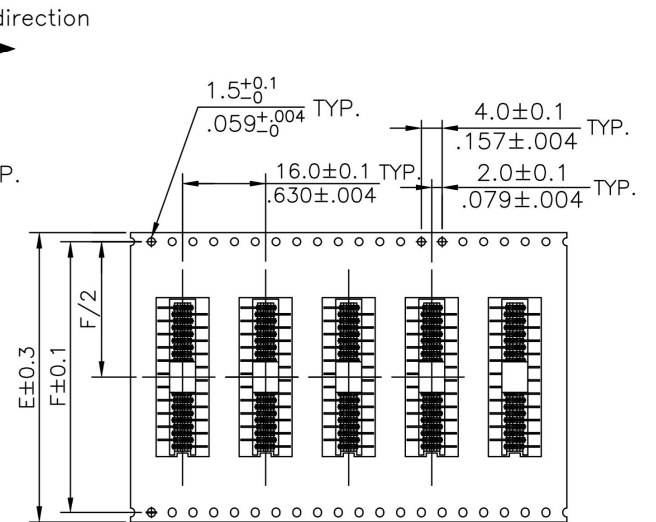
NOTES:

1. Reel Material: HIPS
2. 10 sprocket hole pitch cumulative tolerance $\pm 0.20\text{mm}$.
3. Carrier camber not to exceed 1 mm in 100 mm.
4. Material :Transparent Anti-static Polysyrene.
5. All dimensions meet EIA-481 requirements.
6. Thickness : $0.40\pm 0.05\text{mm}$.
7. Quantity : 600 pcs.

Circuits	Dimension					Packing (Reel/Carton)
	E	F	W1	W2	W3	
4~8	24.0(.945)	-	24.5(.965)	30.5(1.201)	24.5(.965)	9
10~12	32.0(1.260)	28.40(1.118)	32.5(1.280)	38.5(1.516)	32.5(1.280)	7
14~22	44.0(1.732)	40.40(1.596)	44.5(1.752)	50.5(1.988)	44.5(1.752)	5
24~26	56.0(2.205)	52.40(2.063)	56.5(2.224)	62.5(2.461)	56.5(2.224)	4




WIDTH : 24 mm Carrier



WIDTH : 32.44.56 mm Carrier

RoHS Compliant

4					DATE	UNIT: mm / inch	TITLE: 1.27mm Pitch Female Top entry SMT Type Connector	 东莞市溪榜电子有限公司 DONG GUAN XI BANG ELECTRONICS CO., LTD.
3				DRAWN BY: Jack	11/17-23'	TOLERANCE UNLESS OTHERWISE SPECIFIED	MATERIAL:	
2	Jack	11/17-23'	ECNT123267	ENGINEER: Sun	11/17-23'	.X ±	.X' ± 1'	DRAWING NO. CA3232SB
1	Kenny	10/8-20'	ECRT120057/ECNT120268	CHECKED BY: Eisley	11/17-23'	.XX ±	.X' ±	PART NO. CA32**M230A
SYM	NAME	DATE	REVISIONS	APPROVED BY: Eisley	11/17-23'	.XXX ±	.XX' ±	SCALE
								SHEET 2 OF 2