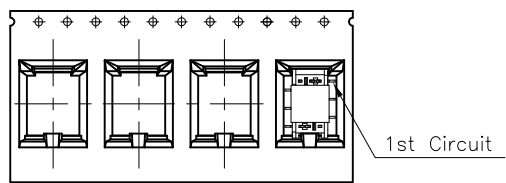
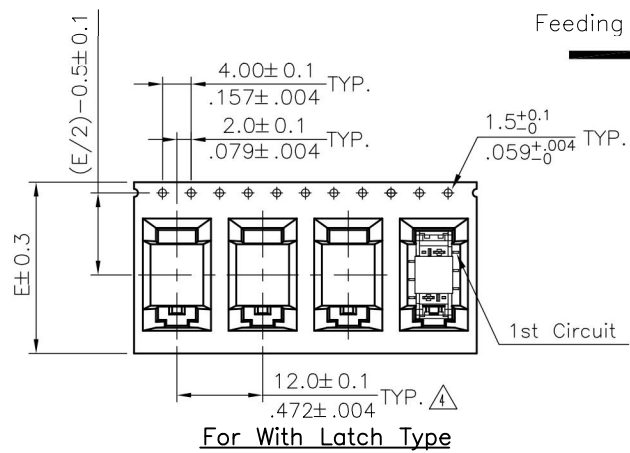
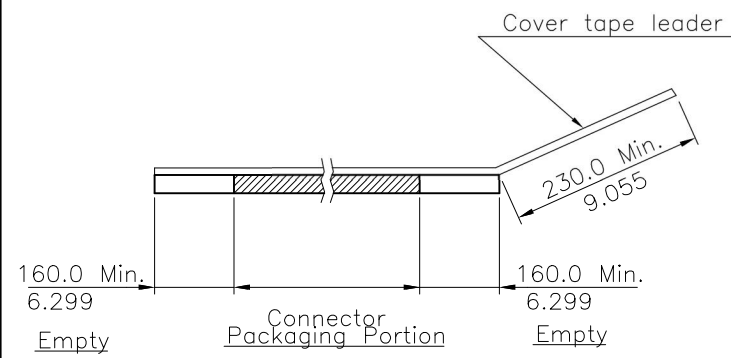


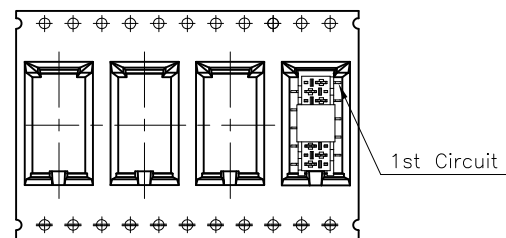
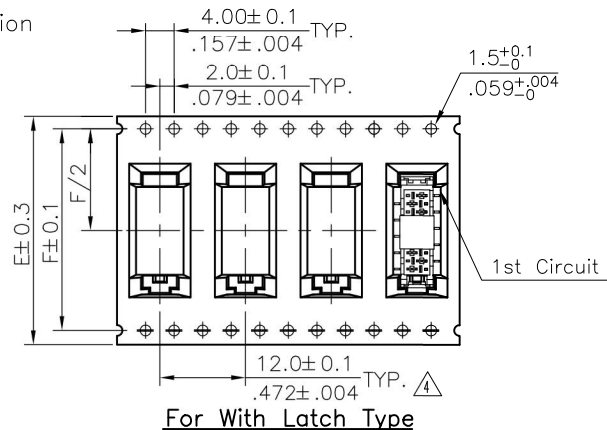
NOTES:

1. 10 sprocket hole pitch cumulative tolerance ± 0.20 mm.
2. Carrier camber not to exceed 1 mm in 100 mm.
3. Material :Transparent Anti-static Polysyrene.
4. All dimensions meet EIA-481-3 requirements.
5. Thickness : 0.40 ± 0.05 mm.
6. Packing length per 22" Reel : 30.6 Meters.
7. Component load per 13" Reel : 800 pcs.

P/N:CA32**M13*0		P/N:CA32**M13*L		Dimension			Packing (Reel/Caton)
Circuits		E	F	W1	W2	W3	
4~8	4~8	24.0(.945)	-	24.5(.965)	30.5(1.201)	24.5(.965)	9
10~14	10	32.0(1.260)	28.40(1.118)	32.5(1.280)	38.5(1.516)	32.5(1.280)	7
16~22	12~20	44.0(1.732)	40.40(1.596)	44.5(1.752)	50.5(1.988)	44.5(1.752)	5
24~26	22~26	56.0(2.205)	52.40(2.063)	56.5(2.224)	62.5(2.461)	56.5(2.224)	4



For Without Latch Type
WIDTH : 24 mm Carrier



For Without Latch Type
WIDTH : 32.44.56 mm Carrier

RoHS Compliant

SYM	NAME	DATE	REVISIONS	APPROVED BY:	Eisley	11/25-16'	UNIT: mm / inch	TITLE: 1.27mm Pitch Female Top entry SMT Type Connector	MATERIAL:	FINISH:	DRAWING NO. CA3203SH	PART NO. CA32**M13**	SCALE	SHEET 2 OF 2
△6	Sun	3/11-16'	ECRT116009/ECNT116035	DATE			UNIT: mm / inch							
△5	Sun	5/04-12'	ECN12080-0/ECR12003-1	DRAWN BY:	Sun	11/21-16'	TOLERANCE UNLESS OTHERWISE SPECIFIED							
△4	Sun	7/28-10'	ECN10269/ECR10097-0	ENGINEER:	Sun	11/21-16'	.X ±	X' ± "						
△3	Sandy	4/02-08'	ECN08159	CHECKED BY:	Eisley	11/25-16'	.XX ±	.X' ±						
				APPROVED BY:	Eisley	11/25-16'	.XXX ±	.XX' ±						

XB 东莞市溪榜电子有限公司
Switch Connector DONG GUAN XI BANG ELECTRONI CS CO., LTD.