

1 2 3 4 5 6 7 8 9

F

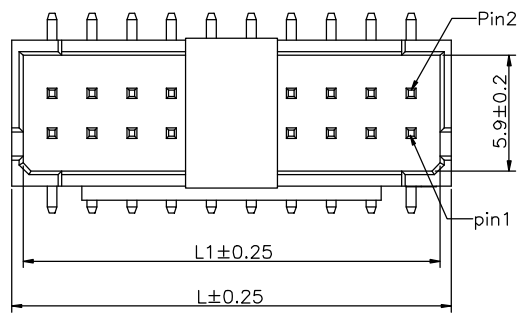
E

D

C

B

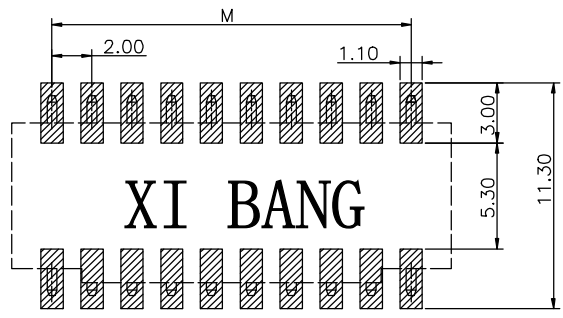
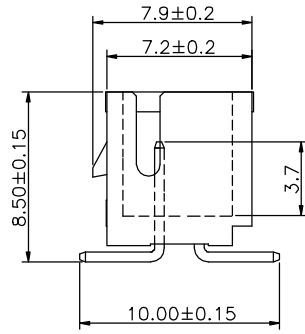
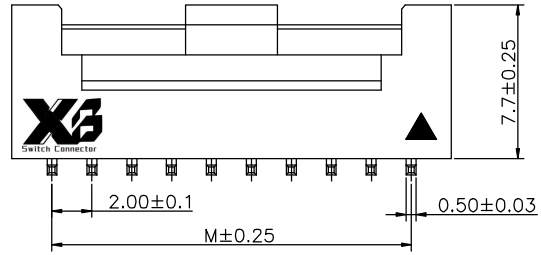
A



Specifications

Current Rating:3Amp AC/DC  
 Voltage Rating:250V AC/DC  
 Contact Resistance:30mΩ Max.  
 Insulation Resistance:1000MΩ Min.  
 Dielectric Withstanding Voltage:1000VAC  
 Temperature Range:-40°C to +105°C  
 Materials  
 Contact Material:Brass  
 Insulator Material:PA46 UL 94V-0  
 All materials must meet XI BANG  
 hazardous substances control standards.

CIRCUITS	DIM M	DIM L	DIM L1
02	2.00	6.00	4.90
03	4.00	8.00	6.90
04	6.00	10.00	8.90
05	8.00	12.00	10.90
06	10.00	14.00	12.90
07	12.00	16.00	14.90
08	14.00	18.00	16.90
09	16.00	20.00	18.90
10	18.00	22.00	20.90
11	20.00	24.00	22.90
12	22.00	26.00	24.90
13	24.00	28.00	26.90
14	26.00	30.00	28.90
15	28.00	32.00	30.90
16	30.00	34.00	32.90
17	32.00	36.00	34.90
18	34.00	38.00	36.90
19	36.00	40.00	38.90
20	38.00	42.00	40.90
30	58.00	62.00	60.90



PCB LAYOUT(±0.05)

Ordering Information

XB-X20-PCB-202-A001- XX XX A 001 F X Z X

No. of Pins per Row 02~20,30      Standard Plating 01=Tin 22=Matte Tin      Color 2=White      Standard Packing F=CAP+Tape&Reel

**XB** 东莞市溪榜电子有限公司  
 DONG GUAN XI BANG ELECTRONICS CO., LTD

REV.	UNIT.	SCALE.	PAGE.	
A	mm	1:1	1/1	

GENERAL TOLERANCE	
X.±	X.±
.X'±	.X±0.25
.XX'±	.XX±0.15
.XXX'±	.XXX±0.10

DESIGNED:  
CHECKED:  
APPROVED:

DATE:  
DATE:  
DATE:

DWG. NO.  
XB-X20-PCB-202-A001  
PART NO.

TITLE.  
2.0mm pitch 180° double row wafer smt type

1 2 3 4 5 6 7 8 9

F

E

D

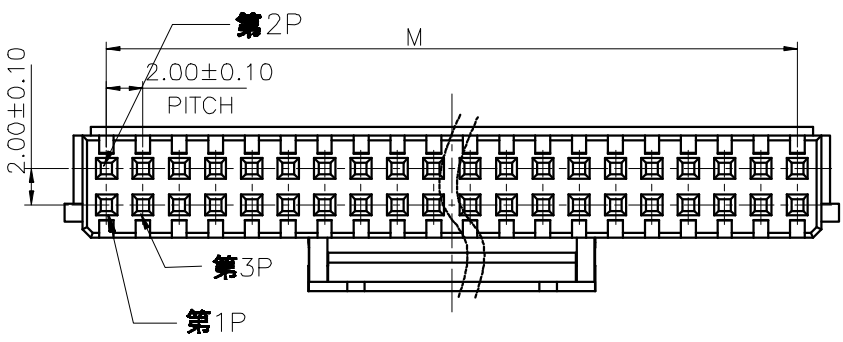
C

B

A

1 2 3 4 5 6 7 8 9

F



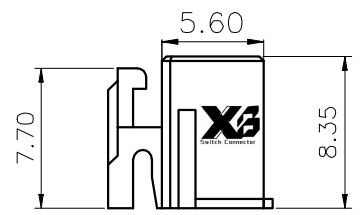
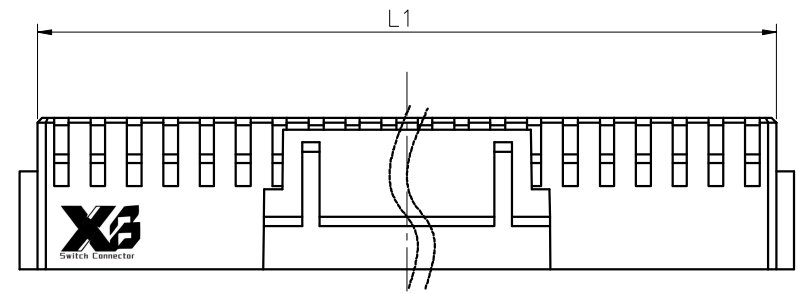
Specifications:  
 Current rating:3A AC/DC.  
 Voltage rating:250V AC/DC  
 Temperature range:-40°C~+105°C.  
 Contact resistance:30mΩ Max.  
 Insulation resistance:1000MΩ Min.  
 Withstanding voltage: 1000V AC/minute.  
 Material:PA66.UL94V-0.

E

E

D

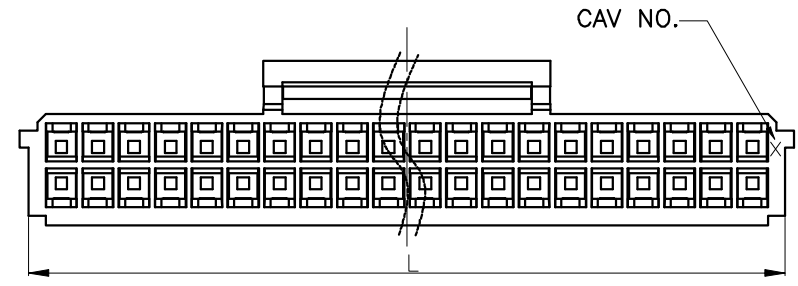
D



No. of Pin/Row	Dimensions		
	M	L1	L
02	2.00	4.60	5.60
03	4.00	6.60	7.60
04	6.00	8.60	9.60
05	8.00	10.60	11.60
06	10.00	12.60	13.60
07	12.00	14.60	15.60
08	14.00	16.60	17.60
09	16.00	18.60	19.60
10	18.00	20.60	21.60
11	20.00	22.60	23.60
12	22.00	24.60	25.60
13	24.00	26.60	27.60
14	26.00	28.60	29.60
15	28.00	30.60	31.60
16	30.00	32.60	33.60
17	32.00	34.60	35.60
18	34.00	36.60	37.60
19	36.00	38.60	39.60
20	38.00	40.60	41.60

C

C



**XB-X20-PCB-202-A001M - XX A X**

**No. of Pin/Row**  
02 ~ 20

**Material/Color**  
M=Nylon66/White  
M1=Nylon66/Black

A

A

东莞市溪榜电子有限公司 DONG GUAN XI BANG ELECTRONICS CO., LTD	3RD.ANG PROJ. PAGE. 1/1	GENERAL TOLERANCE		DESIGNED:	DATE:	DWG. NO. XB-X20-PCB-202-A001M	TITLE. <b>2.00mm Pitch Housing</b>				
		X.停 / X.?						CHECKED:	DATE:		
		.X停 / .X?.25								APPROVED:	DATE:
		.XX停 / .XX?.20									
.XXX停 / .XXX?. 15											

1 2 3 4 5 6 7 8 9

F

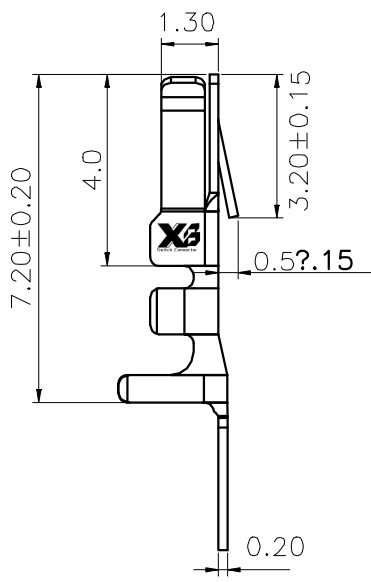
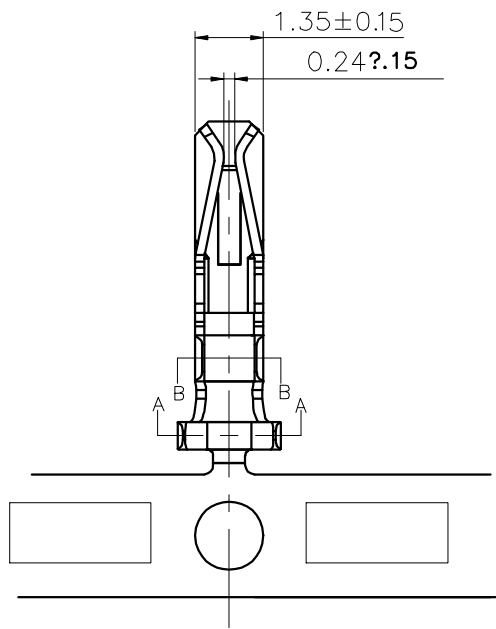
E

D

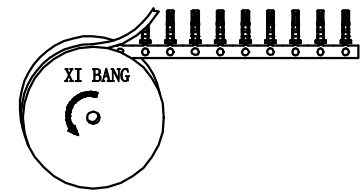
C

B

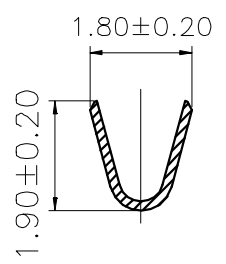
A



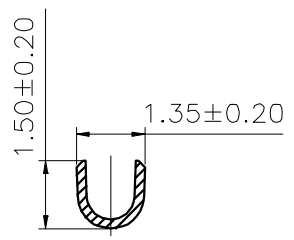
- NOTES:
- 1.Contact Material: Phosphor Broze
  - 2.Wire Range:AWG#22-#28 1.50mm(Max)
  3. Retention force : 1.5kgf MIN.
  - 4.Q'ty/reel:12000PCS



电镀后的收料方向  
(打线开口朝外)



SECTION: (A-A)



SECTION: (B-B)

## Ordering Information

**XB-X20-PCB-202-A001D XX**

**AB**

Standard Plating  
01=Tin  
02=Gold Flash

Materials  
AB=Phosphor Bronze

**XB** 东莞市溪榜电子有限公司  
DONG GUAN XI BANG ELECTRONICS CO., LTD

3RD.ANG PROJ.

SCALE: 1:1

UNIT: mm

REV. A

3RD.ANG PROJ.

PAGE. 1/1

GENERAL TOLERANCE	
X. 倍 /	X. ?
.X 倍 /	.X ? .30
.XX 倍 /	.XX ? .25
.XXX 倍 /	.XXX ? . 15

DESIGNED:

CHECKED:

APPROVED:

DATE:

DATE:

DATE:

DWG. NO.  
XB-X20-PCB-202-A001D

PART NO.

TITLE.  
**2.00mm Pitch Terminal**