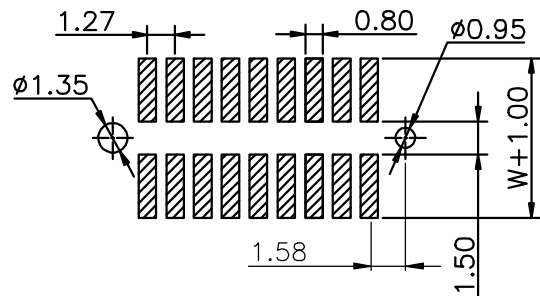
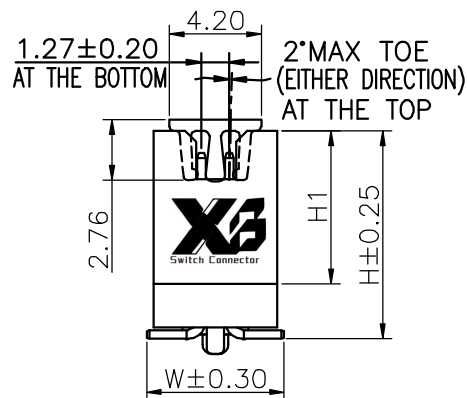
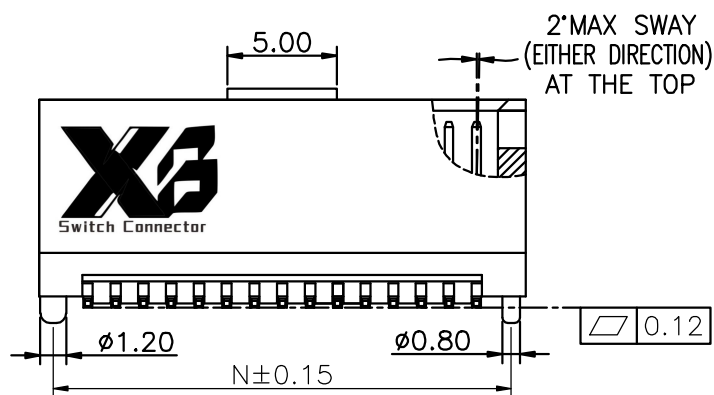


Recommended P.C.Board Layout
(Tolerance:±0.05)



Specifications
Current Rating:1.0Amp
Insulation Resistance:1000MΩMin.
Dielectric Withstanding Voltage:300VAC
Contact Resistance:20mΩMax.
Operating Temperature:-40°C to +105°C
Materials
Contact Material:Brass
Insulator Material:High Temperature Thermoplastic, UL 94V-0 LCP or the equivalent material
All materials must meet XI BANG hazardous substances control standards.



No. of PIN/ROW	Dimension Information			
	M	L1	L	N
05	5.08	6.95	9.55	8.23
06	6.35	8.22	10.82	9.50
07	7.62	9.49	12.09	10.77
08	8.89	10.76	13.36	12.04
09	10.16	12.03	14.63	13.31
10	11.43	13.30	15.90	14.58
11	12.70	14.57	17.17	15.85
12	13.97	15.84	18.44	17.12
13	15.24	17.11	19.71	18.39
14	16.51	18.38	20.98	19.66
15	17.78	19.65	22.25	20.93
16	19.05	20.92	23.52	22.20
17	20.32	22.19	24.79	23.47
18	21.59	23.46	26.06	24.74
19	22.86	24.73	27.33	26.01
20	24.13	26.00	28.60	27.28
21	25.40	27.27	29.87	28.55
22	26.67	28.54	31.14	29.82
23	27.94	29.81	32.41	31.09
24	29.21	31.08	33.68	32.36
25	30.48	32.36	34.95	33.63
26	31.75	33.62	36.22	34.90
27	33.02	34.89	37.49	36.17
28	34.29	36.16	38.76	37.44
29	35.56	37.43	40.03	38.71
30	36.83	38.70	41.30	39.98
31	38.10	39.97	42.57	41.25
32	39.37	41.24	43.84	42.52
33	40.64	42.51	45.11	43.79
34	41.91	43.78	46.38	45.06
35	43.18	45.05	47.65	46.33
36	44.45	46.32	48.92	47.60
37	45.72	47.59	50.19	48.87
38	46.99	48.86	51.46	50.14
39	48.26	50.13	52.73	51.41
40	49.53	51.40	54.00	52.68

Ordering Information

XB-JN-127-244 XX - XX XX B XXX C 1 Z X

Plastic specifications
1=Single row
2=Dual row
3=Tripe row
4=Quadruple

Water code
43:H=11.70
44:H=9.50
45:H=11.20
46:H=16.10
47:H=15.70
48:H=14.60
49:H=9.90
50:H=12.70
51:H=10.10
53:H=10.80
54:H=12.00
55:H=11.50

58:H=14.70
59:H=19.40
62:H=10.90
64:H=10.70
65:H=17.80
66:H=14.00
67:H=18.10
68:H=19.10

Positioning column information
A=No locating post
B=Round post
C=Square post

Plating code
01=Tin
02=Gold Flash
05=Gold Flash/Tin
22=Matte Tin

Pin length
See the drawing

Insulator Material
R=Nylon(Halogen Free)
C=LCP

Color
1=Black
2=White
3=Yellow
E=Beige

Contact Material
A/S/K/T=Phosphor Bronze
B/Z/H/W=Brass

Packing code
C=Tube
D=Tape&Reel
E=Cap+Tube
F=Cap+Tape&Reel
G=Acetate Tape+Tube
H=Acetate Tape+Tape&Reel

No. of Pins per Row
05~40

REV. 01	UNIT. mm	SCALE. 3:1	PAGE. 1/1		GENERAL TOLERANCE		DESIGNED:	DATE:	DWG. NO. XB-JN-127-244	TITLE. 1.27 BOX HEADER DUAL ROWS SMT TYPE CONNECTOR
					.X'±5.0'	.X±0.30	CHECKED:	DATE:		
					.X'±3.0'	.X±0.25	CO SIGNED:	DATE:	PART NO.	
					.XX'±2.0'	.XX±0.15	APPROVED:	DATE:		
					.XXX'±1.0'	.XXX±0.10				