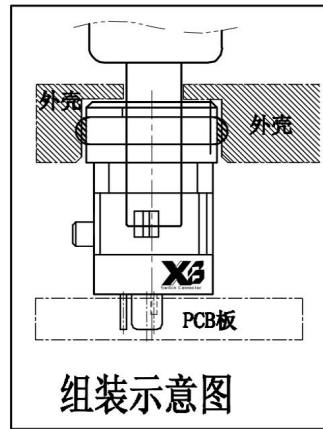
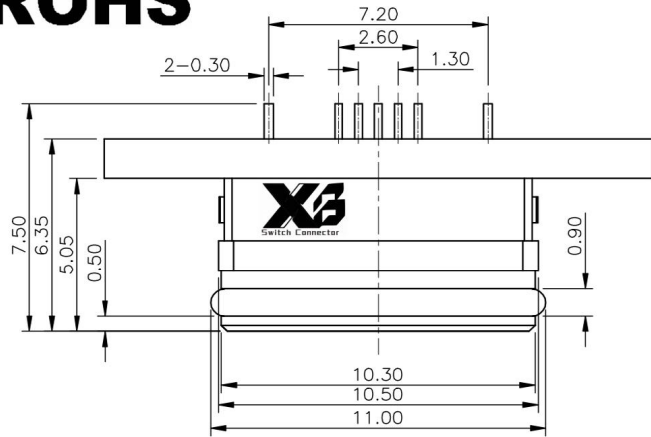
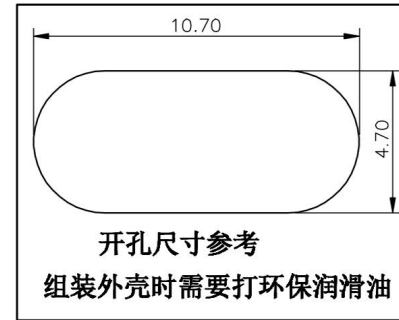


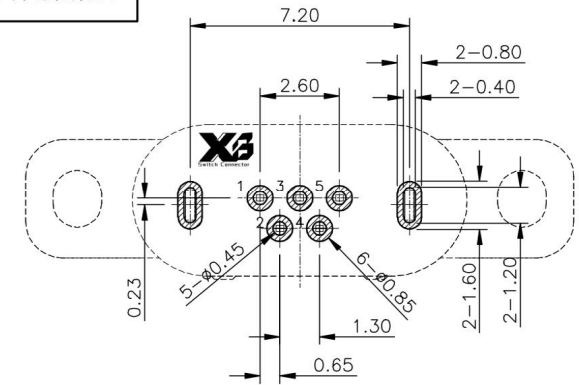
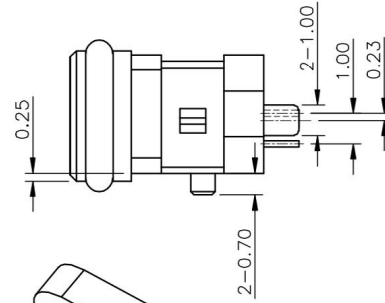
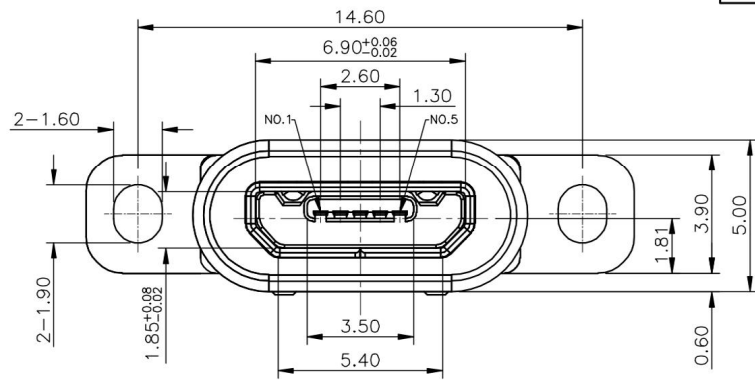
# ROHS



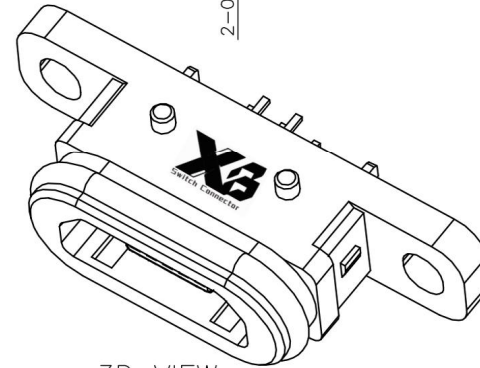
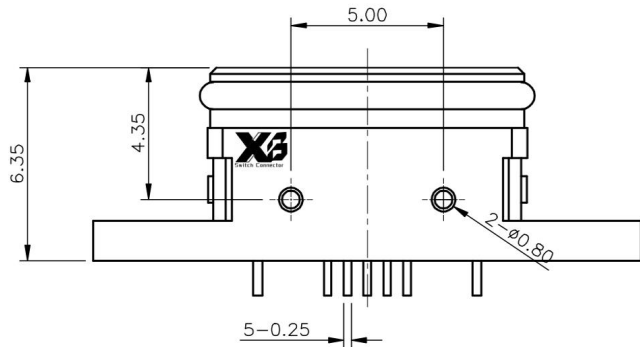
REVISIONS					
REV.	ECN NO.	LOCATION	DESCRIPTION	DATE	DESIGN
X1	NA		INITIAL RELEASE	2018.04.23	WIND



Contact Number	Signal Name	Remarks
1#	VBUS	Power
2#	D-	Date-
3#	D+	Date+
4#	ID	Reserve or Ground
5#	GND	Ground



RECOMMENDED P.C.B. LAYOUT (TOP VIEW)  
GENERAL TOLERANCE: ±0.05



**SPECIFICATIONS:**

- ELECTRICAL CHARACTERISTICS:
  - RATING: 1.5A;
  - CONTACT RESISTANCE: 30 mΩ MAX.(INITIAL);
  - DIELECTRIC WITHSTANDING: 500V AC MIN.;
  - INSULATION RESISTANCE: 1000MΩ MIN.;
- DURABILITY: 5,000 CYCLES MIN.;
- INSERTION FORCE: 3.5Kgf (35N) Max.;
- EXTRACTION FORCE: 0.8Kgf (8N) Min.;
- WATER PROOFNESS: THIS PRODUCT IS BASED ON IPX8.
- PLUG INTERFACE DIMENSIONS COMFORM TO USB2.0 SPEC.
- PACKAGING: TAPE & REEL.

⑥	Oval ring	1	Rubber	Black
⑤	Glue	1	-----	Black
④	Inner shell	1	Copper alloy or stainless	Nickel plated
③	Terminal	5	Copper alloy, 0.15t	Gold Plated On Contact Area.
②	Outer shell	1	High temperature thermoplastic	Black
①	Body	1	High temperature thermoplastic	Black
NO.	DESCRIPTION	QTY	MATERIAL	REMARK

This document is the property of Xi Bang Electronic Technology Co., Ltd.



东莞市溪榜电子有限公司  
DONG GUAN XI BANG ELECTRONICS CO., LTD

Unless otherwise specified, Tolerance:  
X. ±0.30  
X.x ±0.20  
X.xx ±0.15  
X.xxx ±0.10  
Angles ±3°

DESIGN	GAO. PENG	DATE	TITLE:		
CHECKED	HE. LONG. FEI	DATE	MICRO USB 2.0 B TYPE RECEPTACLE		
APPROVED	PANG. DONG	DATE	CUSTOMER DRAWING		
PART NO.	XB-USB-M-5P-1190-250-IPX7	REV.:	X1	SCALE:	6:1
DRAWING NO.		SHEET:	1/1	UNIT:	mm