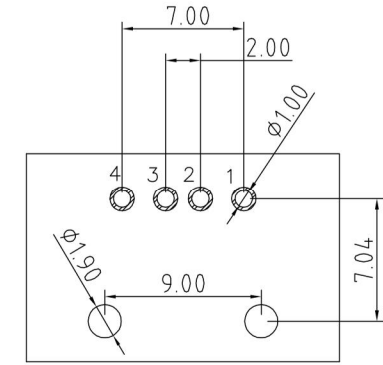
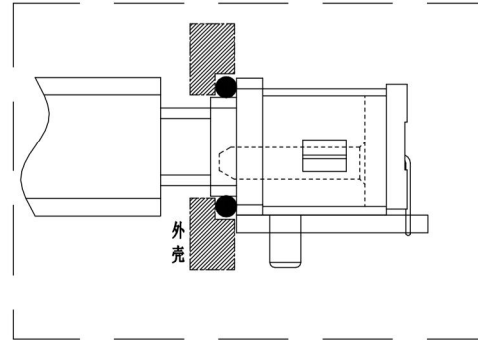
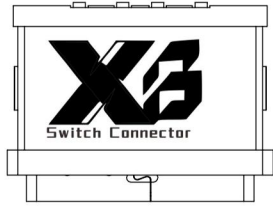


ROHS

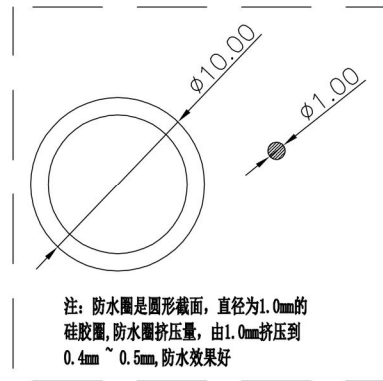
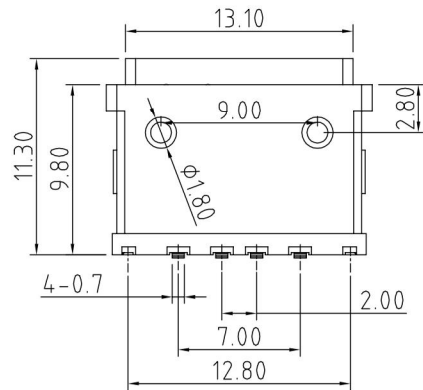
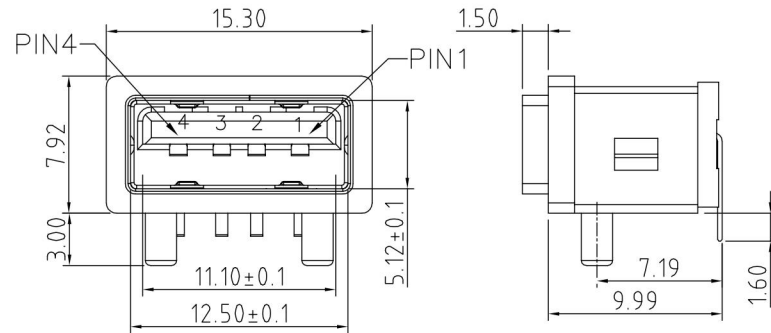
REV.	ECN. NO.	APPD.



RECOMMENDED PCB LAYOUT(TOP VIEW)
 DEFAULT TOLERANCE+/-0.05
 THICKNESS T=1.0mm

PIN ASSIGNMENT

PIN NO.	1	2	3	4
SIGNAL NAME	GND	D+	D-	VBUS



注：防水圈是圆形截面，直径为1.0mm的
 硅胶圈，防水圈挤压力，由1.0mm挤压到
 0.4mm ~ 0.5mm，防水效果好

规格书

1. 额定电流 3.0A
2. 耐电压 500VAC
3. 工作温度范围 -30 °C ~ 85 °C
4. 接触阻抗 接触阻抗 ≤ 30mΩ
5. 绝缘阻抗 绝缘阻抗 ≥ 1000MΩ
6. 插入力 :8N~35N
7. 拔出力 :8N~35N
8. 插拔耐久:1500 CYCLES

ITEM	PART NAME	Q'TY	FINISH	NOTE
3	Shell	1	SUS 301 1/4H	
3	PLASTIC Shell	1	PA9T&LCP (G.F30%)	
2	Contact	4	BRASS C2680-EH Au/Ni Plating T=0.25mm	
1	Housing	1	PA10T (G.F30%)	

X.	±0.50	X.*	±2°	UNITS mm
.X	±0.30	.X.*	±1°	
.XX	±0.10	.XX.*	±0.5°	MAT'L
.XXX	±0.05			
THESE DRAWINGS AND SPECIFICATIONS ARE THE PROPERTY OF XI BANG ELECTRONIC TECHNOLOGY CO., LTD. AND SHALL NOT BE REPRODUCED, COPIED OR USED IN ANY MANNER WITHOUT THE PRIOR WRITTEN CONSENT OF XI BANG ELECTRONIC TECHNOLOGY CO., LTD.				FINISH
				Q'TY

X3 东莞市溪榜电子有限公司
 Switch Connector DONG GUAN XI BANG ELECTRONICS CO., LTD

PART NO. XB-USB-A-4P-1195A-IPX7	TITLE: IP68 防水 USB 2.0 A TYPE
APPD: GAO. PENG	DWG NO.: XB-USB-A-4P-1195A-IPX7
CHKD: HE. LONG. FEI	SCALE SHEET REV. 1/1 1/2 A2
DR: PANG. DONG	