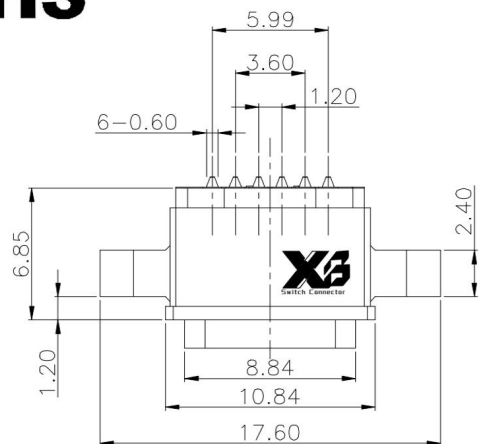
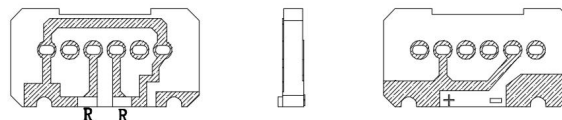


ROHS

REV.	ECN. NO.	APPD.



PCB板示意图:外形尺寸走负公差

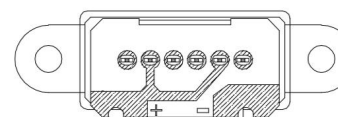
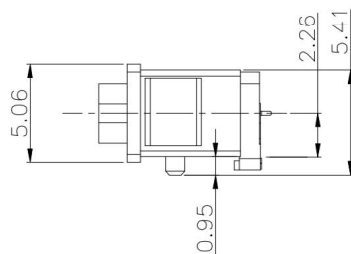
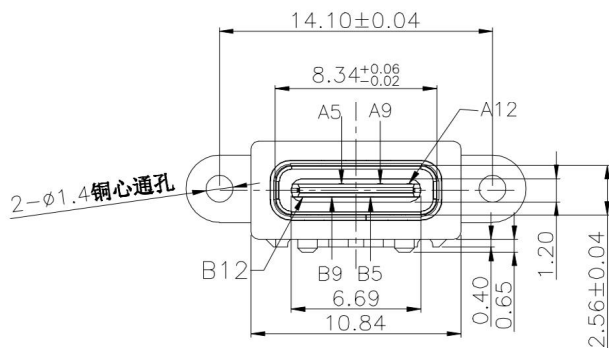


R:2-0402 5.1K欧姆电阻. 包料

Recommended P. C. B. Layout
Unspecified tolerance:±0.05
(Top view)

RECOMMENDED PCB LAYOUT

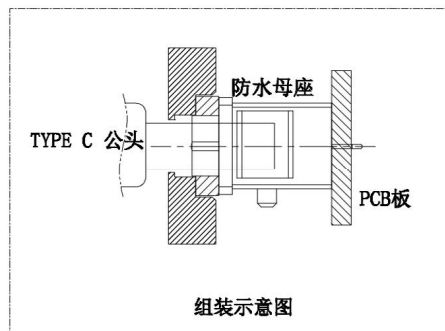
THICKNESS T=1.0mm
DEFAULT TOLERANCE+/-0.05



注: 可根据需要焊接电子线,
长度可定制

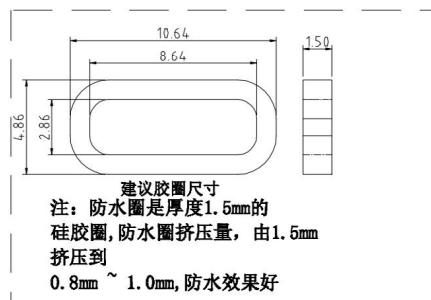
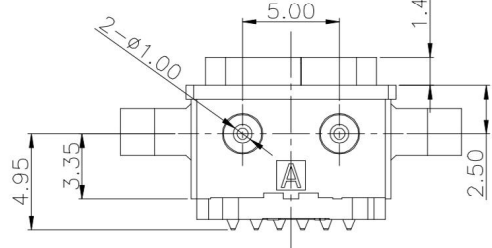
UL3302\26AWG\黑色\负极, 两端剥线浸锡2.0mm

UL3302\26AWG\红色\正极, 两端剥线浸锡2.0mm



NOTES:
SPECIFICATION:

- CURRENT RATING: 3.0A MAX
- DIELECTRIC WITHSTAND VOLTAGE: 100VAC
- TEMPERATURE RANGE: -30 °C ~ 85 °C
- CONTACT RESISTANCE: 40 MILLIONHM MAX
- INSULATION RESISTANCE: 100 MEGOHMS MIN.
- INSERTION FORCE : 5N~20N
- UNMATING FORCE: 8N~20N
- DURABILITY:5000 CYCLES



A5	CC1	B12	GND
A9	VBUS	B9	VBUS
A12	GND	B5	CC2
PIN	SIGNAL NAME	PIN	SIGNAL NAME

ITEM	PART NAME	Q' TY	FINISH	NOTE
5	Screw	1	C3604 Ni Plating	Ni:40~120u";
4	Shell1	1	SUS304 Ni Plating l=0.25mm	Ni:40~120u";
3	M-D2	1	LCP(G.F30%)	
2	Contact	5	Phosphor bronze C5210R-EH Au/Ni Plating T=0.20mm	Ni:40~160u"; Au:CONTACT AREA:3u", OTHER AREA:G/F
1	Housing	1	PA9T (G.F30%)	

X.	± 0.50	X.°	± 2°	UNITS	mm
.X	± 0.30	.X°	± 1°		
.XX	± 0.10	.XX°	± 0.5°	MAT' L	/
.XXX	± 0.05			FINISH	/
				Q' TY	/

东莞市溪榜电子有限公司
DONG GUAN XI BANG ELECTRONICS CO., LTD

Switch Connector

PART NO. XB-USB-C-6P-1120A-6P-PCB-L-IPX7

APPD: GAO. PENG

CHKD: HE. LONG. FEI

DR: PANG. DONG

TITLE: TYPE C 6Pin 立式插件带PCB

DWG NO.: XB-USB-C-6P-1120A-6P-PCB-L-IPX7

SCALE SHEET REV. 1/1 1/2 A1