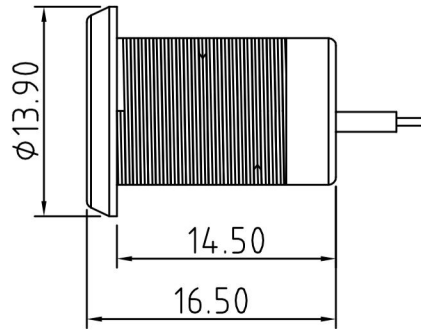
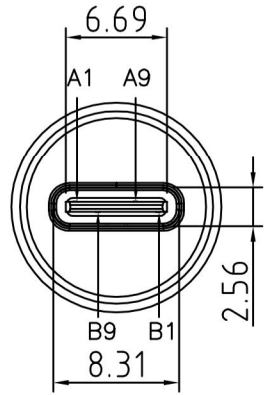


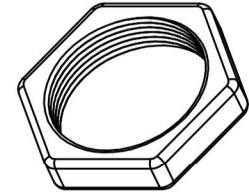
ROHS

REV.	ECN. NO.	APPD.

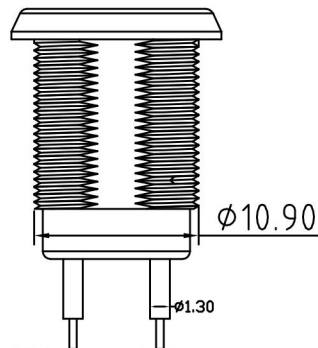
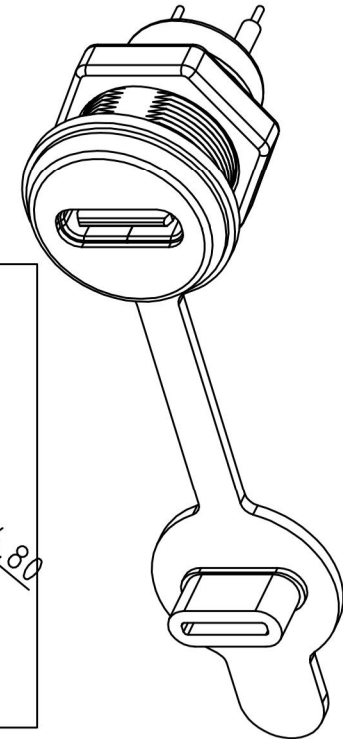
M11螺母标配铁镀白锌，可定制不锈钢/铜。



A9	VBUS	B9	VBUS
A1	GND	B1	GND
PIN	SIGNAL NAME	PIN	SIGNAL NAME

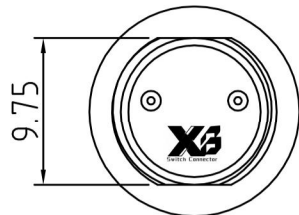
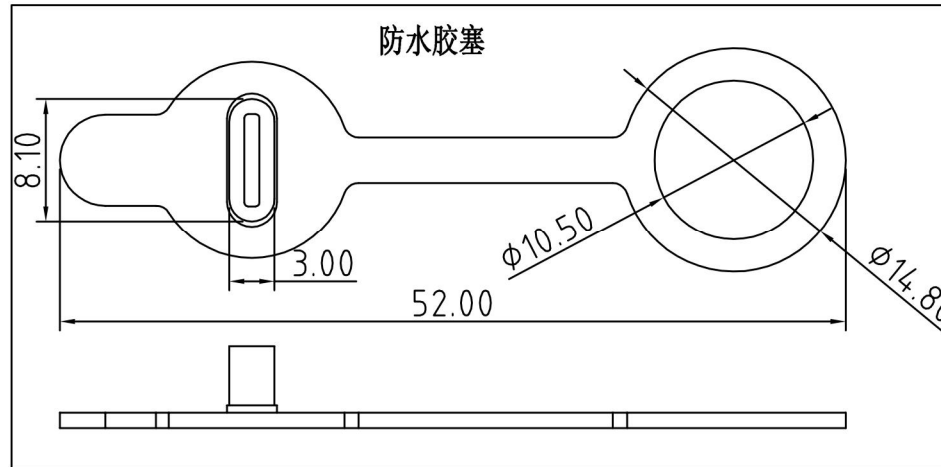


组装示意图



黑线负级 红线正级

引线规格: 1007#24AWG, 红色为正极, 黑色为负极。



SPECIFICATION

1. Rating: DC5V/9V 3A:
2. Contact resistance: $\leq 0.03 \Omega$:
3. Insulation resistance: $\geq 100M \Omega$ (DC250V)
4. Withstand voltage: 500VAC:
5. Insertion and extraction force: 5-20N
6. Life test: 10000 cycles:

X.	± 0.50	X°	$\pm 2^\circ$	UNITS	mm
.X	± 0.30	.X°	$\pm 1^\circ$		
.XX	± 0.10	.XX°	$\pm 0.5^\circ$	MAT'L	
.XXX	± 0.05				
THESE DRAWINGS AND SPECIFICATIONS ARE THE PROPERTY OF XI BANG ELECTRONIC TECHNOLOGY CO., LTD. AND SHALL NOT BE REPRODUCED, COPIED OR USED IN ANY MANNER WITHOUT THE PRIOR WRITTEN CONSENT OF XI BANG ELECTRONIC TECHNOLOGY CO., LTD.				FINISH	
				Q'TY	

东莞市溪榜电子有限公司 DONG GUAN XI BANG ELECTRONICS CO., LTD	
PART NO.	TITLE:
XB-USB-C-2P-3007-IPX7	TYPE C 2P焊线带外螺牙螺母
APPD:	DWG NO.:
RADDM	XB-USB-C-2P-3007-IPX7
CHKD:	SCALE SHEET REV.
MARK	1/1 1/2 A1
DR:	