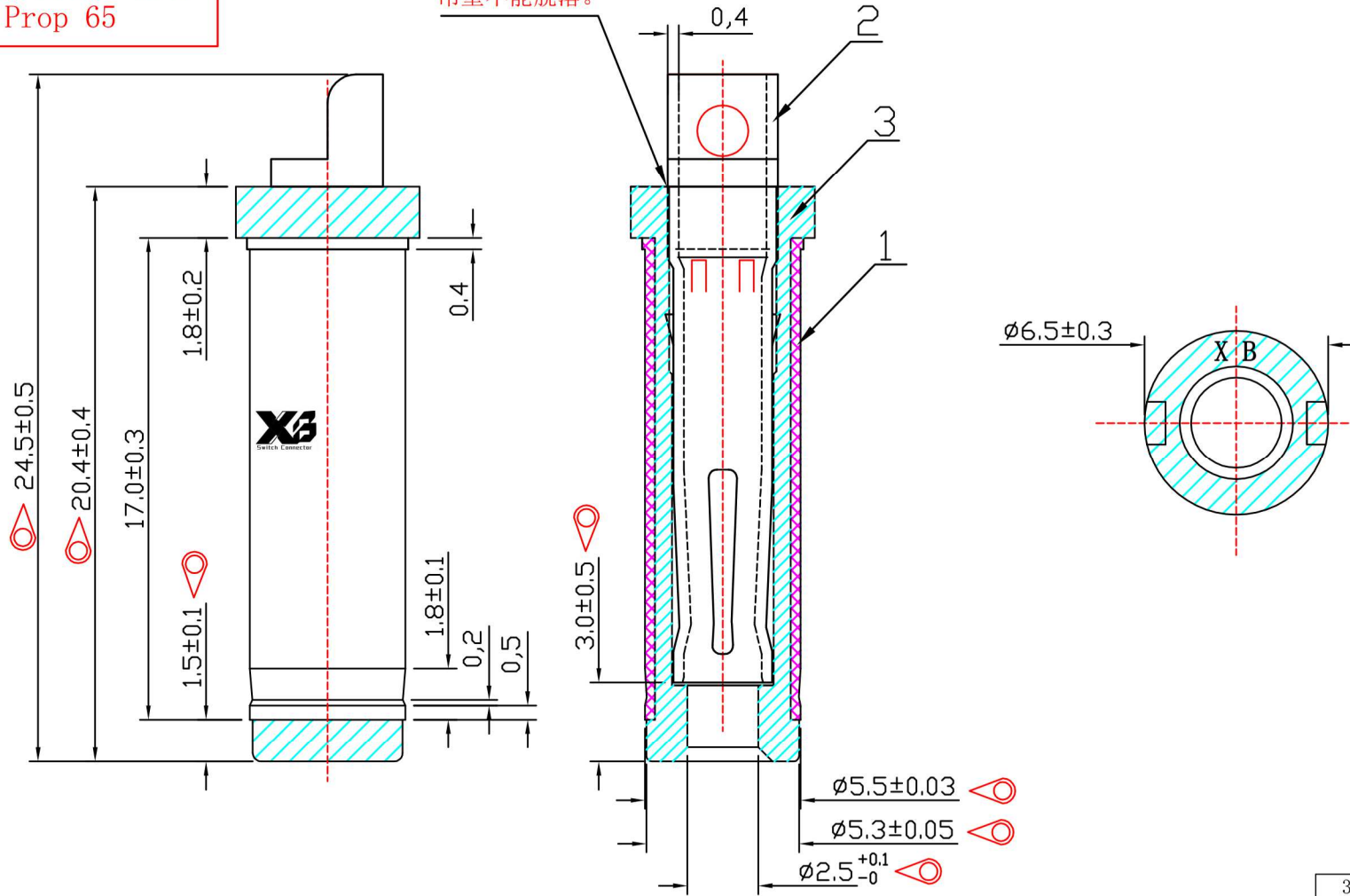


环保要求符合:
Prop 65

装配结合力大于2.0KGf以上,
吊重不能脱落。




SPECIFICATION

1. Rating : DC 12V 30V, 15A 20A
2. Contact resistance : $\leq 30m\Omega$
3. Insulation resistance : $\geq 100M\Omega$
4. Withstand voltage : 500VAC
5. Insertion and extraction force : 3-20N
6. life test : 5,000 cycles

5.5*2.5*24.5L大电流(端子C18400-0.4t镀金)内缩3.0黑色Prop 65

3	绝缘体	111-010(3886)	PBT+30%GF	黑色	UL 94V-0
2	自封式0型端子	41-250215-02-G	C18400 T0.4	镀金0.7-1.5U"	1
1	铜管低铅	61-570170-03-N	HBi59-1 T0.35	镀镍2-3UM	1
项目	零件名称	料号	材料	处理	数量

						<h2>东莞市溪榜电子有限公司</h2> <h3>DONG GUAN XI BANG ELECTRONICS CO., LTD</h3>					
						TITLE : XB DC power plug					
MODEL : XB-DC-T550250245-02-5525-24.5L											
UNIT :	MM	DWN.	ZENQ. CHEN	DATE		TOLERANCE		ANGLE TOL			
SCALE :	3 : 1	CHK'D	DONG. PANG	DATE		$\leq 1.5mm \pm 0.1$		$\pm 2^\circ$			
VERSION	01	APPD.	FET. LONG. HE	DATE		$> 1.5mm \pm 0.2$					
						$\geq 10.0mm \pm 0.3$					
						6	PIN	BRASS	1	Ni PLATED	
						5	TERMINAL	BRASS STRIP t=0.3	1	Ag PLATED	
						4	SPRING TERMINAL C	PBS STRIP t=0.25	1	Ag PLATED	
						3	TERMINAL B	BRASS STRIP t=0.3	1	Ag PLATED	
						2	TERMINAL A	BRASS STRIP t=0.3	1	Ag PLATED	
						1	HOUSING	PBT UL94-V0	1	BLACK	
						NO.	PART NAME	MATERIAL	QTY.	FINISHING	