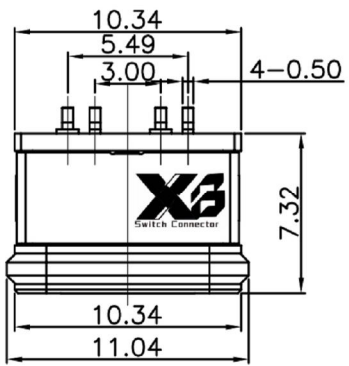
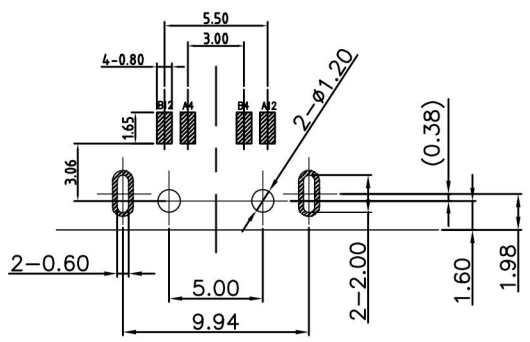
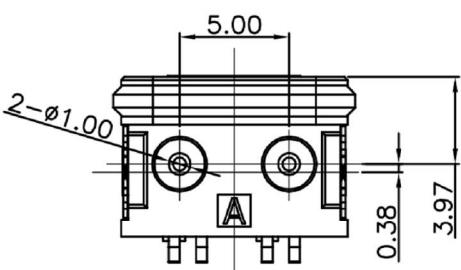
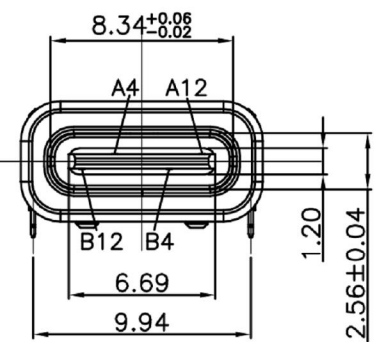
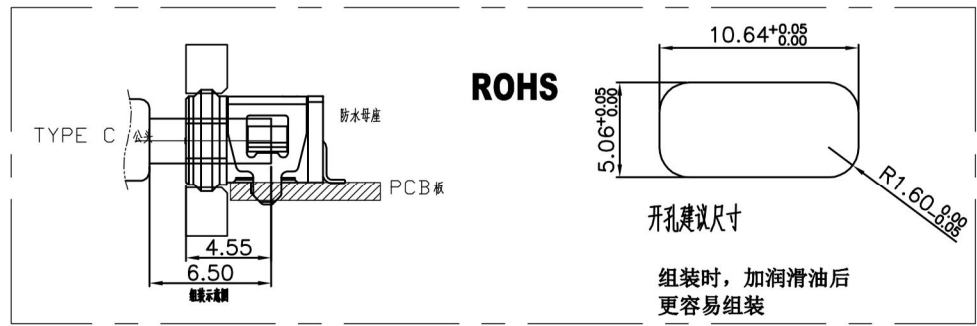
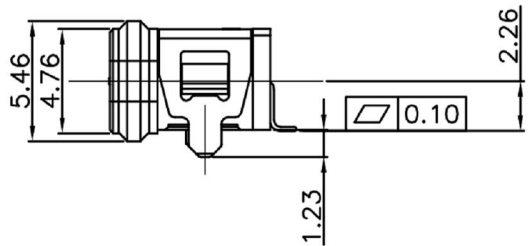


# ROHS

REV.	ECN. NO.	APPD.



A4	VBUS	B12	GND
A12	GND	B4	VBUS
PIN	SIGNAL NAME	PIN	SIGNAL NAME



- NOTES:  
SPECIFICATION:
- CURRENT RATING: 3.0A MAX
  - DIELECTRIC WITHSTAND VOLTAGE: 100VAC
  - TEMPERATURE RANGE: -30 °C ~ 85 °C
  - CONTACT RESISTANCE: 40 MILLIONHM MAX
  - INSULATION RESISTANCE: 100 MEGOHMS MIN.
  - INSERTION FORCE : 5N~20N
  - UNMATING FORCE: 8N~20N
  - DURABILITY:5000 CYCLES

RECOMMENDED PCB LAYOUT(TOP VIEW)  
THICKNESS T=1.0mm  
DEFAULT TOLERANCE+/-0.05

A5	CC1	B12	GND
A9	VBUS	B9	VBUS
A12	GND	B5	CC2
PIN	SIGNAL NAME	PIN	SIGNAL NAME

5	Shell2	1	SUS304 Ni Plating T=0.20mm	Ni40~120u <sup>2</sup>
4	Shell1	1	SUS304 Ni Plating T=0.3mm	Ni40~120u <sup>2</sup>
3	Housing2	1	LCP(G.F30%)	
2	Contact	4	Phosphor bronze C5210R-EH Au/Ni Plating T=0.20mm	Ni40~160u <sup>2</sup> ; Au CONTACT AREA 3u <sup>2</sup> ; OTHER AREA G/F
1	Housing	1	PA9T (G.F30%)	
ITEM	PARTNAME	Q'TY	FINISH	NOTE

X.	±0.50	X.*	± 2°	UNITS mm	东莞市溪榜电子有限公司 DONG GUAN XI BANG ELECTRONICS CO., LTD
.X	±0.30	.X*	± 1°		
.XX	±0.10	.XX*	± 0.5°	MAT'L	PART NO. XB-USB-C-4P-1135-IPX7
.XXX	± 0.05			FINISH	APPD: GAO. PENG CHKD: HE. LONG. FEI
				Q'TY	DR: PANG. DONG
THESE DRAWINGS AND SPECIFICATIONS ARE THE PROPERTY OF XI BANG ELECTRONIC TECHNOLOGY CO., LTD. AND SHALL NOT BE REPRODUCED, COPIED OR USED IN ANY MANNER WITHOUT THE PRIOR WRITTEN CONSENT OF XI BANG ELECTRONIC TECHNOLOGY CO., LTD.					TITLE: TYPE C 4Pin SMT Type
					DWG NO: XB-USB-C-4P-1135-IPX7
					SCALE SHEET REV. 1/1 1/2 A1