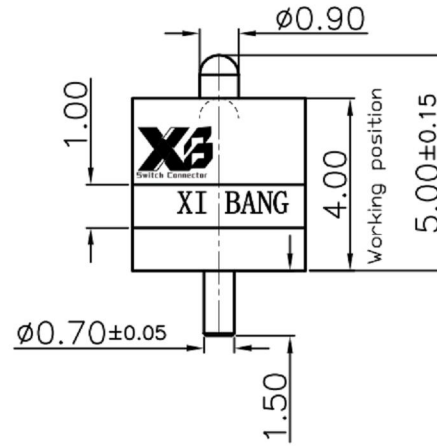
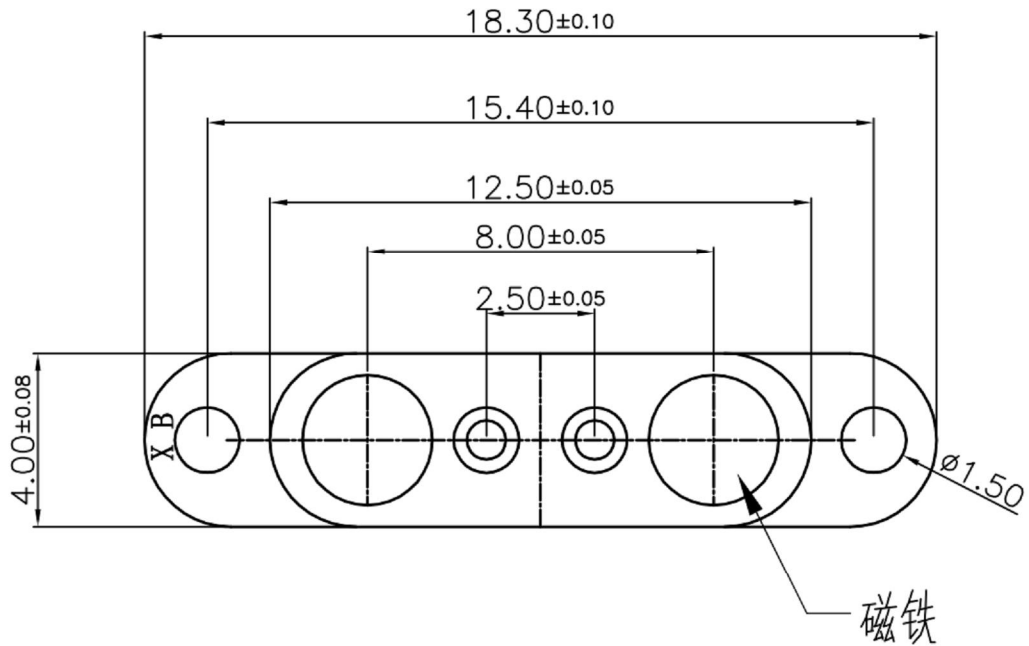


# RoHS



Notes:

Characteristics:

A. Material (材料)

- Housing: High Plastic BLACK (UL94V-0)
- Plunger: brass c3604
- Barrel: brass c3604
- Spring: Stainless steel wire.

B. Plating (电镀)

- Plunger: Brass, Plating 3u' Au over Min. 50u' Ni.
- Barrel: Brass, Plating 3u' Au over Min. 50u' Ni.
- Spring: Stainless steel wire. Plating Min. 1u' Au

C. Electrical (电气特性)

- Operating voltage: 12V Max.
- Operating current: 1A 3A Max.
- Contact resistance: 30mohm Max. at working height (Quiescence).

D. Mechanical (机械性能)

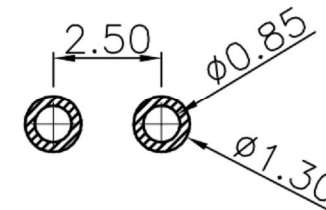
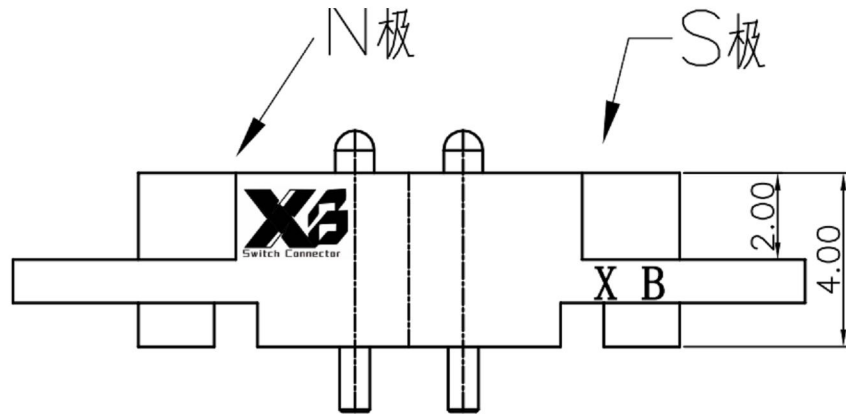
- Total stroke: 1.20mm.
- Working height: 0.7mm.
- Spring Force: 65gf  $\pm$  10gf at working height
- Mechanical life: 10,000 cycle min.
- Don't exceed the Max. allowed compression

E. Environmental (环境耐受)

- Storage and operating temperature range:  $-40^{\circ}\text{C} \sim +85^{\circ}\text{C}$
- Humidity range: 10% RH to 90% RH
- Salt spray: 48H

F. Others (其他)

- The dimensions marked \* are critical, Should be checked in production
- RoHS compliant product.



RECOMMEND PCB LAYOUT

Note:

1: Material (材料):

Housing: PA9T (胶芯: PA9T)  
Pin: Brass C3604 (针体: 黄铜 C3604)  
Magnet: NdFeB (磁铁: 钕铁硼)

2: Plating (电镀):

Pin: 3u' Au over 50u' ~ 80u' Ni  
(针体: 镀金 3u', 镍底 50u' ~ 80u'.)  
Magnet: Zc plated (磁铁: 镀锌)

3: Electrical (电气特性):

Insulation Resistance: 1,000M $\Omega$  minimum.  
(绝缘电阻: 1,000M $\Omega$ 以上)  
Dielectric Withstand Voltage: 500VAC/minute.  
(抗击电压: 500VAC/minute)

4: Work Temperature (工作环境):

Withstanding Higt Temperature: 280 $^{\circ}\text{C}$   
Operational Temperature: ?20 $^{\circ}\text{C}$  ~ ?70 $^{\circ}\text{C}$

The material contained in this drawing is the property of XiBang. Any use other than that specifically authorized by XiBang is prohibited. The above drawing IS subjected to change for improvement without prior notice.

**XB** 东莞市溪榜电子有限公司  
DONG GUAN XI BANG ELECTRONICS CO., LTD.

TOLERANCE UNLESS OTHERWISE STATED:  
Up to 5  $\pm 0.2$   
Above 5 ~ 15  $\pm 0.3$   
Above 15 ~ 30  $\pm 0.4$   
Above 30 ~ 50  $\pm 0.5$   
Angle  $\pm 0.3^{\circ}$

3RD. ANGEL'S



UNITS

MM

DRAWN BY: GAO. PENG  
DATE: 2024/5/26

CHECKED BY: HE. LONG. FEI  
DATE: 2024/5/26

APPROVED BY: PANG. DONG  
DATE: 2024/5/26

MAT'L		TITLE	CONNECTOR
FINISH		MODLE	POGO PIN
SCALE	1 : 1	DWG NO.	XB-PGC-CT-250G-2P-E
SHEET NO.	1 of 1	PART NO.	Thimble Connector
		SIZE	A4
		VER	R

ITEM NO. DESCRIPTION DRAWN DATE

A B C D E F G H I J