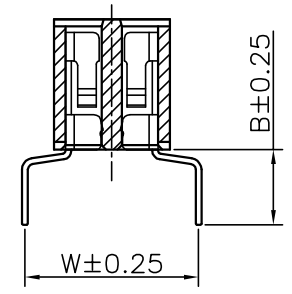
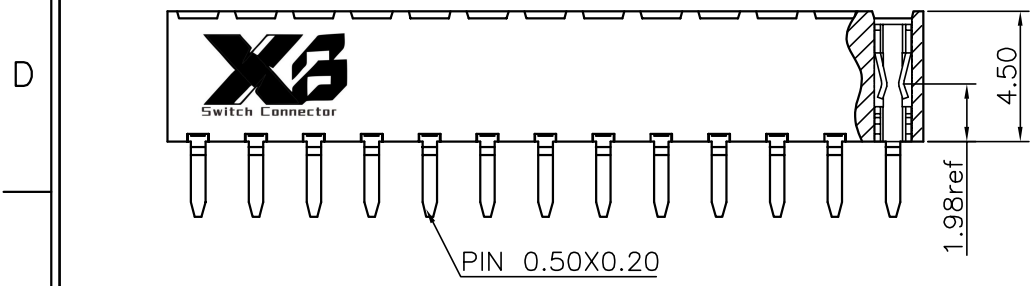
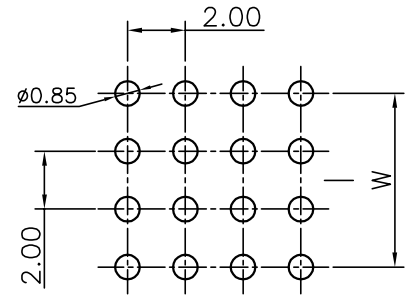


Specifications  
 Current Rating:2.0Amp  
 Insulation Resistance:1000MΩMin.  
 Dielectric Withstanding Voltage:500VAC  
 Contact Resistance:20mΩMax.  
 Operating Temperature:-40°C to +105°C  
 Materials  
 Contact Material:Phosphor Bronze  
 Insulator Material:  
 PBT(Not resistant to high temperature),  
 Nylon(High temperature resistance),  
 LCP(High temperature resistance),  
 UL 94V-0  
 All materials must meet XI BANG  
 hazardous substances control standards.



Recommended P.C.Board  
 Layout  
 (Tolerance:±0.05)



No. of PIN/ROW	Dimension Information	
	M	L
02	2.00	4.10
03	4.00	6.10
04	6.00	8.10
05	8.00	10.10
06	10.00	12.10
07	12.00	14.10
08	14.00	16.10
09	16.00	18.10
10	18.00	20.10
11	20.00	22.10
12	22.00	24.10
13	24.00	26.10
14	26.00	28.10
15	28.00	30.10
16	30.00	32.10
17	32.00	34.10
18	34.00	36.10
19	36.00	38.10
20	38.00	40.10
21	40.00	42.10
22	42.00	44.10
23	44.00	46.10
24	46.00	48.10
25	48.00	50.10
26	50.00	52.10
27	52.00	54.10
28	54.00	56.10
29	56.00	58.10
30	58.00	60.10
31	60.00	62.10
32	62.00	64.10
33	64.00	66.10
34	66.00	68.10
35	68.00	70.10
36	70.00	72.10
37	72.00	74.10
38	74.00	76.10
39	76.00	78.10
40	78.00	80.10

### Ordering Information

202 - XX XX A XXX C 1 S X

Plastic specifications  
 1=Single row  
 2=Dual row  
 3=Tripe row  
 4=Quadruple

Water code

No. of Pins per Row  
 02~40

Positioning column information  
 A=No locating post  
 B=Round post  
 C=Square post

Pin length  
 See the drawing

Insulator Material  
 A=PBT  
 R=Nylon(Halogen Free)  
 C=LCP

Color  
 1=Black  
 2=White  
 3=Yellow  
 E=Beige

Contact Material  
 A/S/K/T=Phosphor Bronze

Packing code  
 A=Box  
 B=Tray  
 C=Tube  
 D=Tape&Reel

<b>东莞市溪榜电子有限公司</b> DONG GUAN XI BANG ELECTRONICS CO., LTD.	GENERAL TOLERANCE		DESIGN:	DATE:	DWG. NO. XB-PM-F-20-202	TITLE. 2.00 FEMALE HEADER DUAL ROWS DIP TYPE BOTTOM ENTRY
	X.*±5.0°	X.±0.30	CHECKED:	DATE:		
	.X'±3.0°	.X±0.25	AUDITED:	DATE:	PART NO.	
	.XX'±2.0°	.XX±0.15	APPROVED:	DATE:		
REV. 01	UNIT. mm	SCALE. 4:1	PAGE. 1/1			