

1 2 3 4 5 6 7 8 9

F

E

D

C

B

A

F

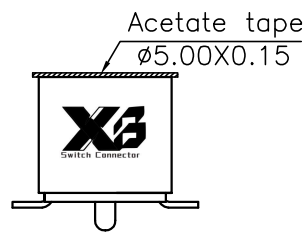
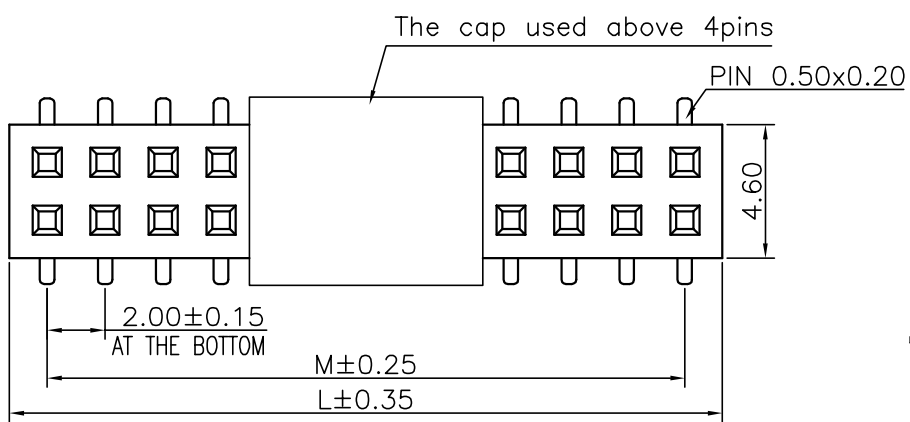
E

D

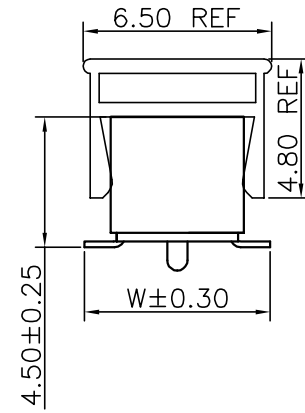
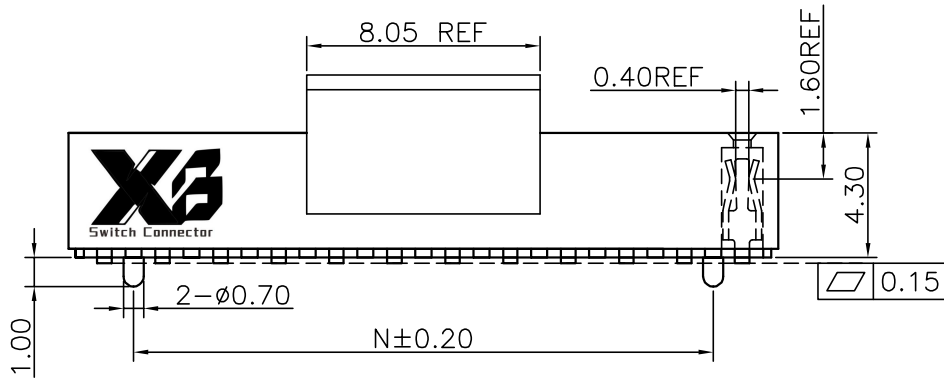
C

B

A



Specifications  
 Current Rating:2.0Amp  
 Insulation Resistance:1000MΩMin.  
 Dielectric Withstanding Voltage:500VAC  
 Contact Resistance:20mΩMax.  
 Operating Temperature:-40°C to +105°C  
 Materials  
 Contact Material:Phosphor Bronze  
 Insulator Material:  
 Nylon(High temperature resistance),  
 LCP(High temperature resistance),  
 UL 94V-0  
 All materials must meet XI BANG  
 hazardous substances control standards.



Recommended P.C.Board  
 Layout  
 (Tolerance:±0.05)

No. of PIN/ROW	Dimension Information		
	M	L	N
02	2.00	4.60	--
03	4.00	6.60	2.00
04	6.00	8.60	4.00
05	8.00	10.60	6.00
06	10.00	12.60	8.00
07	12.00	14.60	10.00
08	14.00	16.60	12.00
09	16.00	18.60	14.00
10	18.00	20.60	16.00
11	20.00	22.60	18.00
12	22.00	24.60	20.00
13	24.00	26.60	22.00
14	26.00	28.60	24.00
15	28.00	30.60	26.00
16	30.00	32.60	28.00
17	32.00	34.60	30.00
18	34.00	36.60	32.00
19	36.00	38.60	34.00
20	38.00	40.60	36.00
21	40.00	42.60	38.00
22	42.00	44.60	40.00
23	44.00	46.60	42.00
24	46.00	48.60	44.00
25	48.00	50.60	46.00
26	50.00	52.60	48.00
27	52.00	54.60	50.00
28	54.00	56.60	52.00
29	56.00	58.60	54.00
30	58.00	60.60	56.00
31	60.00	62.60	58.00
32	62.00	64.60	60.00
33	64.00	66.60	62.00
34	66.00	68.60	64.00
35	68.00	70.60	66.00
36	70.00	72.60	68.00
37	72.00	74.60	70.00
38	74.00	76.60	72.00
39	76.00	78.60	74.00
40	78.00	80.60	76.00

### Ordering Information

201 Water code  
 Plastic specifications  
 1=Single row  
 2=Dual row  
 3=Tripe row  
 4=Quadruple

No. of Pins per Row  
 02~40

Positioning column information  
 A=No locating post  
 B=Round post  
 C=Cross post

Plating code  
 01=Tin  
 02=Gold Flash  
 05=Gold Flash/Tin  
 22=Matte Tin

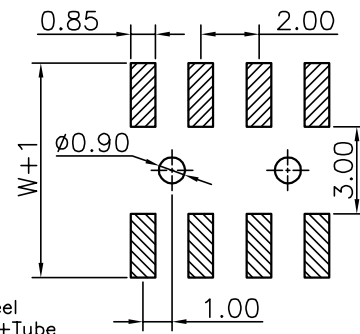
Pin length  
 See the drawing

Insulator Material  
 R=Nylon(Halogen Free)  
 C=LCP

Color  
 1=Black  
 2=White  
 3=Yellow  
 E=Beige

Contact Material  
 A/S/K/T=Phosphor Bronze

Packing code  
 A=Box  
 B=Tray  
 C=Tube  
 D=Tape&Reel  
 E=Cap+Tube  
 F=Cap+Tape&Reel  
 G=Acetate Tape+Tube  
 H=Acetate Tape+Tape&Reel



<b>东莞市溪榜电子有限公司</b> DONG GUAN XI BANG ELECTRONI CS CO., LTD.	GENERAL TOLERANCE		DESIGNED:	DATE:	DWG. NO. XB-PM-C-20-201	TITLE. 2.00 FEMALE HEADER DUAL ROWS SMT TYPE CONNECTOR
	X.*±5.0°	X.±0.30	CHECKED:	DATE:		
	.X*±3.0°	.X±0.25	CO SIGNED:	DATE:	PART NO.	
	.XX*±2.0°	.XX±0.15	APPROVED:	DATE:		
REV. 01	UNIT. mm	SCALE. 4:1	PAGE. 1/1			

1 2 3 4 5 6 7 8 9