

1 2 3 4 5 6 7 8 9

F

E

D

C

B

A

F

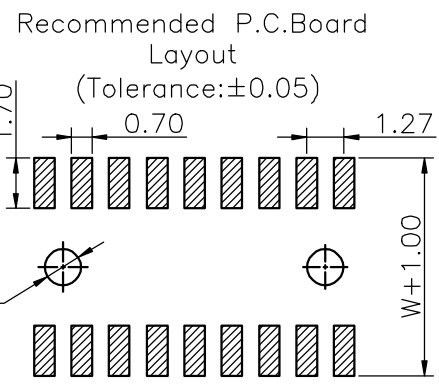
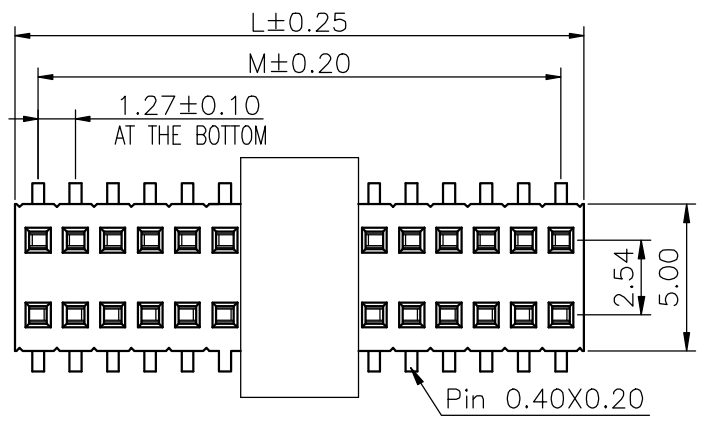
E

D

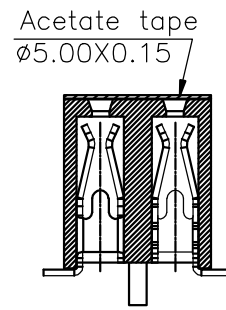
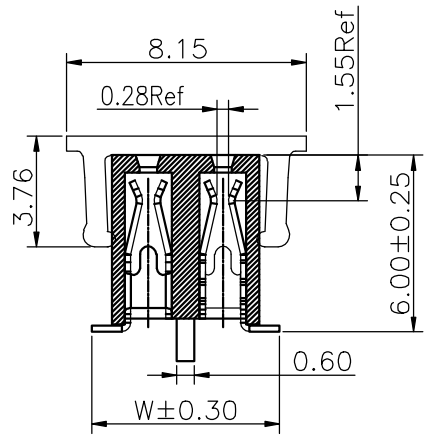
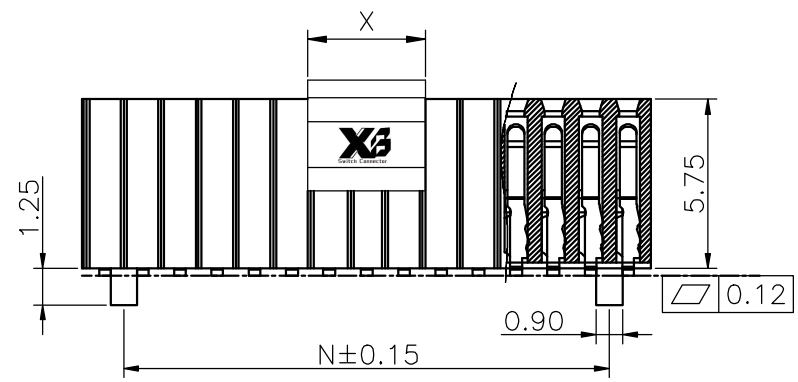
C

B

A



Specifications
 Current Rating:1Amp
 Insulation Resistance:1000MΩMin.
 Dielectric Withstanding Voltage:300VAC
 Contact Resistance:20mΩMax.
 Operating Temperature:-40°C to +105°C
 Materials
 Contact Material:Phosphor Bronze
 Insulator Material:High Temperature Thermoplastic, UL 94V-0 LCP or the equivalent material
 All materials must meet XI BANG requirement for environment protection.



DIM.X	NOTE
4.00	03~25PIN
10.15	26~50PIN

No. of PIN/ROW	Dimension Information		
	A	B	C
03	2.54	4.11	1.27
04	3.81	5.38	2.54
05	5.08	6.65	3.81
06	6.35	7.92	5.08
07	7.62	9.19	6.35
08	8.89	10.46	7.62
09	10.16	11.73	8.89
10	11.43	13.00	10.16
11	12.70	14.27	11.43
12	13.97	15.54	12.70
13	15.24	16.81	13.97
14	16.51	18.08	15.24
15	17.78	19.35	16.51
16	19.05	20.62	17.78
17	20.32	21.89	19.05
18	21.59	23.16	20.32
19	22.86	24.43	21.59
20	24.13	25.70	22.86
21	25.40	26.97	24.13
22	26.67	28.24	25.40
23	27.94	29.51	26.67
24	29.21	30.78	27.94
25	30.48	32.05	29.21
26	31.75	33.32	30.48
27	33.02	34.59	31.75
28	34.29	35.86	33.02
29	35.56	37.13	34.29
30	36.83	38.40	35.56
31	38.10	39.67	36.83
32	39.37	40.94	38.10
33	40.64	42.21	39.37
34	41.91	43.48	40.64
35	43.18	44.75	41.91
36	44.45	46.02	43.18
37	45.72	47.29	44.45
38	46.99	48.56	45.72
39	48.26	49.83	46.99
40	49.53	51.10	48.26
41	50.80	52.37	49.53
42	52.07	53.64	50.80
43	53.34	54.91	52.07
44	54.61	56.18	53.34
45	55.88	57.45	54.61
46	57.15	58.72	55.88
47	58.42	59.99	57.15
48	59.69	61.26	58.42
49	60.96	62.53	59.69
50	62.23	63.80	60.96

Ordering Information

Plastic specifications
 1=Single row
 2=Dual row
 3=Tripe row
 4=Quadruple

Water code
 212

No. of Pins per Row
 03~40

Positioning column information
 A=No locating post
 B=Round post
 C=Square post

Pin length
 See the drawing

Insulator Material
 C=LCP

Plating code
 01=Tin
 02=Gold Flash
 05=Gold Flash/Tin
 22=Matte Tin

Color
 1=Black
 2=White
 3=Yellow
 E=Beige

Contact Material
 A/S/K/T=Phosphor Bronze

Packing code
 C=Tube
 D=Tape&Reel
 G=Acetate Tape+Tube
 H=Acetate Tape+Tape&Reel

东莞市溪榜电子有限公司
 DONG GUAN XI BANG ELECTRONI CS CO., LTD.

GENERAL TOLERANCE	
X.*±5.0'	X.±0.30
.X'±3.0'	.X±0.25
.XX'±2.0'	.XX±0.15
.XXX'±1.0'	.XXX±0.10

DESIGN:	DATE:
CHECKED:	DATE:
AUDITED:	DATE:
APPROVED:	DATE:

DWG. NO.	XB-PM-C-127-212
PART NO.	

TITLE:
 1.27 FEMALE HEADER
 DUAL ROWS SMT TYPE
 CONNECTOR

1 2 3 4 5 6 7 8 9