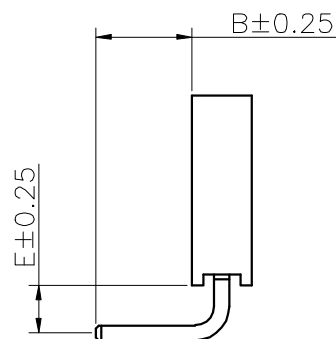
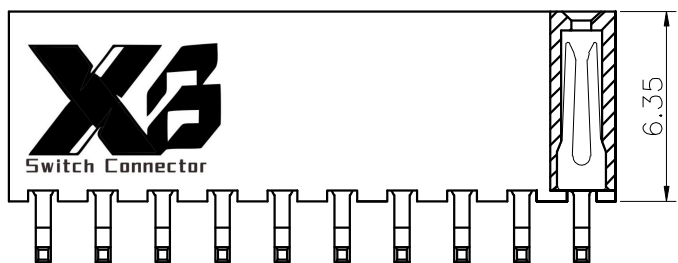
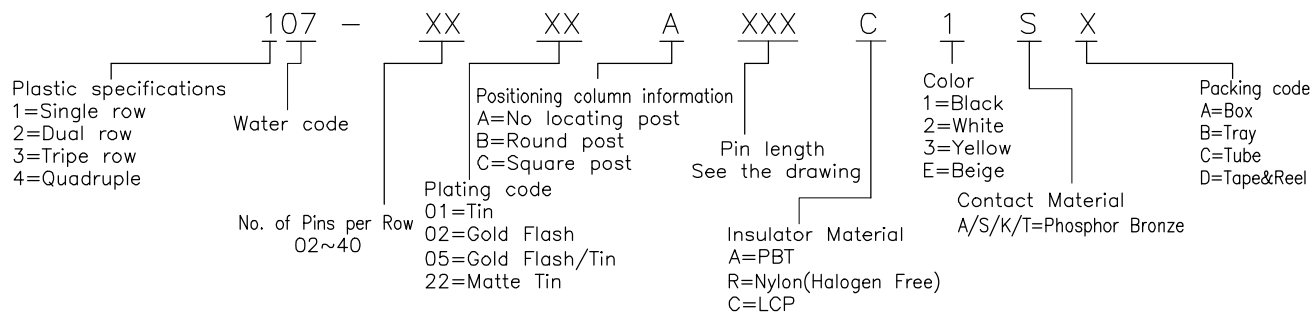


Specifications
 Current Rating:2.0Amp
 Insulation Resistance:1000MΩMin.
 Dielectric Withstanding Voltage:500VAC
 Contact Resistance:20mΩMax.
 Operating Temperature:-40°C to +105°C
 Materials
 Contact Material:Phosphor Bronze
 Insulator Material:
 PBT(Not resistant to high temperature),
 Nylon(High temperature resistance),
 LCP(High temperature resistance),
 UL 94V-0
 All materials must meet XI BANG
 hazardous substances control standards.

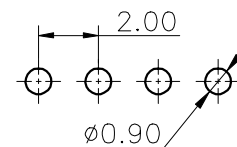


No. of PIN/ROW	Dimension Information	
	M	L
02	2.00	4.30
03	4.00	6.30
04	6.00	8.30
05	8.00	10.30
06	10.00	12.30
07	12.00	14.30
08	14.00	16.30
09	16.00	18.30
10	18.00	20.30
11	20.00	22.30
12	22.00	24.30
13	24.00	26.30
14	26.00	28.30
15	28.00	30.30
16	30.00	32.30
17	32.00	34.30
18	34.00	36.30
19	36.00	38.30
20	38.00	40.30
21	40.00	42.30
22	42.00	44.30
23	44.00	46.30
24	46.00	48.30
25	48.00	50.30
26	50.00	52.30
27	52.00	54.30
28	54.00	56.30
29	56.00	58.30
30	58.00	60.30
31	60.00	62.30
32	62.00	64.30
33	64.00	66.30
34	66.00	68.30
35	68.00	70.30
36	70.00	72.30
37	72.00	74.30
38	74.00	76.30
39	76.00	78.30
40	78.00	80.30

Ordering Information



Recommended P.C.Board
 Layout
 (Tolerance:±0.05)



XIB 东莞市溪榜电子有限公司
 DONG GUAN XI BANG ELECTRONI CS CO., LTD.

GENERAL TOLERANCE	
X.'±5.0'	X.±0.30
.X'±3.0'	.X±0.25
.XX'±2.0'	.XX±0.15
.XXX'±1.0'	.XXX±0.10

DESIGNED:	DATE:	DWG. NO. XB-PM-B-20-107
CHECKED:	DATE:	
CO SIGNED:	DATE:	PART NO.
APPROVED:	DATE:	

TITLE.
 2.00 FEMALE HEADER
 SINGLE ROW R/A TYPE
 SIDE ENTRY

REV. 01	UNIT. mm	SCALE. 4:1	PAGE. 1/1	
---------	----------	------------	-----------	--