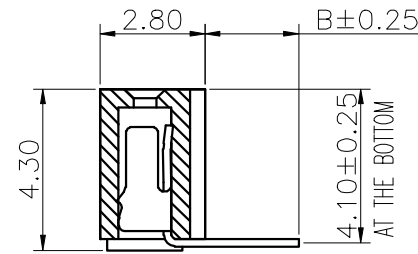
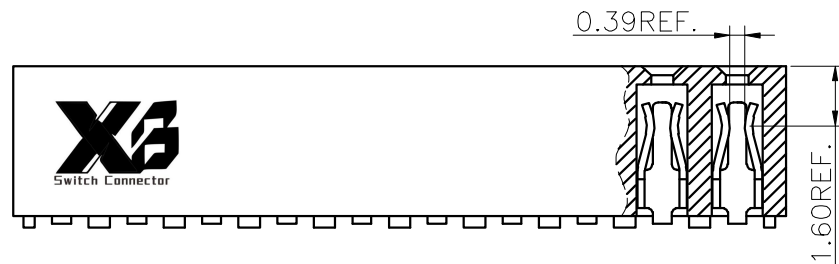
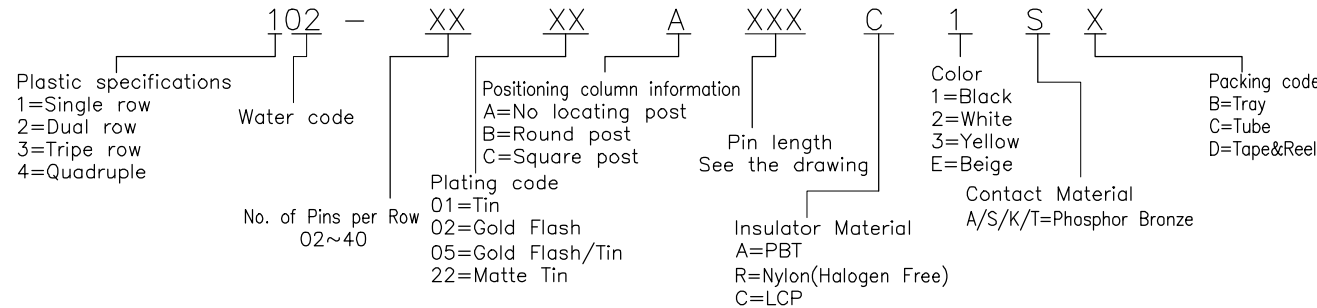


Specifications
 Current Rating:2.0Amp
 Insulation Resistance:1000MΩMin.
 Dielectric Withstanding Voltage:500VAC
 Contact Resistance:20mΩMax.
 Operating Temperature:-40°C to +105°C
 Materials
 Contact Material:Phosphor Bronze
 Insulator Material:
 PBT(Not resistant to high temperature),
 Nylon(High temperature resistance),
 LCP(High temperature resistance),
 UL 94V-0
 All materials must meet XI BANG
 hazardous substances control standards.

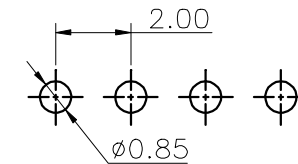


No. of PIN/ROW	Dimension Information	
	M	L
02	2.00	4.60
03	4.00	6.60
04	6.00	8.60
05	8.00	10.60
06	10.00	12.60
07	12.00	14.60
08	14.00	16.60
09	16.00	18.60
10	18.00	20.60
11	20.00	22.60
12	22.00	24.60
13	24.00	26.60
14	26.00	28.60
15	28.00	30.60
16	30.00	32.60
17	32.00	34.60
18	34.00	36.60
19	36.00	38.60
20	38.00	40.60
21	40.00	42.60
22	42.00	44.60
23	44.00	46.60
24	46.00	48.60
25	48.00	50.60
26	50.00	52.60
27	52.00	54.60
28	54.00	56.60
29	56.00	58.60
30	58.00	60.60
31	60.00	62.60
32	62.00	64.60
33	64.00	66.60
34	66.00	68.60
35	68.00	70.60
36	70.00	72.60
37	72.00	74.60
38	74.00	76.60
39	76.00	78.60
40	78.00	80.60

Ordering Information



Recommended P.C.Board
 Layout
 (Tolerance:±0.05)



XIB 东莞市溪榜电子有限公司
 DONG GUAN XI BANG ELECTRONICS CO., LTD.

GENERAL TOLERANCE	
X: ±5.0'	X: ±0.30
.X: ±3.0'	.X: ±0.25
.XX: ±2.0'	.XX: ±0.15
.XXX: ±1.0'	.XXX: ±0.10

DESIGNED:	DATE:
CHECKED:	DATE:
CO SIGNED:	DATE:
APPROVED:	DATE:

DWG. NO. XB-PM-B-20-102
PART NO.

TITLE:
 2.00 FEMALE HEADER
 SINGLE ROW
 RIHGT ANGLE SERIES

REV. 01	UNIT. mm	SCALE. 5:1	PAGE. 1/1	
---------	----------	------------	-----------	--