

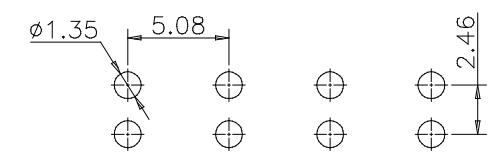
1 2 3 4 5 6 7 8 9

F
E
D
C
B
A

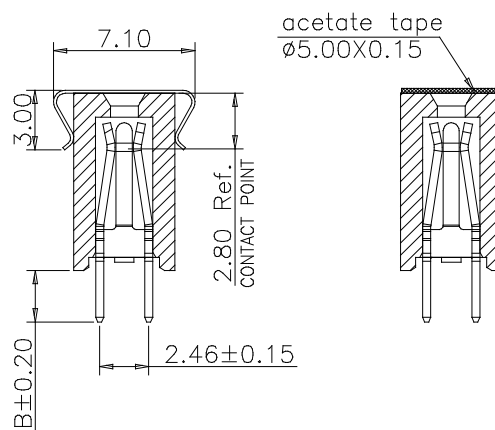
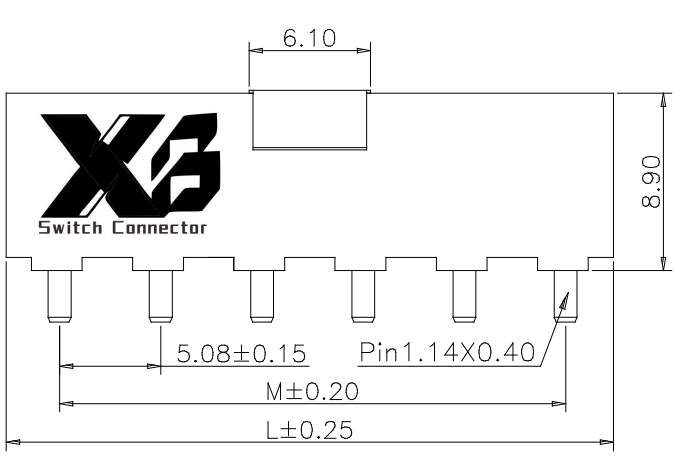
F
E
D
C
B
A



Recommended P.C.Board Layout
(Tolerance:±0.05)



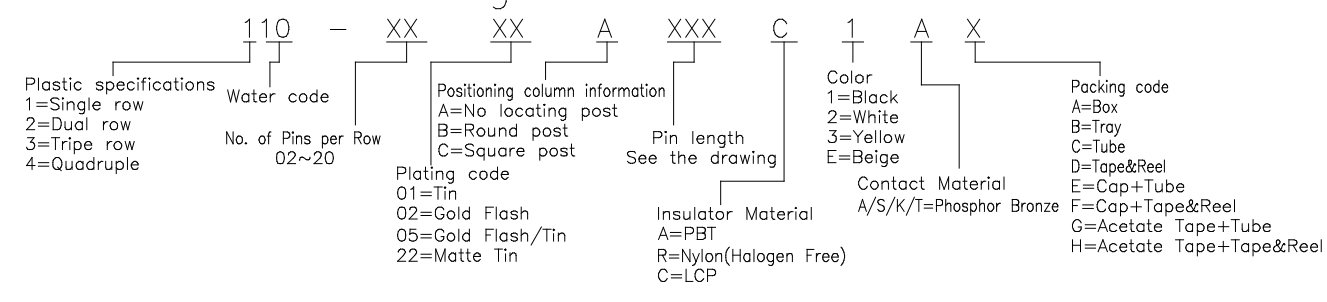
Specifications
Current Rating:7.9Amp
Insulation Resistance:1000MΩMin.
Dielectric Withstanding Voltage:1000VAC
Contact Resistance:20mΩMax.
Operating Temperature:-40°C to +105°C
Materials
Contact Material:Phosphor Bronze
Insulator Material:High Temperature Thermoplastic, UL 94V-0 LCP or the equivalent material
All materials must meet XI BANG requirement for environment protection.



acetate tape
ø5.00X0.15

PIN	DIMENSION	
	L	M
02	10.16	5.08
03	15.24	10.16
04	20.32	15.24
05	25.40	20.32
06	30.48	25.40
07	35.56	30.48
08	40.64	35.56
09	45.72	40.64
10	50.80	45.72
11	55.88	50.80
12	60.96	55.88
13	66.04	60.96
14	71.12	66.04
15	76.20	71.12
16	81.28	76.20
17	86.36	81.28
18	91.44	86.36
19	96.52	91.44
20	101.60	96.52

Ordering Information



XB 东莞市溪榜电子有限公司
Switch Connector DONG GUAN XI BANG ELECTRONICS CO., LTD

GENERAL TOLERANCE	
X.±5.0°	X.±0.30
.X°±3.0°	.X±0.25
.XX°±2.0°	.XX±0.15
.XXX°±1.0°	.XXX±0.10

DESIGN:
CHECKED:
AUDITED:
APPROVED:

DATE:
DATE:
DATE:
DATE:

DWG. NO.
XB-PM-A-508-110
PART NO.

TITLE.
5.08 PITCH POWER SOCKETS DIP TYPE CONNECTOR

REV. 01 UNIT. mm SCALE. 3:1 PAGE. 1/1

1 2 3 4 5 6 7 8 9