

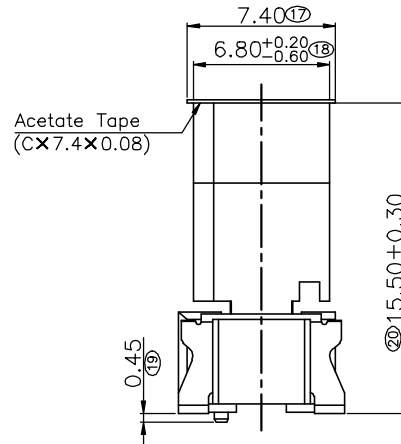
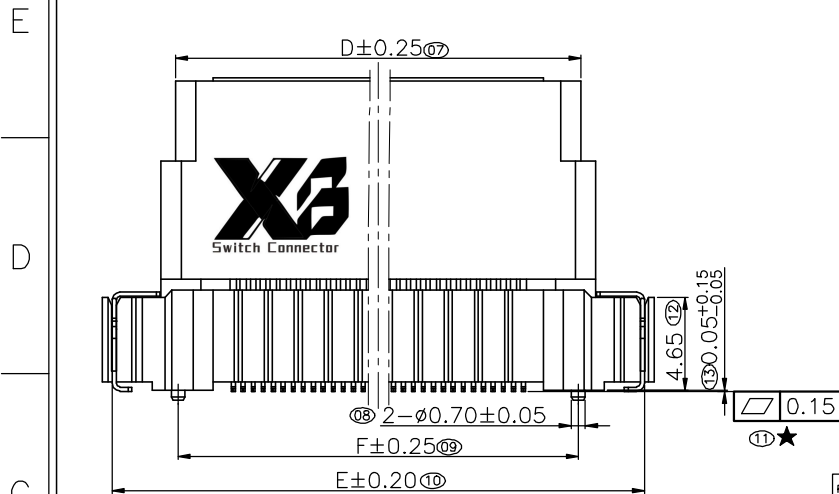
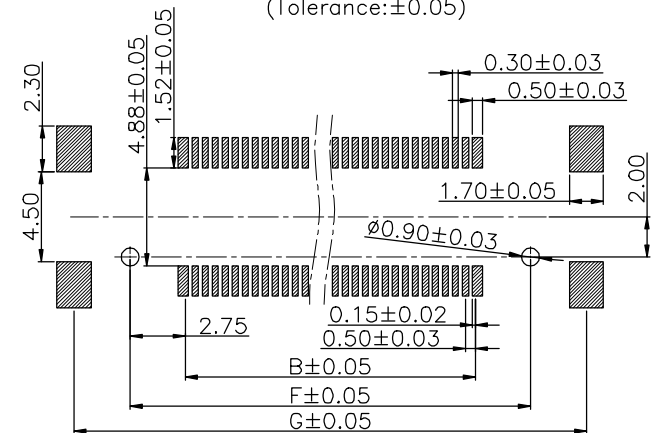
Z DIRECTION : ±0.5mm  
 Y DIRECTION : ±0.5mm  
 X DIRECTION : ±0.5mm

Specifications  
 Current Rating:0.4Amp  
 Insulation Resistance:100MΩMin.  
 Dielectric Withstanding Voltage:250VAC  
 Contact Resistance:100mΩMax.  
 Operating Temperature:-40°C to +105°C  
 Materials  
 Contact Material: Copper alloy  
 Insulator Material:High Temperature Thermoplastic, UL 94V-0 LCP or the equivalent material

★All materials must meet XI BANG hazardous substances control standards.

★: Critical Characteristics.  
 indicates product characteristics, functionalities, and manufacturing processes regarding to customer's specifications  
 ☆: Safety Features  
 indicates product characteristics, functionalities, and manufacturing processes complying to legal regulations stated by local government

Recommended P.C.Board Layout  
 (Tolerance:±0.05)



PIN数/脚	A	B	C	D	E	F	G	备注
2X20	22.60	9.50	10.50	15.25	21.60	15.00	20.60	未测试
2X30	27.60	14.50	15.50	20.25	26.60	20.00	25.60	未测试
2X40	32.60	19.50	20.50	25.25	31.60	25.00	30.60	未测试
2X50	37.60	24.50	25.50	30.25	36.60	30.00	35.60	未测试
2X60	42.60	29.50	30.50	35.25	41.60	35.00	40.60	未测试
2X70	47.60	34.50	35.50	40.25	46.60	40.00	45.60	未测试
2X80	52.60	39.50	40.50	45.25	51.60	45.00	50.60	已测试

## Ordering Information

201 - XX XX B 001 C 1 9 X

No. of Pins Per Row  
80

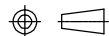
Standard Plating  
02=Gold Flash

Color  
1=Black

Standard Packing  
H=Acetate Tape+Tape&Reel

**XB** 东莞市溪榜电子有限公司  
DONG GUAN XI BANG ELECTRONI CS CO., LTD.

3RD.ANG PROJ.



PAGE. 1/1

### GENERAL TOLERANCE

X'±5.0'	X.±0.30
.X'±3.0'	.X±0.25
.XX'±2.0'	.XX±0.15
.XXX'±1.0'	.XXX±0.10

DESIGNED:

DATE:

CHECKED:

DATE:

APPROVED:

DATE:

DWG. NO.

XB-GGAC-201

PART NO.

TITLE.

0.5mm PITCH BTB  
FLOATING  
CONNECTOR

REV. A UNIT. mm SCALE. 3:1