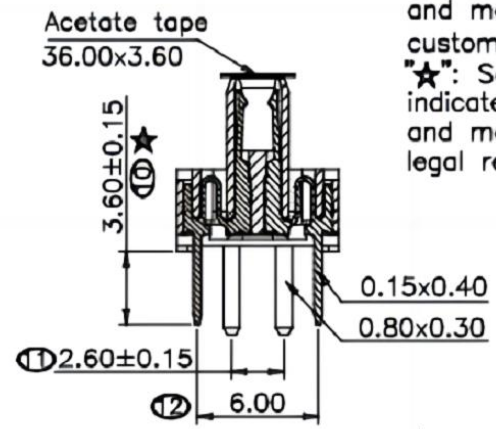
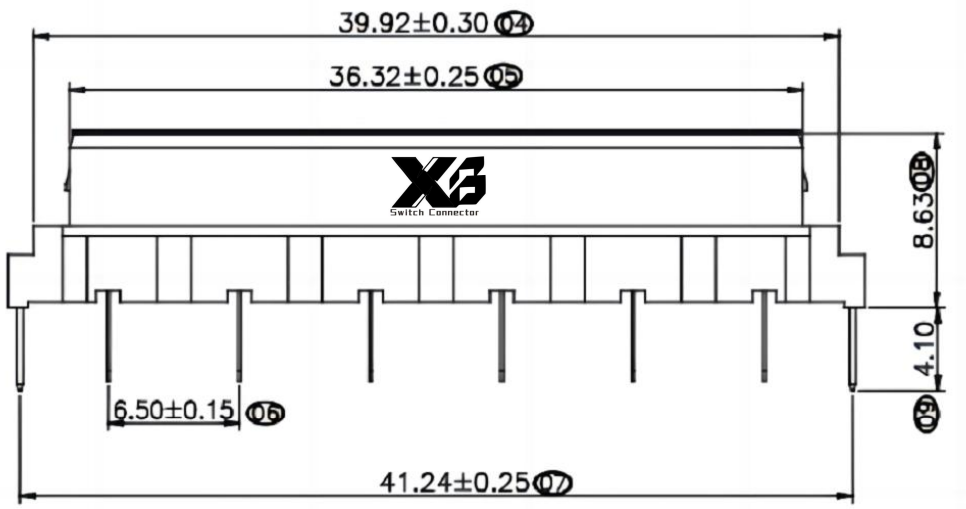
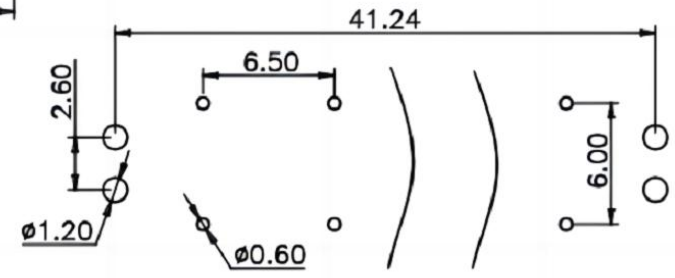


**Specifications**  
 Current Rating:1.0Amp  
 Insulation Resistance:500MΩMin.  
 Dielectric Withstanding Voltage:250VAC  
 Contact Resistance:100mΩMax.  
 Operating Temperature:-40°C to +105°C  
 Materials  
 Contact Material:Phosphor Bronze  
 Insulator Material:High Temperature Thermoplastic, UL 94V-0 LCP or the equivalent material  
 ★All materials must meet XI BANG hazardous substances control standards.



★": Critical Characteristics, indicates product characteristics, functionalities, and manufacturing processes regarding to customer's specifications  
 ★": Safety Features indicates product characteristics, functionalities, and manufacturing processes complying to legal regulations stated by local government

Recommended P.C.Board Layout (Tolerance:±0.05)



**Ordering Information**

C BZZ201 - 06 XX A 001 C 1 S X  
 No. of Pins per Row 06  
 Standard Plating 06=5u"gold on contact/gold flash on other area  
 Color 1=Black  
 H=Acetate tape+Tape&Reel

**东莞市溪榜电子有限公司**  
 DONG GUAN XI BANG ELECTRONI CS CO., LTD.

3RD.ANG PROJ.  
 3:1

REV. A UNIT. mm SCALE. 3:1 PAGE. 1/1

GENERAL TOLERANCE	
X.*±5.0"	X.±0.30
.X'±3.0"	.X±0.25
.XX'±2.0"	.XX±0.15
.XXX'±1.0"	.XXX±0.10

DESIGNED:	DATE:
CHECKED:	DATE:
APPROVED:	DATE:

DWG. NO.	XB-GBZZ-201
PART NO.	XB-GBZZ-201

TITLE.	6.50mm PITCH FEMALE FLOATING CONNECTOR MATING H12.50mm
--------	--