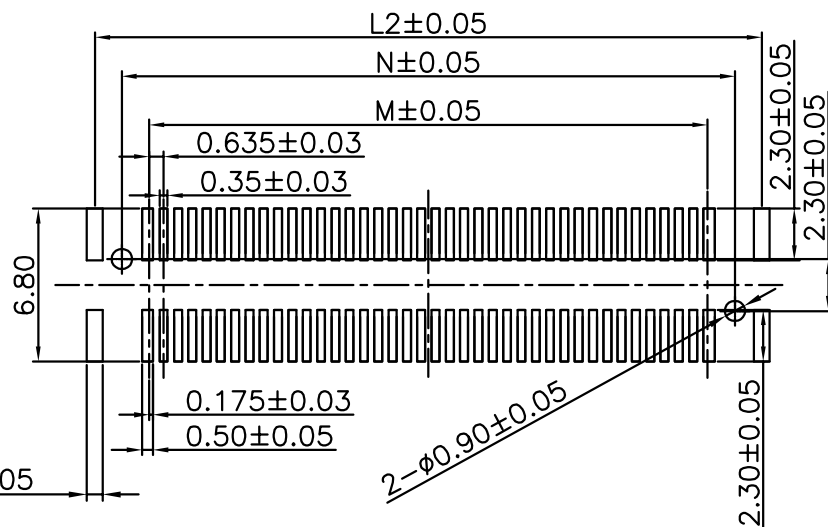
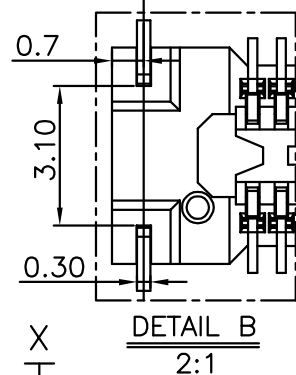
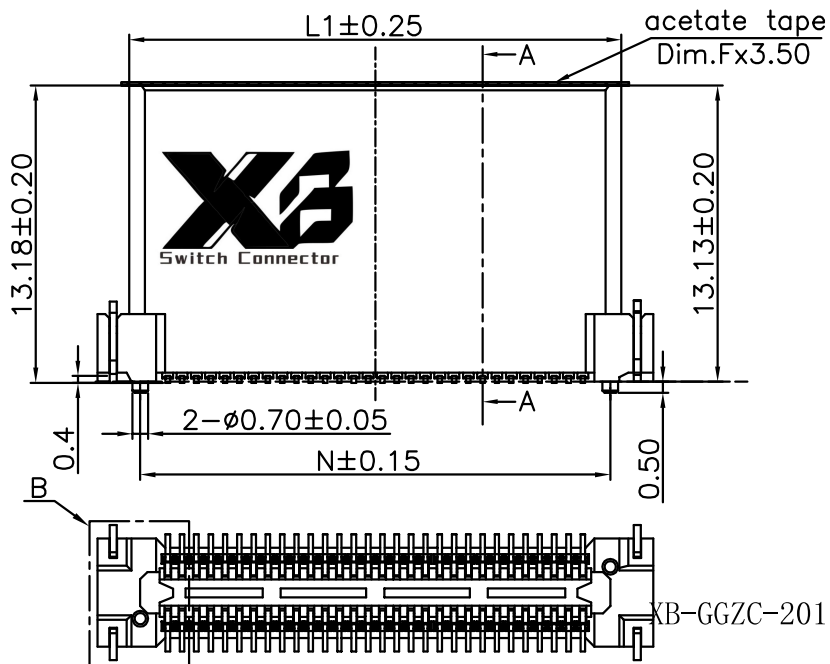


Specifications
 Current Rating:0.5Amp
 Insulation Resistance:500MΩMin.
 Dielectric Withstanding Voltage:200VAC
 Contact Resistance:100mΩMax.
 Operating Temperature:-40°C to +105°C
 Materials
 Contact Material:Phosphor Bronze
 Insulator Material:High Temperature Thermoplastic, UL 94V-0 LCP or the equivalent material
 All materials must meet XI BANG hazardous substances control standards.

No. of PIN/ROW	Dimension Information					
	L	L2	M	L1	N	F
2x30	24.65	23.25	18.42	21.85	20.85	22.50
2x40	31.00	29.60	24.77	28.20	27.20	28.80

Recommended P.C.Board Layout
 (Tolerance:±0.05)



Ordering Information

203 - XX XX B 001 C 1 A X
 No. Of Pins Per Row 30,40
 Standard Plating 02=Gold Flash 09/N5=Au plating
 Color 1=Black
 Standard Packing H=Acetate tape +Tape&Reel

XIB 东莞市溪榜电子有限公司
 DONG GUAN XI BANG ELECTRONI CS CO., LTD.

3RD.ANG PROJ.

 PAGE. 1/1

GENERAL TOLERANCE	
X: ±5.0°	X.±0.30
.X: ±3.0°	.X±0.25
.XX: ±2.0°	.XX±0.15
.XXX: ±1.0°	.XXX±0.10

DESIGNED:
 CHECKED:
 APPROVED:

DATE:
 DATE:
 DATE:

DWG. NO.
 XB-GGZC-201
 PART NO.

TITLE.
 0.635mm PITCH BTB FLOATING CONNECTOR

REV. B UNIT. mm SCALE. 3:1