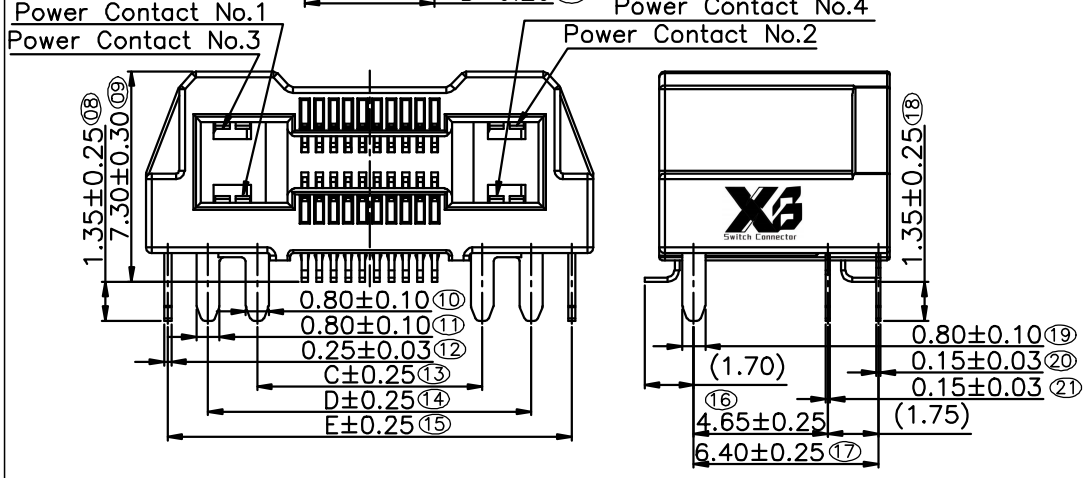
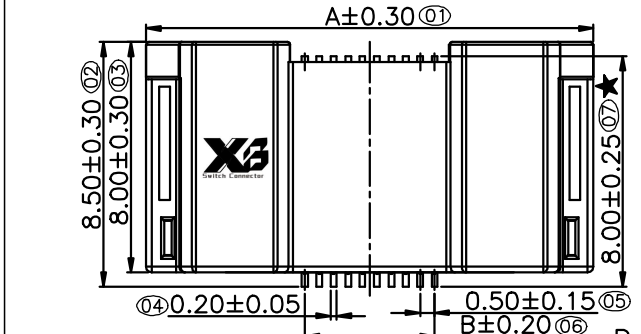
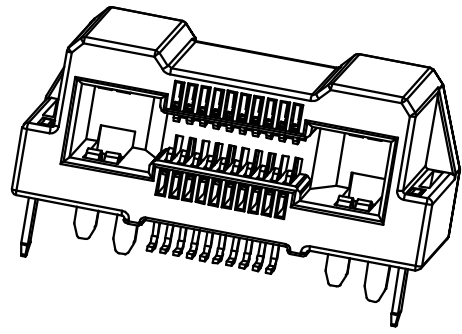
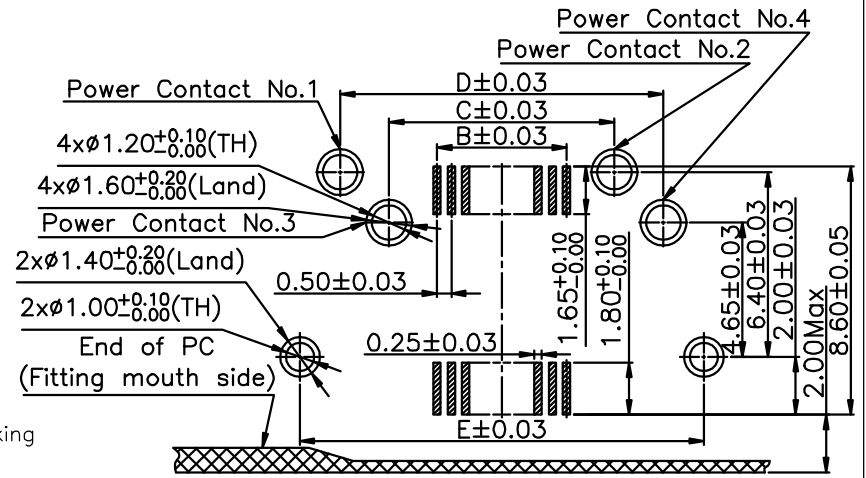


No. of contacts	Dimension Information				
	A	B	C	D	E
2x10	15.50	4.50	7.80	11.20	14.00
2x20	20.50	9.50	12.80	16.20	19.00
2x30	25.50	14.50	17.80	21.20	24.00
2x40	30.50	19.50	22.80	26.20	29.00
2x50	35.50	24.50	27.80	31.20	34.00
2x60	40.50	29.50	32.80	36.20	39.00



Specifications
 Current capacity:
 Signal contact:0.5A/pin. Power contact:3A/pin.
 Insulation Resistance:Signal part:100MΩ.Power part:1000MΩ.
 Dielectric Withstanding Voltage:
 Signal part:at AC 150V for 1 minute.Power part:at AC 600V for 1 minute.
 Contact Resistance:Signal part:70mΩ.Power part:20mΩ.
 Operating Temperature:-55°C to +105°C.
 Materials
 Contact Material:Copper alloy.
 Insulator Material:High Temperature Thermoplastic, UL 94V-0 LCP or the equivalent material
 ☆ All materials must meet XI BANG hazardous substances control standards.
 ★★: Critical Characteristics, indicates product characteristics, functionalities, and manufacturing processes regarding to customer's specifications
 ★★: Safety Features indicates product characteristics, functionalities, and manufacturing processes complying to legal regulations stated by local government

Recommended P.C.Board Layout
 (Tolerance:±0.05)



Ordering Information

201 - XX XX A 001 X X X X

No. of Pins per Row Standard Plating Insulator Material Color Contact Material Standard Packing
 10,20,30,40,50,60 02=Gold Flash 09=3u*AU/Gold Flash C=LCP 1=Black G=Multiple materials D=Tape&Reel

东莞市溪榜电子有限公司 DONG GUAN XI BANG ELECTRONI CS CO., LTD.	3RD.ANG PROJ.	GENERAL TOLERANCE		DESIGNED:	DATE:	DWG. NO. XB-CGAD-201-A001	TITLE. 0.5mm PITCH BTB FLOATING CONNECTOR
		X:±5.0'	X.±0.30	CHECKED:	DATE:		
	PAGE. 1/1	.X'±3.0'	.X±0.25	APPROVED:	DATE:		
REV. A	UNIT. mm	SCALE. 4:1	.XX'±2.0'	.XX±0.15		PART NO.	
			.XXX'±1.0'	.XXX±0.10			