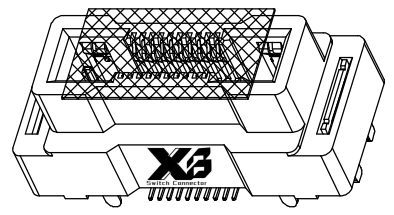
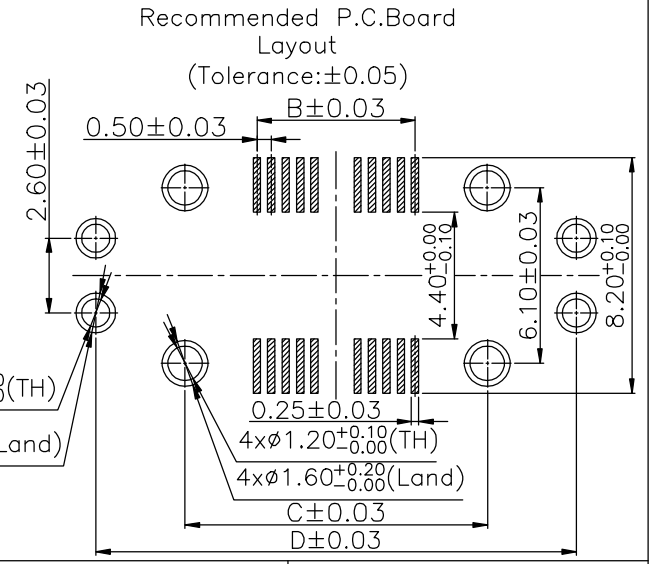
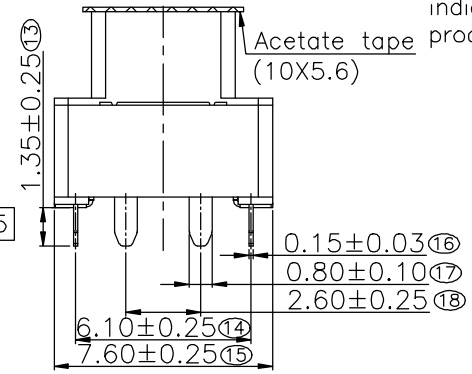
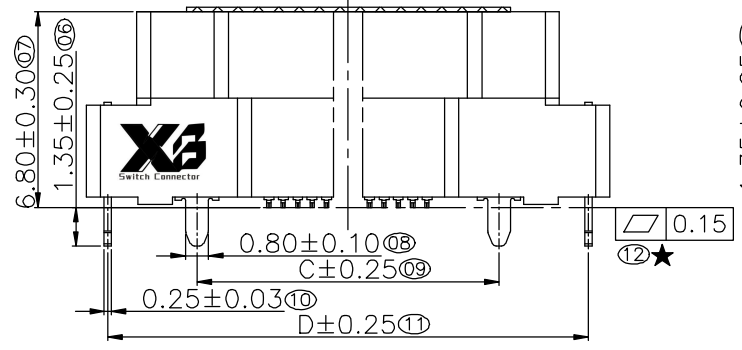
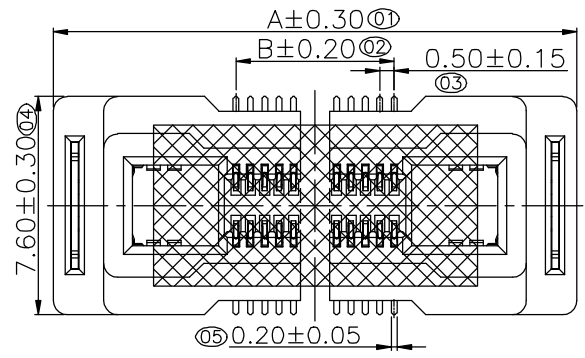


No. of contacts	Dimension Information			
	A	B	C	D
2x10	17.20	4.50	9.50	15.70
2x20	22.20	9.50	14.50	20.70
2x30	27.20	14.50	19.50	25.70
2x40	32.20	19.50	24.50	30.70
2x50	37.20	24.50	29.50	35.70
2x60	42.20	29.50	34.50	40.70



Specifications  
 Current capacity:  
 Signal contact:0.5A/pin. Power contact:3A/pin.  
 Insulation Resistance:Signal part:100MΩ.Power part:1000MΩ.  
 Dielectric Withstanding Voltage:  
 Signal part:at AC 150V for 1 minute.Power part:at AC 600V for 1 minute.  
 Contact Resistance:Signal part:70mΩ.Power part:20mΩ.  
 Operating Temperature:-55°C to +105°C.  
 Materials  
 Contact Material:Copper alloy.  
 Insulator Material:High Temperature Thermoplastic, UL 94V-0 LCP or the equivalent material  
 ☆ All materials must meet XI BANG hazardous substances control standards.  
 "★": Critical Characteristics, indicates product characteristics, functionalities, and manufacturing processes regarding to customer's specifications  
 "☆": Safety Features indicates product characteristics, functionalities, and manufacturing processes complying to legal regulations stated by local government



### Ordering Information

No. of Pins per Row Standard Plating Insulator Material Color Contact Material Standard Packing  
 10,20,30,40,50,60 02=Gold Flash C=LCP 1=Black G=Multiple materials H=Acetate Tape+Tape&Reel  
 09=3u\*AU/Gold Flash

REV. A	UNIT. mm	SCALE. 4:1	PAGE. 1/1	GENERAL TOLERANCE		DESIGNED:	DATE:	DWG. NO. XB-CGAC-203-A001	TITLE. 0.5mm PITCH Female BTB FLOATING CONNECTOR Matting H=20mm
				.X'±5.0'	X.±0.30				
				.X'±3.0'	.X±0.25	APPROVED:	DATE:	PART NO.	
				.XX'±2.0'	.XX±0.15				
				.XXX'±1.0'	.XXX±0.10				

**XB** 东莞市溪榜电子有限公司  
 DONG GUAN XI BANG ELECTRONI CS CO., LTD.

3RD.ANG PROJ.