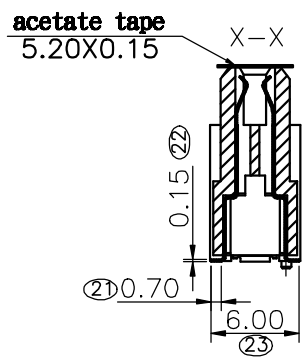
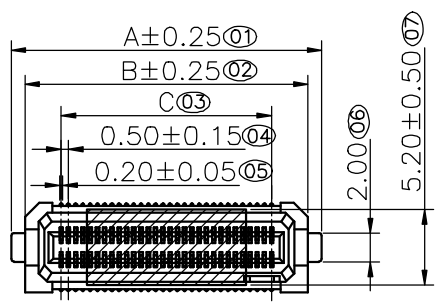


1 2 3 4 5 6 7 8 9

F  
E  
D  
C  
B  
A

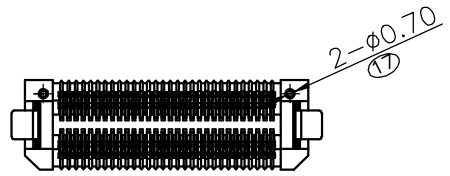
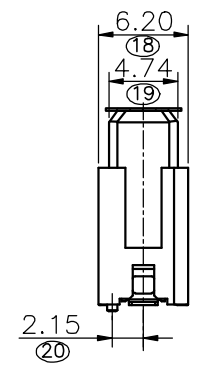
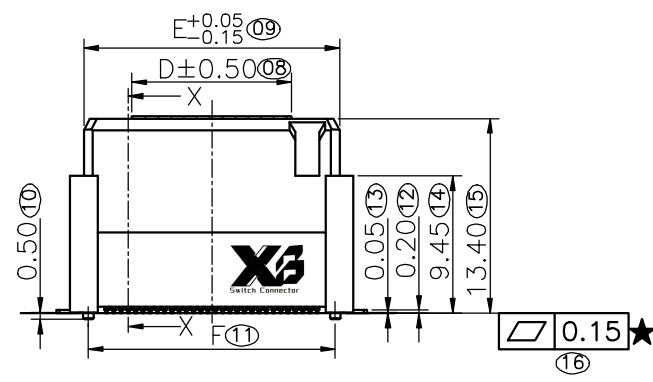
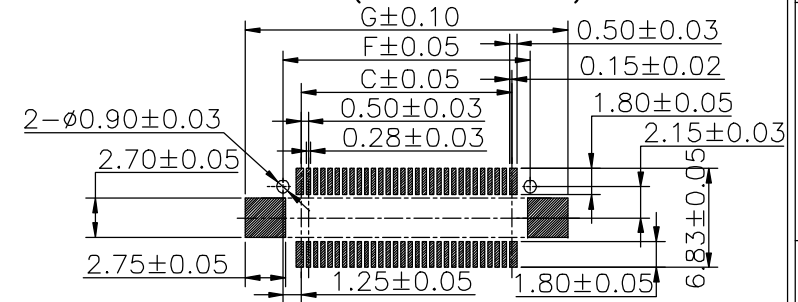
F  
E  
D  
C  
B  
A



**Specifications**  
 Current Rating:0.4Amp  
 Insulation Resistance:100MΩMin.  
 Dielectric Withstanding Voltage:250VAC  
 Contact Resistance:80mΩ Max.  
 Operating Temperature:-40°C to +105°C  
**Materials**  
 Contact Material:copper alloy  
 Insulator Material:High Temperature Thermoplastic, UL 94V-0 LCP or the equivalent material  
 All materials must meet XI BANG hazardous  
 ☆ substances control standards.

★: Critical Characteristics.  
 indicates product characteristics, functionalities, and manufacturing processes regarding to customer's specifications  
 ★: Safety Features  
 indicates product characteristics, functionalities, and manufacturing processes complying to legal regulations stated by local government

**Recommended P.C.Board Layout**  
 (Tolerance:±0.05)



### Ordering Information

201 - XX XX B 003 C 1 9 X

No. Of Pins Per Row: 15/20/30/40/50/60/70/80  
 Standard Plating: 02=Gold Flash, 06=6u\*AU/Gold Flash, 09=3u\*AU/Gold Flash  
 Color: 1=Black  
 Standard Packing: H=Acetate tape+Tape&Reel

Pin/Row	Dimension Information							
	A	B	C	D	E	F	G	
未開模	80	46.40	44.50	39.50	28.50	42.60	42.00	47.20
未開模	70	41.40	39.50	34.50	28.50	37.60	37.00	42.20
未開模	60	36.40	34.50	29.50	28.50	32.60	32.00	37.20
已開模	50	31.40	29.50	24.50	28.50	27.60	27.00	32.20
未開模	40	26.40	24.50	19.50	11.00	22.60	22.00	27.20
未開模	30	21.40	19.50	14.50	11.00	17.60	17.00	22.20
未開模	20	16.40	14.50	9.50	11.00	12.60	12.00	17.20
已開模	15	13.90	12.00	7.00	11.00	10.10	9.50	14.70
備註	No. of PIN/ROW							

**XB** 东莞市溪榜电子有限公司  
 DONG GUAN XI BANG ELECTRONI CS CO., LTD.

3RD.ANG PROJ.  
  
 PAGE. 1/1

GENERAL TOLERANCE	
X.'±5.0'	X.±0.35
.X'±3.0'	.X±0.30
.XX'±2.0'	.XX±0.20
.XXX'±1.0'	.XXX±0.10

DESIGNED:  
 CHECKED:  
 APPROVED:

DATE:  
 DATE:  
 DATE:

DWG. NO. XB-CGAC-201-B003  
 PART NO.

TITLE:  
 0.5mm PITCH BTB  
 FLOATING CONNECTOR

1 2 3 4 5 6 7 8 9