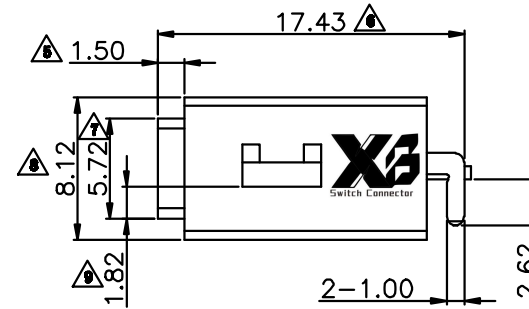
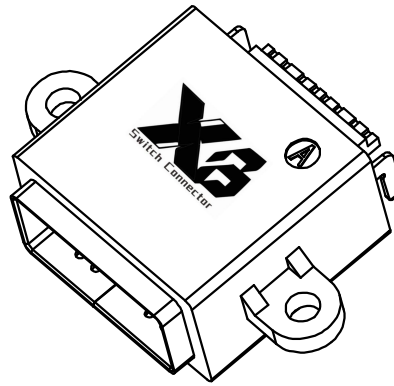
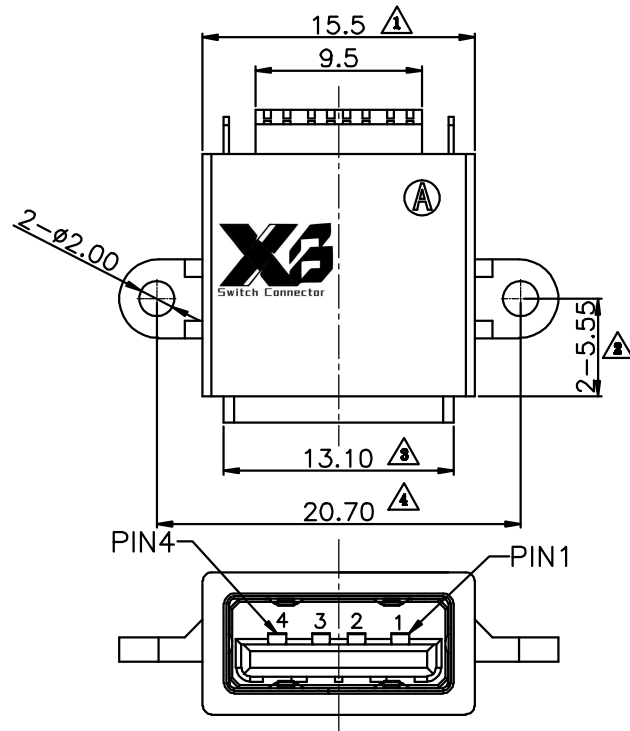


CAD GENERATED DRAWING. DON'T CHANGE BY HAND.

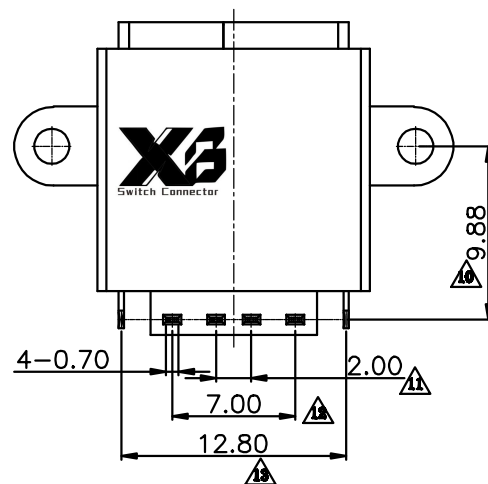
REV.	ECN. NO.	APPD.



NOTES:

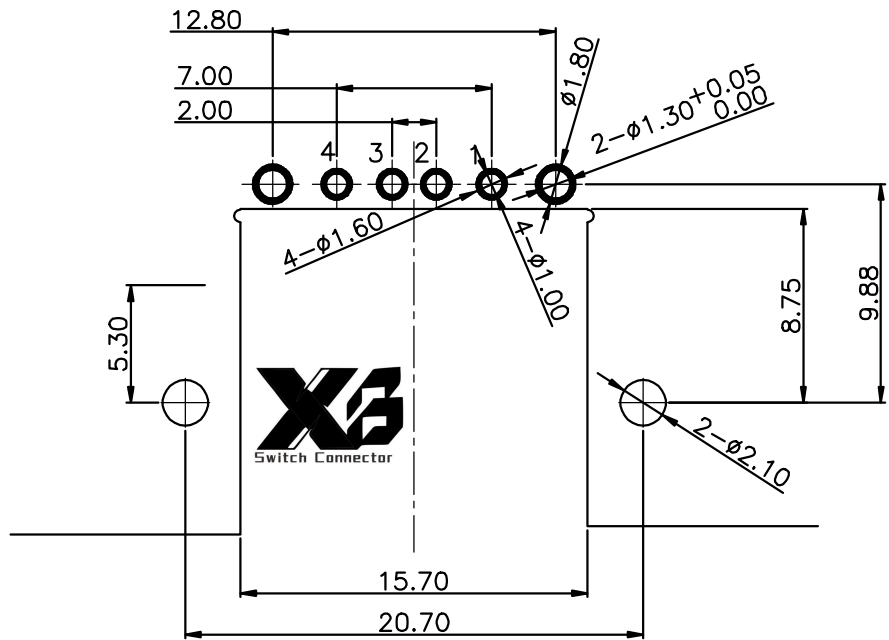
SPECIFICATION:

1. CURRENT RATING: 3.0A MAX
2. DIELECTRIC WITHSTAND VOLTAGE: 100VAC
3. TEMPERATURE RANGE: -30 °C ~ 85 °C
4. CONTACT RESISTANCE: 40 MILLIONHM MAX
5. INSULATION RESISTANCE: 100 MEGOHMS MIN.
6. INSERTION FORCE :8N~35N
7. UNMATING FORCE: 8N~35N
8. DURABILITY:1500 CYCLES



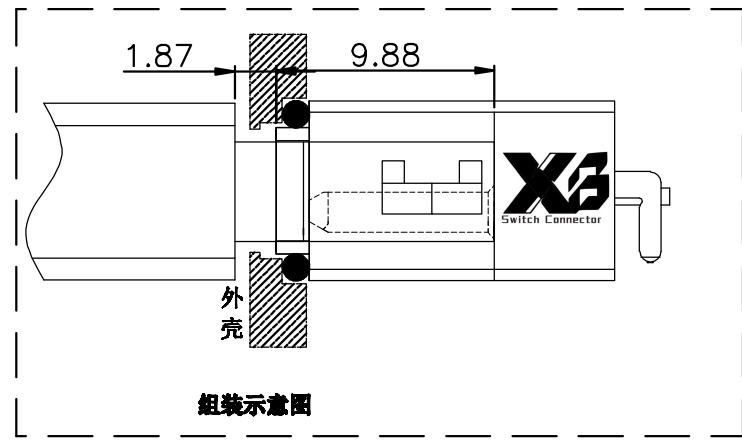
3	Shell	1	SUS 301 1/4H	
3	PLASTIC Shell	1	PA9T&LCP (G.F30%)	
2	Contact	4	BRASS C2680-EH Au/Ni Plating T=0.25mm	
1	Housing	1	PA10T (G.F30%)	
ITEM	PART NAME	Q' TY	FINISH	NOTE
X	±0.50	X° ±2°	UNITS mm	 东莞市溪榜电子有限公司 DONG GUAN XI BANG ELECTRONICS CO., LTD
.X	±0.30	.X° ±1°		
.XX	±0.10	.XX° ±0.5°		
.XXX	±0.05			
THESE DRAWINGS AND SPECIFICATIONS ARE THE PROPERTY OF XI BANG ELECTRONIC TECHNOLOGY CO., LTD. AND SHALL NOT BE REPRODUCED, COPIED OR USED IN ANY MANNER WITHOUT THE PRIOR WRITTEN CONSENT OF XI BANG ELECTRONIC TECHNOLOGY CO., LTD			FINISH	PART NO. XB-USB-A1192-CB USB插座防水沉板AF TITLE: SUBSIDE USB 2.0 A TYPE
			Q' TY	APPD: GAO. PENG CHKD: HE. LONG. FEI DR: PANG. DONG
				DWG NO. : XB-USB-A1192-CB
				 SCALE: 1/1 SHEET: 1/2 DWG. : A2

REV.	ECN. NO.	APPD.

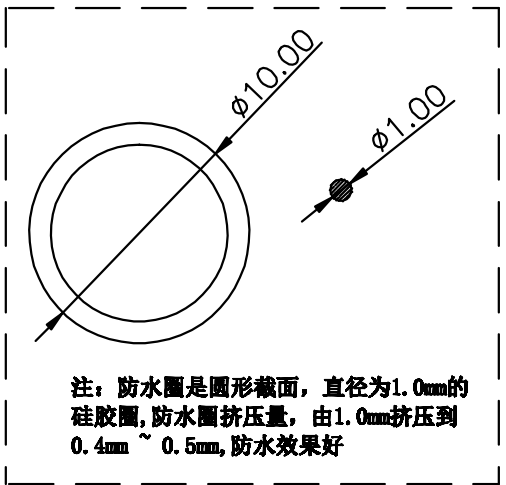


RECOMMENDED PCB LAYOUT(TOP VIEW)

THICKNESS T=1.6mm
 DEFAULT TOLERANCE+/-0.05



組裝示意图



注：防水圈是圆形截面，直径为1.0mm的硅胶圈，防水圈挤压量，由1.0mm挤压到0.4mm ~ 0.5mm，防水效果好

PIN ASSIGNMENT

PIN NO.	1	2	3	4
SINGAL NAME	VBUS	D-	D+	GND

注意此母座为反脚位。

X ±0.50	X° ±2°	UNITS mm	东莞市溪榜电子有限公司 DONG GUAN XI BANG ELECTRONICS CO., LTD	PART NO. XB-USB-A1192-CB	TITLE: SUBSIE USB 2.0 A TYPE	
.X ±0.30	.X° ±1°					
.XX ±0.10	.XX° ±0.5°	MAT'L				
.XXX ±0.05						
THESE DRAWINGS AND SPECIFICATIONS ARE THE PROPERTY OF XI BANG ELECTRONIC TECHNOLOGY CO., LTD. AND SHALL NOT BE REPRODUCED, COPIED OR USED IN ANY MANNER WITHOUT THE PRIOR WRITTEN CONSENT OF XI BANG ELECTRONIC TECHNOLOGY CO., LTD			FINISH	APPD: GAO. PENG	DWG NO.: XB-USB-A1192-CB	
			QTY	CHKD: HE. LONG. FEI		
				DR: PANG. DONG		SCALE
				1/1	2/2	A1