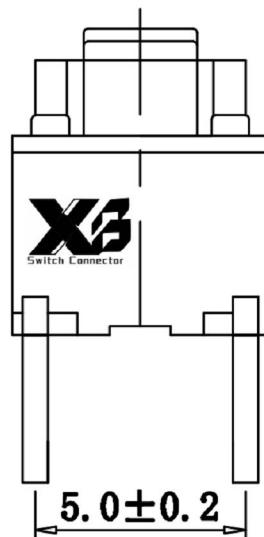
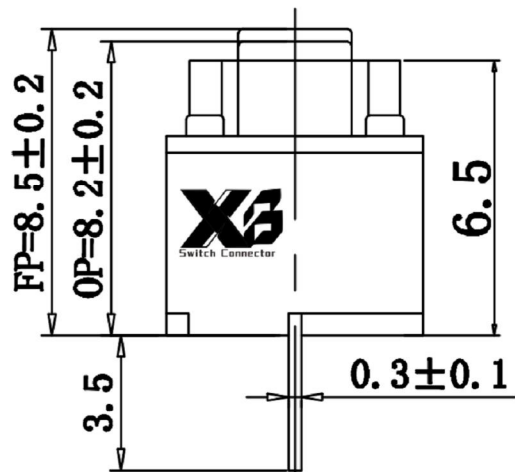
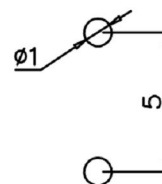


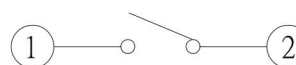
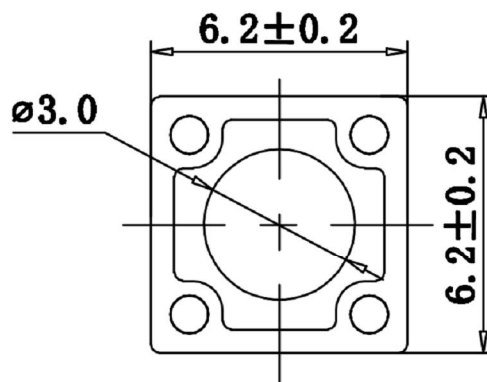
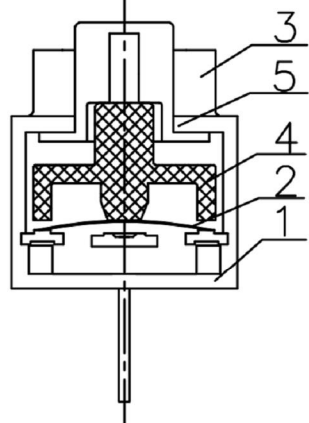
ROHS



安装孔位图



PCB LAYOUT MOUNTING PATTERN



CIRCUIT DIAGRAM

SPECIFICATIONS

Rating	DC 12V 50mA
Contact Resistance	100mΩ Max.
Travel	0.3 ± 0.1mm
Operating Force	60gf 70gf 80gf 90gf
Operating Life(cycles)	100,000

5	HS6.0428.085-5	按钮	1	POM
4	HS6.0428.332-4	按垫	1	橡胶
3	HS6.0428.225-3	盖板	1	PPA
2	HS6.0428.005-2	簧片	1	单面复银不锈钢0.05mm
1	HS6.0428.043-1	底座组	1	PPA黄铜带H65Y0.3mm
序号	编号	材料	数量	材料

The material contained in this drawing is the property of XiBang. Any use other than that specifically authorized by XiBang is prohibited. The above drawing IS subjected to change for improvement without prior notice.



东莞市溪榜电子有限公司
DONG GUAN XI BANG ELECTRONICS CO., LTD

TITLE : XB TACT SWITCH

MODEL : XB-TS-2DV085 轻触开关2脚 有声/无声6.2x6.2x8.5mm



UNIT : MM	DWN.	DATE	
SCALE : 5 : 1	CHK'D	DATE	
VERSION : 01	APPD.	DATE	

TOLERANCE
≤1.5mm ± 0.1
> 1.5mm ± 0.2
>=10.0mm ± 0.3

ANGLE TOL
± 2°

8	REEL	PS	1	BLUE
7	CARRIER	PS	1	CLEAR
6	COVER TAPE	PS	1	CLEAR
5	CONTACT	PBS STRIP	1	Ag CLAD
4	COVER	IRON STRIP	1	Ni PLATED
3	CASE	NYLON	1	BLACK
2	TERMINAL	BRASS STRIP	2	Ag PLATED
1	KNOB	NYLON	1	BLACK
NO.	PART NAME	MATERIAL	QTY.	FINISHING