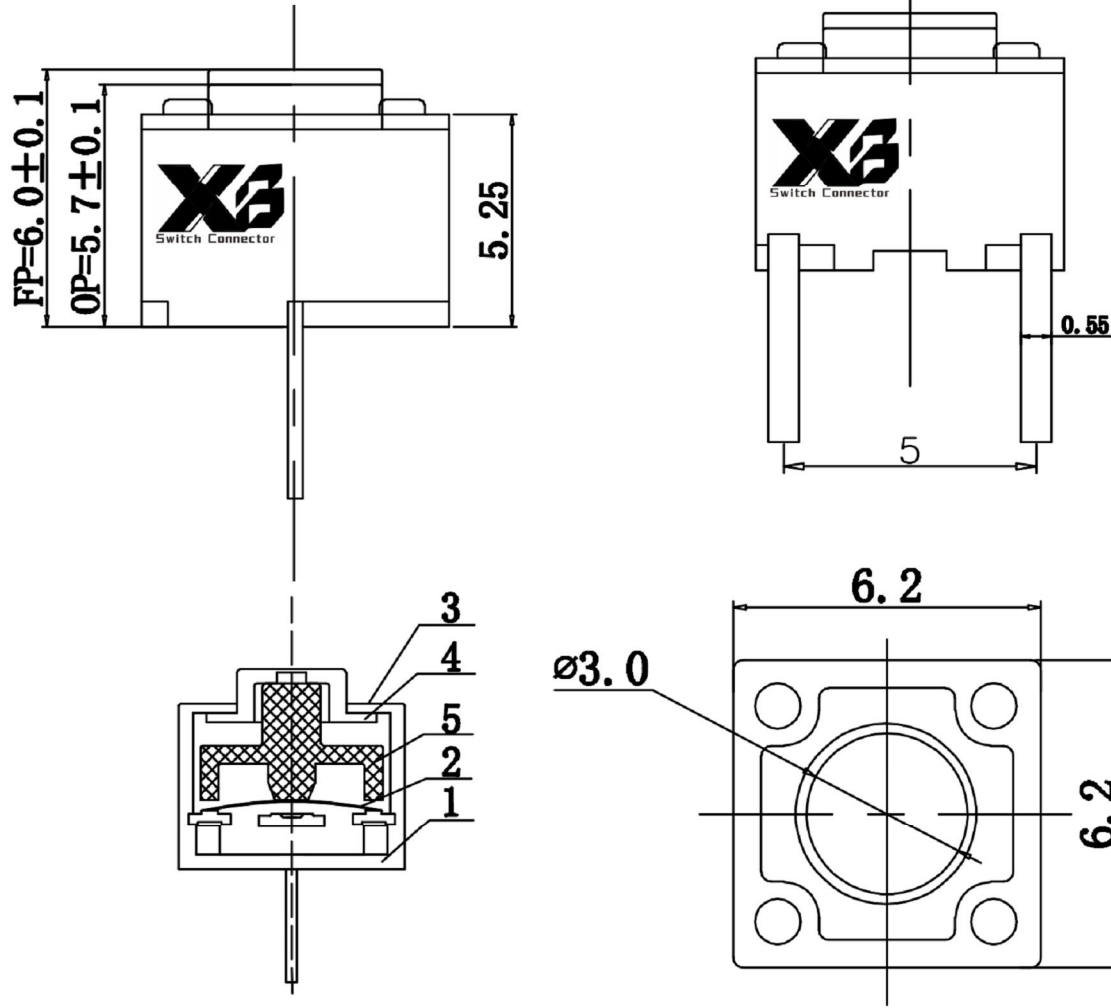
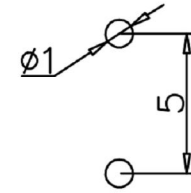


ROHS



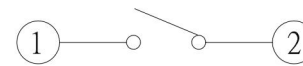
安装孔位图



PCB LAYOUT MOUNTING PATTERN

SPECIFICATIONS

Rating	DC 12V 50mA
Contact Resistance	100mΩ Max.
Travel	0.3 ± 0.1mm
Operating Force	60gf 70gf 80gf 90gf
Operating Life(cycles)	100,000



CIRCUIT DIAGRAM

5	MWK2DV.2152-001	内手柄	1	硅胶
4	MWK2DV.014A-001	按钮	1	PPA(黑)
3	MWK2DV.095A-001	盖板	1	PPA(黑)
2	MWK2DV.060B-0A1	簧片	1	单面厚银不锈钢0.05mm
1	MWK2DV.043A-245	底座组	1	PPA(灰色) 黄铜带H65Y0.3mm
序号	编号	材料	数量	材料

The material contained in this drawing is the property of XiBang. Any use other than that specifically authorized by XiBang is prohibited. The above drawing IS subjected to change for improvement without prior notice.



东莞市溪榜电子有限公司
DONG GUAN XI BANG ELECTRONICS CO., LTD

TITLE : XB TACT SWITCH

MODEL : XB-TS-2DV-060轻触开关灰色底座黑色按钮 6.2x6.2x6.0mm



TOLERANCE
≤1.5mm ± 0.1
> 1.5mm ± 0.2
>=10.0mm ± 0.3

ANGLE TOL
± 2°

UNIT : MM	DWN.	DATE	
SCALE : 5 : 1	CHK'D	DATE	
VERSION : 01	APPD.	DATE	

8	REEL	PS	1	BLUE
7	CARRIER	PS	1	CLEAR
6	COVER TAPE	PS	1	CLEAR
5	CONTACT	PBS STRIP	1	Ag CLAD
4	COVER	IRON STRIP	1	Ni PLATED
3	CASE	NYLON	1	BLACK
2	TERMINAL	BRASS STRIP	2	Ag PLATED
1	KNOB	NYLON	1	BLACK
NO.	PART NAME	MATERIAL	QTY.	FINISHING