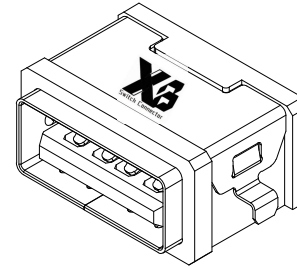
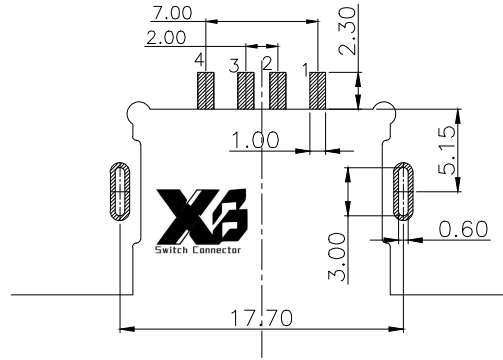
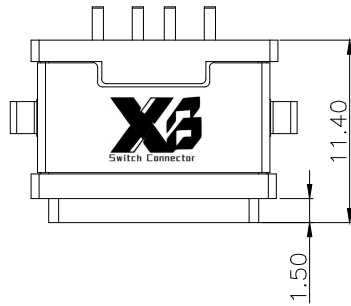


**ROHS**

CAD GENERATED DRAWING. DON'T CHANGE BY HAND.

REV.	ECN. NO.	APPD.



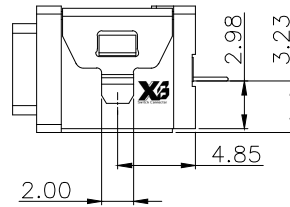
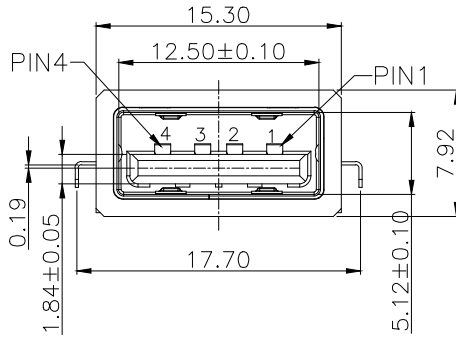
**NOTES:**

**SPECIFICATION:**

1. CURRENT RATING: 3.0A MAX
2. DIELECTRIC WITHSTAND VOLTAGE: 100VAC
3. TEMPERATURE RANGE: -30 °C ~ 85 °C
4. CONTACT RESISTANCE: 40 MILLIONHM MAX
5. INSULATION RESISTANCE: 100 MEGOHMS MIN.
6. INSERTION FORCE :10N~30N
7. UNMATING FORCE: 8N~30N
8. DURABILITY:1500 CYCLES

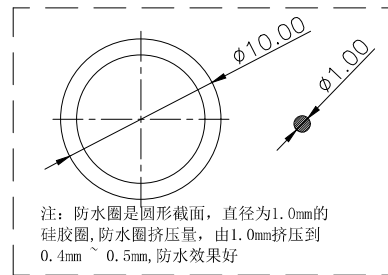
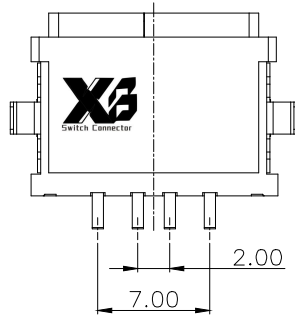
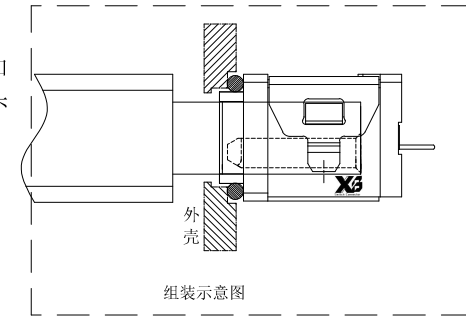
**RECOMMENDED PCB LAYOUT(TOP VIEW)**

THICKNESS T=1.0mm  
DEFAULT TOLERANCE+/-0.05



**结构设计注意:**

1. 成品使用时，如有洗面奶泡沫、牙膏、洗手液、脏污液体，请在USB口外面再设计一层外壳，保护USB与公头对插的导电部份不会被脏污覆盖。



**PIN ASSIGNMENT**

PIN NO.	1	2	3	4
SIGNAL NAME	VBUS	D-	D+	GND

5	Outer Shell	1	SUS 301 1/4H	
4	Inner Shell	1	SUS 301 1/4H	
3	PLASTIC Shell	1	PA10T (G.F30%)	
2	Contact	4	C7025 Ni 50U" Au1U" Plating Solder area Sn 100-150U	
1	Housing	1	PA10T (G.F30%)	
ITEM	PART NAME	Q' TY	FINISH	NOTE
.X	± 0.50	.X.° ± 2°	UNITS	<b>东莞市溪榜电子有限公司</b> DONG GUAN XI BANG ELECTRONICS CO., LTD
.X	± 0.30	.X° ± 1°	mm	
.XX	± 0.10	.XX° ± 0.5°	MAT'L	
.XXX	± 0.05			PART NO. XB-SUA-WP110H53C-1PX7 防水USB插座沉板AF
THESE DRAWINGS AND SPECIFICATIONS ARE THE PROPERTY OF XI BANG ELECTRONIC TECHNOLOGY CO., LTD. AND SHALL NOT BE REPRODUCED, COPIED OR USED IN ANY MANNER WITHOUT THE PRIOR WRITTEN CONSENT OF XI BANG ELECTRONIC TECHNOLOGY CO., LTD			FINISH APPD: GAO. PENG CHKD: HE. LONG. FEI DR: PANG. DONG	TITLE: WATERPROFF USB 2.0 A TYPE DWG NO. : XB-SUA-WP110H53C-1PX7
			Q' TY SCALE SHEET REV. 1/1 1/1 A1	