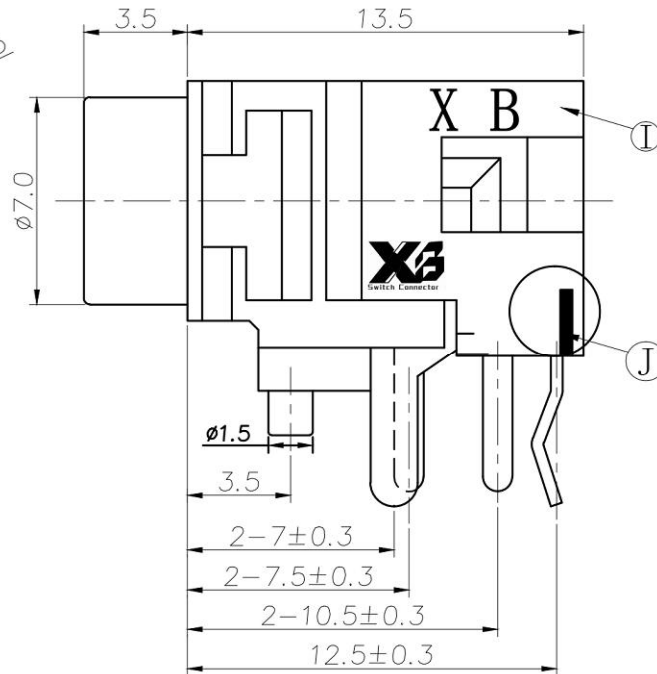
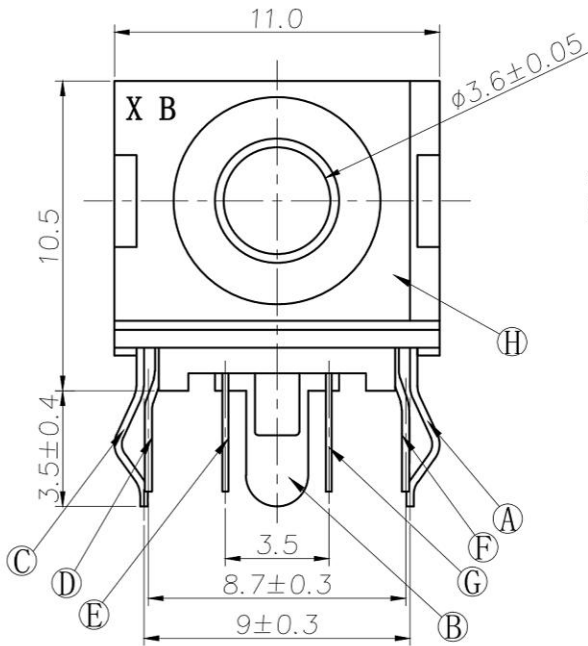
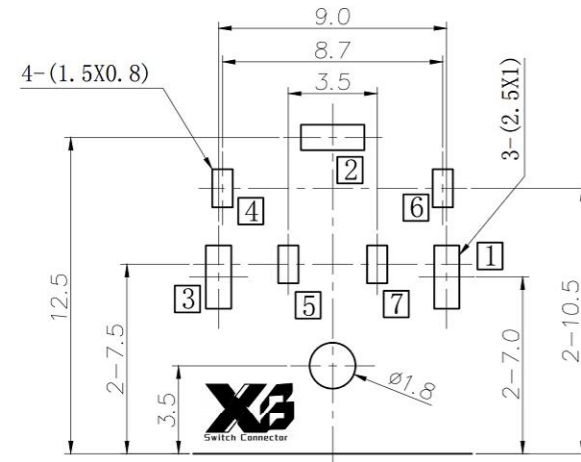


# ROHS

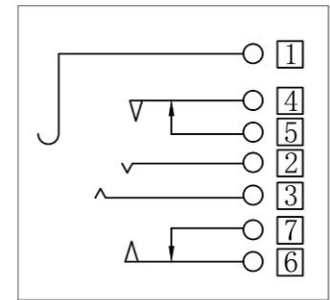


MATE PLUG



HOLE LAYOUT  
(BOTTOM VIEW)

SCHEMATIC



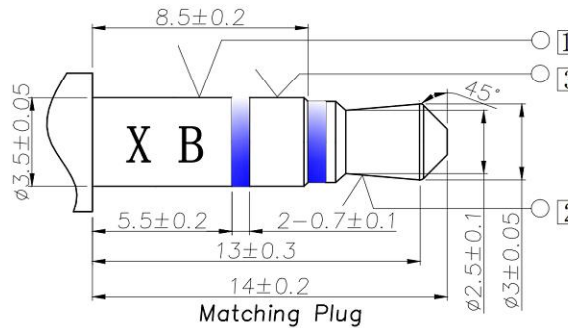
**SPECIFICATION:**

**1. Electrical Characteristics**

- 1-1. Current Rating: 0.5A
- 1-2. Voltage Rating: 30V.
- 1-3. Contact Resistance: 30mΩ Max.
- 1-4. Insulation Resistance: 100MΩ Min(500V DC).
- 1-5. Withstanding Voltage: 500V AC for 1 Minute

**2. Mechanical characteristics**

- 2-1. Life Test: 5000 Cycles Min.
- 2-2. Mating Force: 3-30N,  
Unmating Force: 3-30N.



Matching Plug

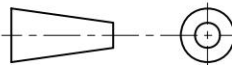
NO.	DESCRIPTION	QTY	MATERIAL	REMARK
Ⓚ	Insulators	1	PA	Black
Ⓛ	Cover	1	PBT	Black
Ⓜ	Housing	1	PBT	Black
Ⓝ	Switch Baffle	7	Copper Alloy	Plating Ag
Ⓣ	Switch Spring	6	Copper Alloy	Plating Ag
Ⓧ	Switch Baffle	5	Copper Alloy	Plating Ag
Ⓨ	Switch Spring	4	Copper Alloy	Plating Ag
Ⓩ	Ring Spring	3	Copper Alloy	Plating Ag
Ⓟ	Tip Spring	2	Copper Alloy	Plating Ag
Ⓡ	Earth Spring	1	Copper Alloy	Plating Ag



东莞市溪榜电子有限公司  
DONG GUAN XI BANG ELECTRONICS CO., LTD

TITLE : XB Audio jack

MODEL : XB-PJ-3350



UNIT	MM	DWN.	ZENQ. CHEN	DATE	TOLERANCE	ANGLE TOL
SCALE	3 : 1	CHK'D	DONG. PANG	DATE	<= 1.5mm ± 0.1	± 2°
VERSION	01	APPD.	FEI. LONG. HE	DATE	> 1.5mm ± 0.2	
					>= 10.0mm ± 0.3	

NO.	PART NAME	MATERIAL	QTY	FINISHING
2	TERMINAL	PBS STRIP	5	Ag PLATED
1	HOUSING	PBT	1	BLACK