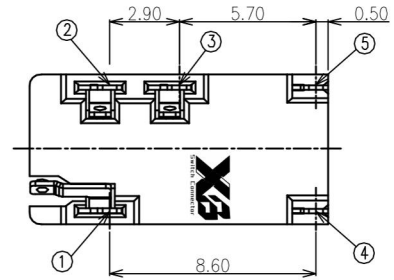
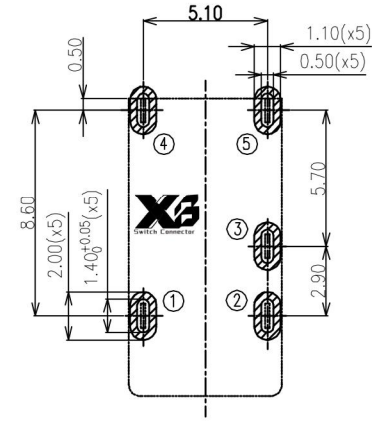
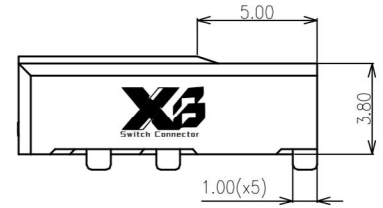
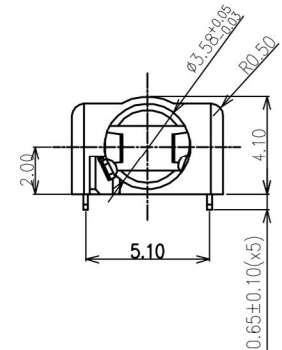
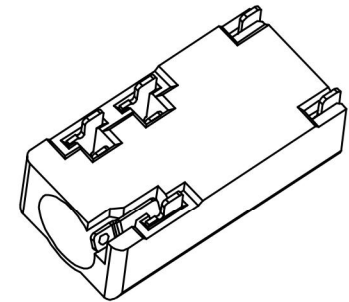
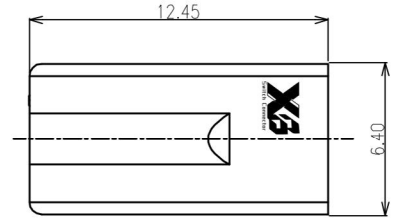


**ROHS**

REV	ECN #	DESCRIPTION	DRAWING	APPROVED	DATE
A		NEW RELEASE			2014/09/13
B		依实际需要修改4#&5#为不锈钢材质。			2019/12/30



RECOMMENDED PCB LAYOUT  
TOLERANCES  $\pm 0.05$  (TOP VIEW)

PRODUCT NO.

XB-PJ-33-05AB03-01

① ② ③ ④

① PRODUCT SERIES:  
PJ33: PHONE JACK CONNECTOR

② PIN NO.:

05: 5PIN

③ MATERIAL:

A: PA-9T

④ SERIES NO.:

01: 圆口型

NOTES :

1.0) RATING :

- 1.1. VOLTAGE : 12 VDC (R.M.S.)
- 1.2. CURRENT : 1 AMPERE MAXIMUM PER CONTACT AT 30°C T-RISE
- 1.3. TEMPERATURE : -25°C TO +85°C

2.0) ELECTRICAL CHARACTERISTIC

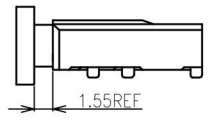
- 2.1. CONTACT RESISTANCE : INITIAL 50mΩ MAX.
- 2.2. INSULATION RESISTANCE : 100 MΩ MIN.
- 2.3. DIELECTIC WITHSTANDING VOLTAGE : 500 VAC AT SEA LEVEL

3.0) MECHANICAL :

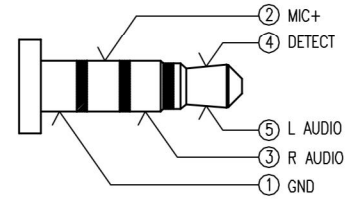
- 3.1. DURABILITY ,MINIMUM: MATED 5000 CYCLES WITHOUT DEGRADING ELECTRICAL
- 3.2. INITIAL:MATING FORCE: 300g~3000g.UNMATING FORCE: 300g~3000g
- 3.3. AFTER LIFE TESTING:MATING FORCE: 300g~3000g.UNMATING FORCE: 300g~3000g

TABLE A:

6	HOUSING	1	HIGH TEMPERATURE UL 94-V0 BLACK
5	CONTACT 5	1	SUS304/CONTACT AREA GOLD PLATED
4	CONTACT 4	1	SUS304/CONTACT AREA GOLD PLATED
3	CONTACT 3	1	COPPER ALLOY/CONTACT AREA GOLD PLATED
2	CONTACT 2	1	COPPER ALLOY/CONTACT AREA GOLD PLATED
1	CONTACT 1	1	COPPER ALLOY/CONTACT AREA GOLD PLATED
ITEM	NAME	Q'TY	MATERIAL / FINISH



PLUG MATED DIMENSION



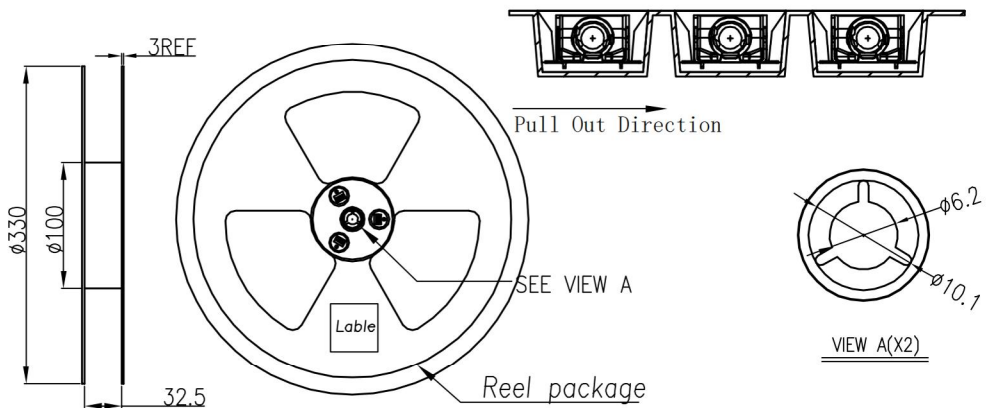
电原理图

CUSTOMER DRAWING		东莞市溪榜电子有限公司 DONG GUAN XI BANG ELECTRONICS CO., LTD			
GENERAL TOLERANCE	DRAWING	高鹏	TITLE: 3. 8H斜口圆口型耳机座		
X .X $\pm 0.20$ .XX $\pm 0.15$ .XXX $\pm 0.10$	APPROVED	庞东	P/N: XB-PJ-33-05AB03-01		
ANGEL TOLERANCE	DATE	2024. 4. 18	DRAWING NO. XB-C-PJ33-01		
X $\pm 3^\circ$ .XX $\pm 2^\circ$ .XXX $\pm 1^\circ$	UNIT	mm	SCALE	1:1	SIZE A4 SHEET 1of2 REV B

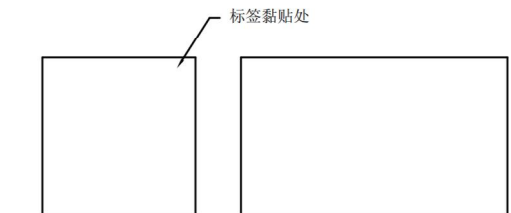
# ROHS

## □ Packing Notes:

1. Reel : 1000pcs/ Reel.
2. Carton : 11000pcs/ 11 Reel/ Carton.

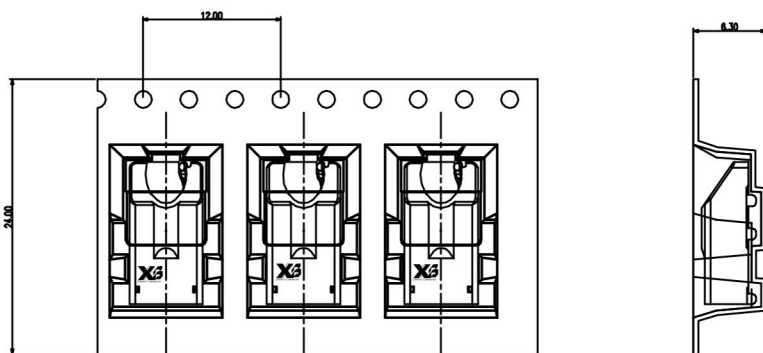
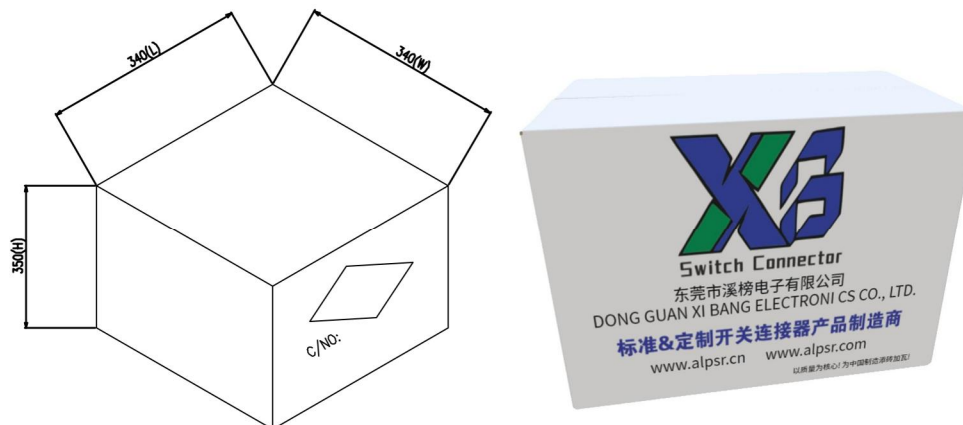
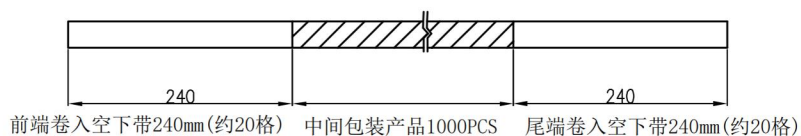


- 1) 用TAPE将纸箱封实.
- 2) 将标签贴于纸箱侧 麦上方.



备 注 (REMARK)

- 1). 若有未装满之零数箱, 必须以缓冲材塞满.
- 2). 在搬运过程中要轻拿轻放.
- 3). 在运输中不可堆放过多, 不可有重压现象.
- 4). 上带在黏贴下带时必须平整, 且黏贴处不要出现气泡.



<b>CUSTOMER DRAWING</b>	 <b>东莞市溪榜电子有限公司</b> DONG GUAN XI BANG ELECTRONICS CO., LTD	
	DRAWING	高鹏
GENERAL TOLERANCE X. ±0.20 .X ±0.15 .XX ±0.10 .XXX ±0.10	APPROVED	庞东
ANGEL TOLERANCE X. ±3° .XX ±2° .XXX ±1°	DATE	2024. 4. 18
	TITLE:	PJ33耳机座3.8H斜口圆口型包装图
	P/N:	XB-PJ-33-05AB03-01
	DRAWING NO.	XB-C-PJ-33-01
	UNIT	mm
	SCALE	1:1
	SIZE	A4
	SHEET	2of2
	REV	B