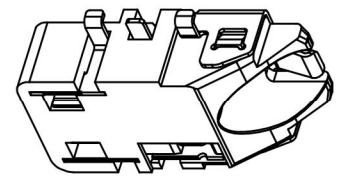
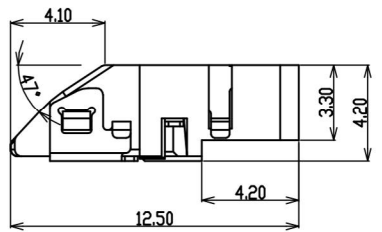
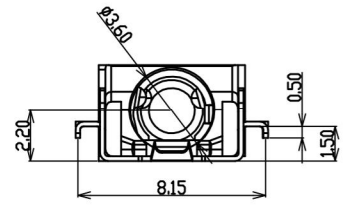
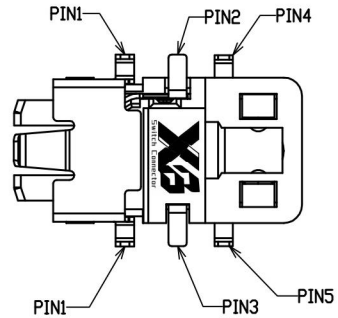
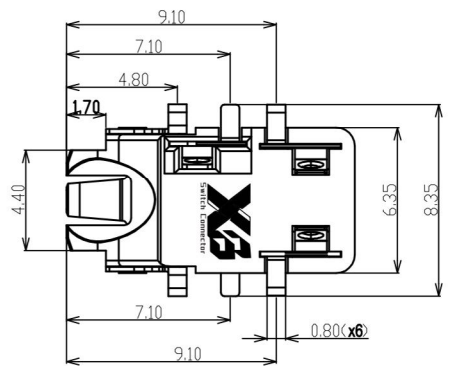


ROHS

REV	ECN #	DESCRIPTION	DRAWING	APPROVED	DATE
A		NEW RELEASE			2015/02/03



NOTES :

1.0) RATING :

1.1. VOLTAGE : 12 VDC (R.M.S.)

1.2. CURRENT : 1 AMPERE MAXIMUM PER CONTACT AT 30°C T-RISE

1.3. TEMPERATURE : -25°C TO +85°C

2.0) ELECTRICAL CHARACTERISTIC

2.1. CONTACT RESISTANCE : INITIAL 50mΩ MAX. AFTER 100m

2.2. INSULATION RESISTANCE : 100 MΩ MIN.

2.3. DIELECTRIC WITHSTANDING VOLTAGE : 500 VAC AT SEA LEVEL

3.0) MECHANICAL :

3.1. DURABILITY ,MINIMUM: MATED 5000 CYCLES WITHOUT DEGRADING ELECTRICAL

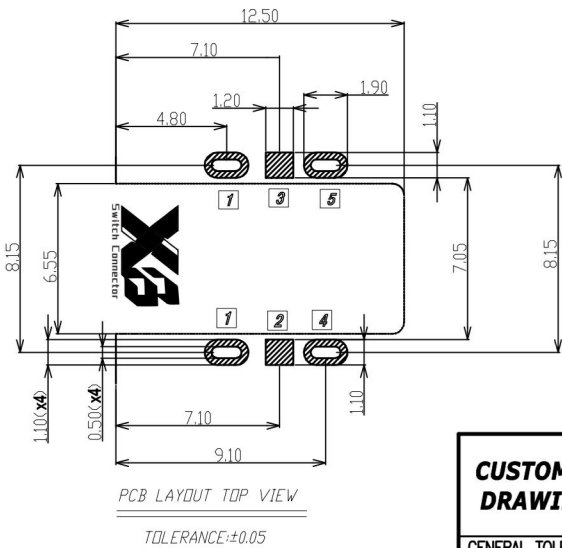
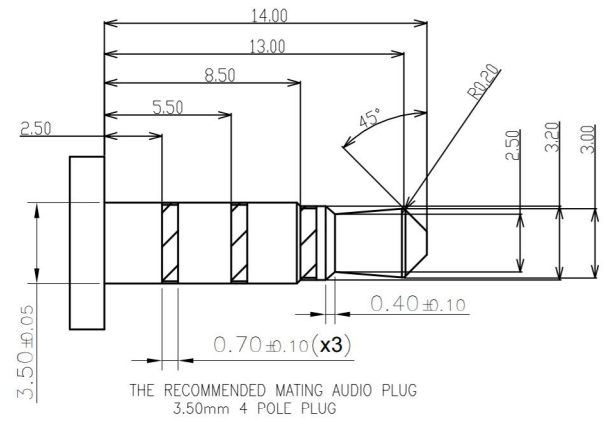
3.2. INITIAL:MATING FORCE: 300g~2000g.UNMATING FORCE: 300g~2000g

3.3. AFTER LIFE TESTING:MATING FORCE: 300g~2000g.UNMATING FORCE: 300g~2000g

PRODUCT NO.
XB-PJ-32-01

① ② ③ ④

- ① PRODUCT SERIES:
PJ32: PHONE JACK CONNECTOR
- ② PIN NO. :
06: 6PIN
- ③ MATERIAL:
A: PA-9T
- ④ SERIES NO. :
01:斜头前后插板, 正沉1.5mm



CUSTOMER DRAWING	东莞市溪榜电子有限公司 DONG GUAN XI BANG ELECTRONICS CO., LTD	
	DRAWING	高鹏
	APPROVED	庞东
	DATE	2024. 4. 18
GENERAL TOLERANCE X .X ±0.20 .XX ±0.15 .XXX ±0.10	TITLE: AUDIO JACK斜头前后插板, 正沉1.5mm	P/N: XB-PJ-32-01
ANGLE TOLERANCE X ±3' .XX ±2' .XXX ±1'	DRAWING NO. XB-C-PJ32-01	UNIT mm SCALE 1:1 SIZE A4 SHEET 1of1 REV A