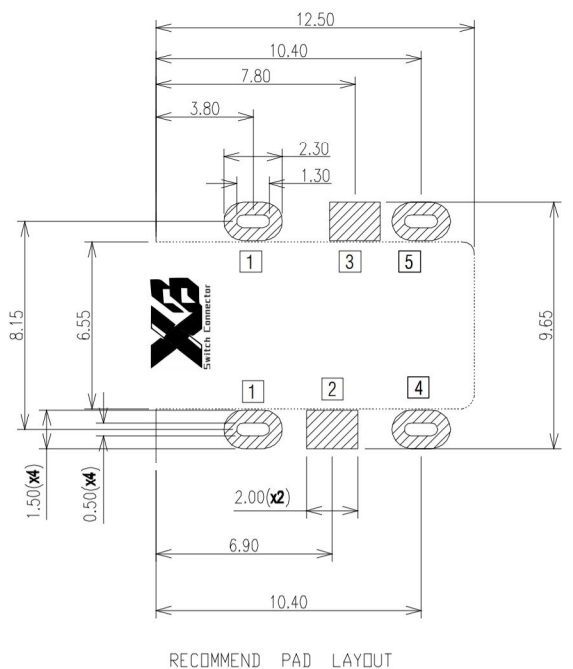
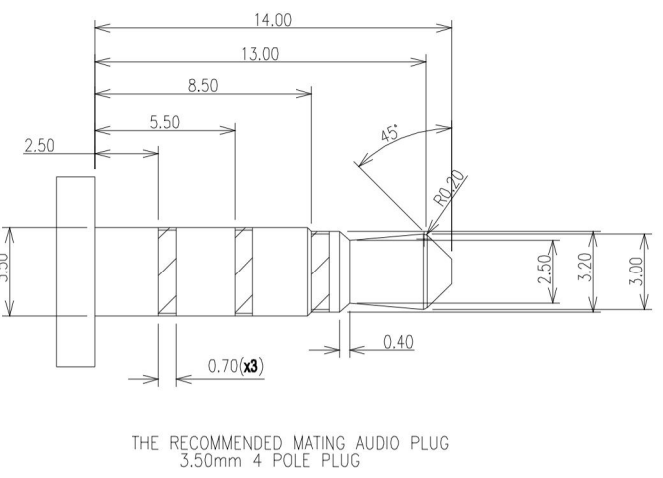
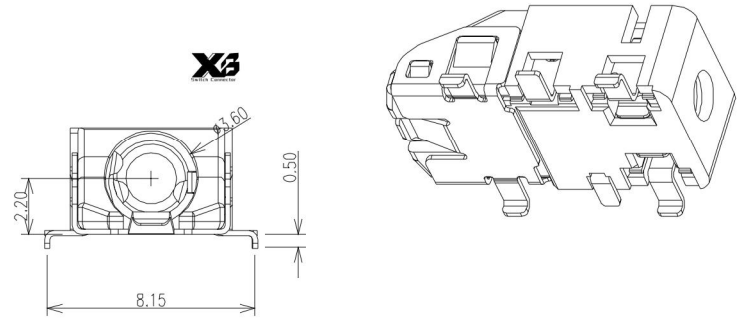
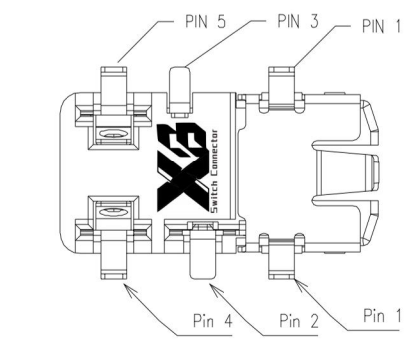
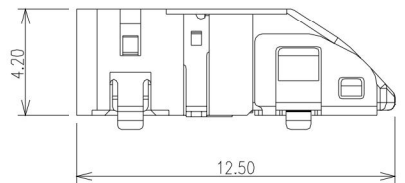
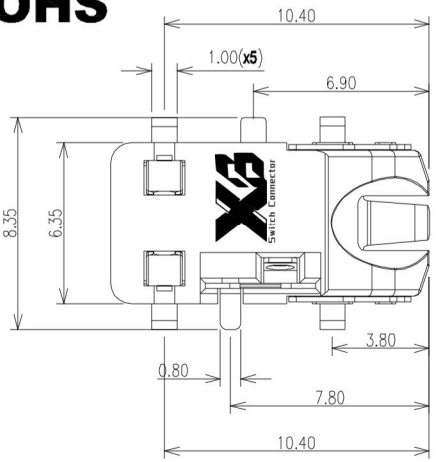


ROHS



REV	ECN #	DESCRIPTION	DRAWING	APPROVED	DATE
A		NEW RELEASE			2012/05/25

NOTES :

1.0) RATING :

1.1. VOLTAGE : 12 VDC (R.M.S.)

1.2. CURRENT : 1 AMPERE MAXIMUM PER CONTACT AT 30°C T-RISE

1.3. TEMPERATURE : -25°C TO +85°C

2.0) ELECTRICAL CHARACTERISTIC

2.1. CONTACT RESISTANCE : INITIAL 50mΩ MAX. AFTER 100m

2.2. INSULATION RESISTANCE : 100 MΩ MIN.

2.3. DIELECTIC WITHSTANDING VOLTAGE : 500 VAC AT SEA LEVEL

3.0) MECHANICAL :

3.1. DURABILITY ,MINIMUM: MATED 5000 CYCLES WITHOUT DEGRADING ELECTRICAL

3.2. INITIAL:MATING FORCE: 300g~2000g.UNMATING FORCE: 300g~2000g

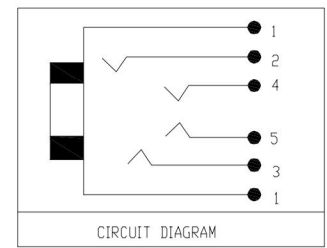
3.3. AFTER LIFE TESTING:MATING FORCE: 300g~2000g.UNMATING FORCE: 300g~2000g

PRODUCT NO.

XB-PJ-27-06AB03-07

① ② ③ ④

- ① PRODUCT SERIES:
PJ27: PHONE JACK CONNECTOR
- ② PIN NO. :
06:6PIN
- ③ MATERIAL:
A: LCP
- ④ SERIES NO. :
07:板上型, 前插后插



CUSTOMER DRAWING GENERAL TOLERANCE X. .X ±0.20 .XX ±0.15 .XXX ±0.10 ANGEL TOLERANCE X. ±3° .XX ±2° .XXX ±1°	东莞市溪榜电子有限公司 DONG GUAN XI BANG ELECTRONICS CO., LTD	TITLE: AUDIO JACK 3.5mm 斜头 板上型 (前插后插)		
	DRAWING 高鹏	P/N: XB-PJ-27-06AB03-07		
	APPROVED 庞东	DRAWING NO. XB-C-PJ27-07		
	DATE 2024. 4. 18			
UNIT mm SCALE 1:1		SIZE A4	SHEET 1of1	REV A