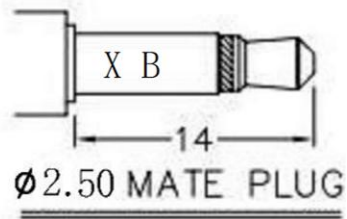
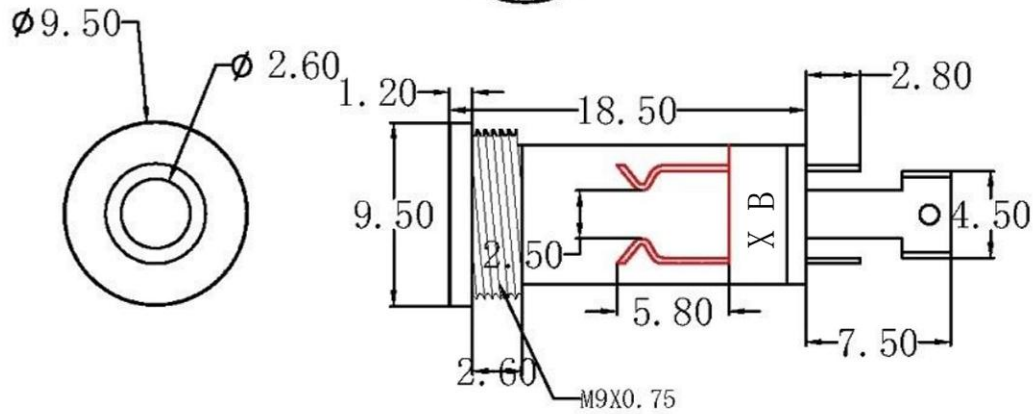
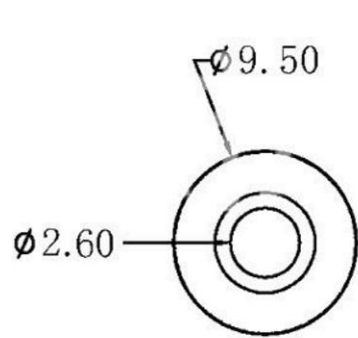
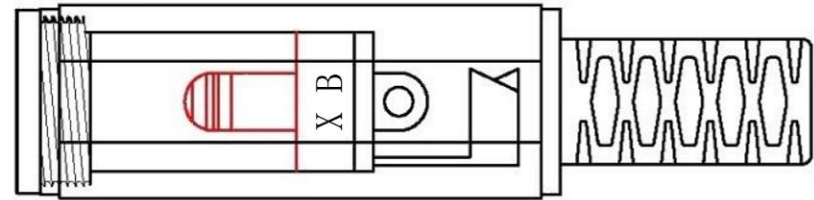
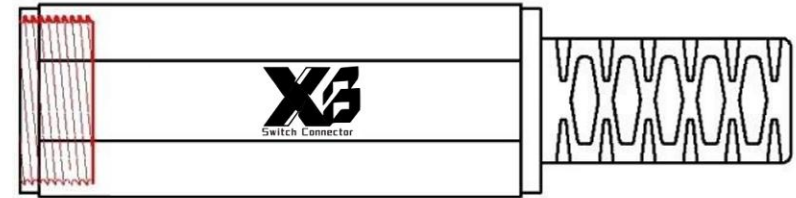
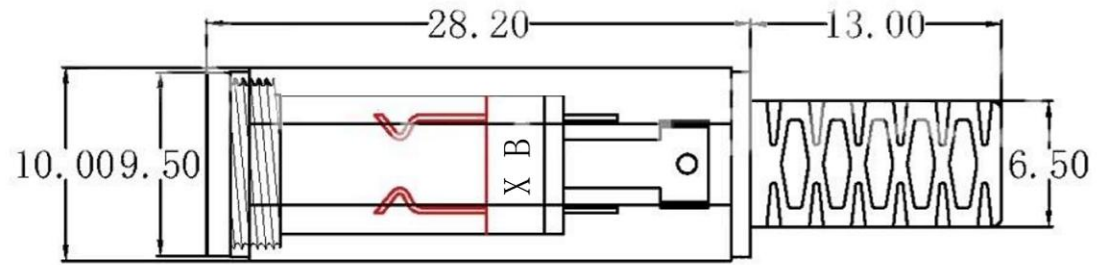


# ROHS



Schematic	
PIN	
1	sleeve
2	tip



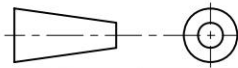
### SPECIFICATION

1. Rating : DC 30V 0.5A ; 1.0A ;
2. Contact resistance :  $\leq 30m\Omega$  ;
3. Insulation resistance :  $\geq 100M\Omega$  ;
4. Withstand voltage : 500VAC ;
5. Insertion and extraction force : 3-20N
6. life test : 5,000 cycles °



东莞市溪榜电子有限公司  
DONG GUAN XI BANG ELECTRONICS CO., LTD

TITLE : XB Audio jack  
MODEL : XB-PJ-1039-25 2.5音频插座带护套焊线式



UNIT : MM	DWN.	ZENQ. CHEN	DATE		TOLERANCE	ANGLE TOL
SCALE : 3 : 1	CHK'D	DONG. PANG	DATE		$\leq 1.5mm \pm 0.1$	$\pm 2^\circ$
VERSION	01	APPD.	FEI. LONG. HE	DATE	$> 1.5mm \pm 0.2$	
					$> 10.0mm \pm 0.3$	

NO.	2	TERMINAL	PBS STRIP	5	Ag PLATED
	1	HOUSING	PBT	1	BLACK
		PART NAME	MATERIAL	QTY.	FINISHING