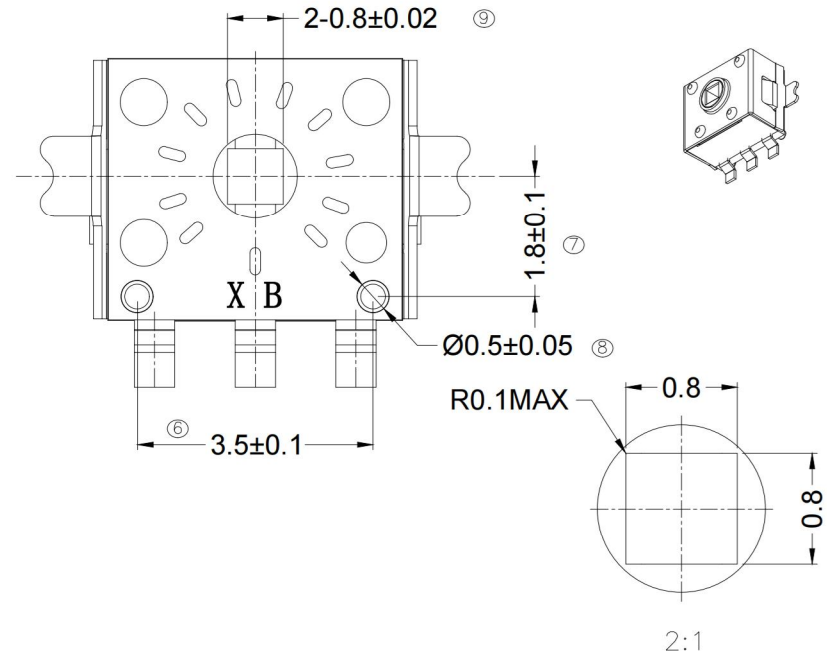
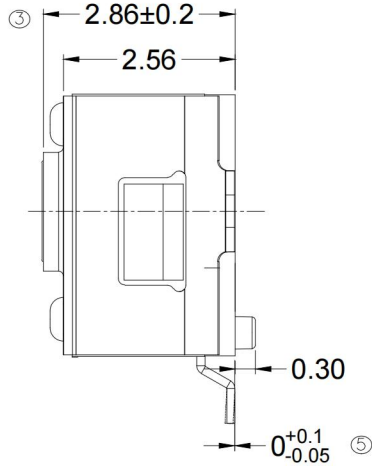
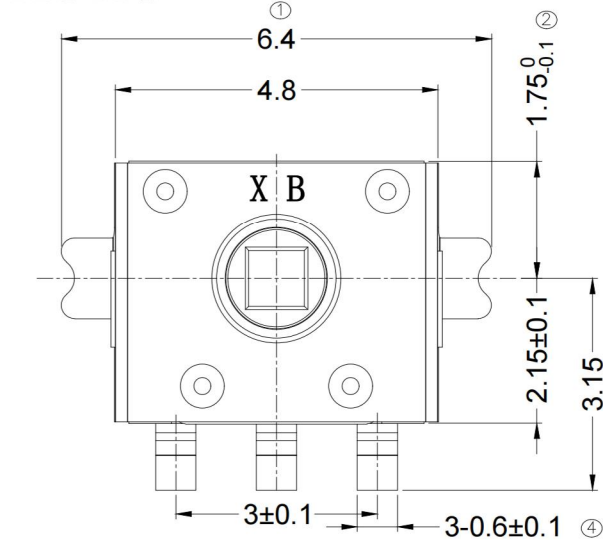
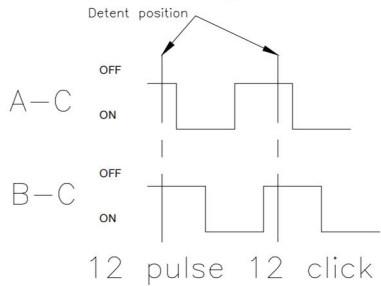
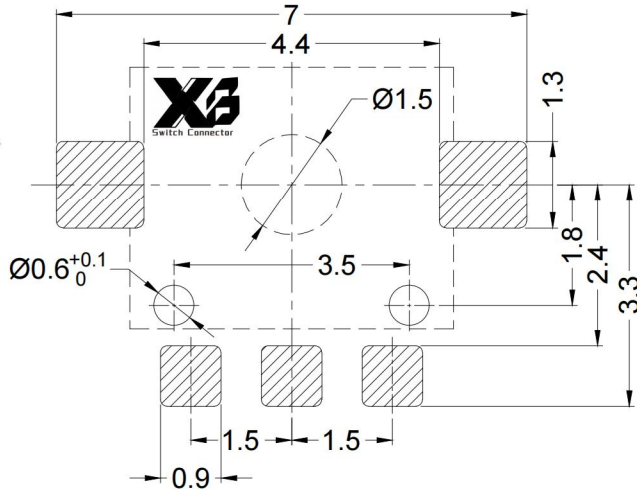
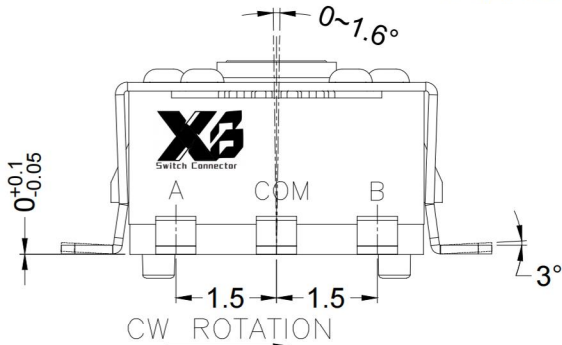


ROHS



(Tolerance: ±0.1)
(P.C.B thickness t=0.3~0.5)



1. Material list

ITEM	NAME	MATERIAL
1	Cover	Copper alloy(5191)
2	Wheel gear	Engineering plastions(PA)
3	Base	Engineering plastions(PA)
4	ContactSpring	Copper alloy(5210)
5	Terminal	Copper alloy(C5191)

气候等级 Climate grade	额定值 Rated values	接触电阻 Contact resistance	耐压 Dielectric strength	绝缘电阻 Insulation resistance	按压力 Operating force	行程 Travel	寿命 Life
-30℃~+85℃	Max50 mA12V DC Min10 mA12V DC	≤50mΩ	100V AC, 1Min	≥100MΩ	10gf±5gf	0.15±0.05	100000次

XB 东莞市溪榜电子有限公司
Switch Connector DONG GUAN XI BANG ELECTRONICS CO., LTD

TOLERANCE UNLESS OTHERWISE STATED:
Up to 5 ±0.2
Above 5 ~ 15 ±0.3
Above 15 ~ 30 ±0.4
Above 30 ~ 50 ±0.5
Angle ±0.3°

3RD. ANGEL'S

UNITS MM

DRAWN BY: GAO. PENG	DATE 02/24/23	MAT'L	TITLE ENCODER
CHECKED BY: PANG. DONG	DATE 02/24/23	FINISH	MODLE 增量式全码无齿感旋转编码开关
APPROVED BY: YANG. JUN	DATE 02/24/23	SCALE 1 : 1	DWG NO. XB-EN-01-FSF
		SHEET NO. 1 of 1	PART NO. 4. 8x3. 9x2. 86mm
			SIZE A4
			VER R

ITEM NO.	DESCRIPTION	DRAWN	DATE