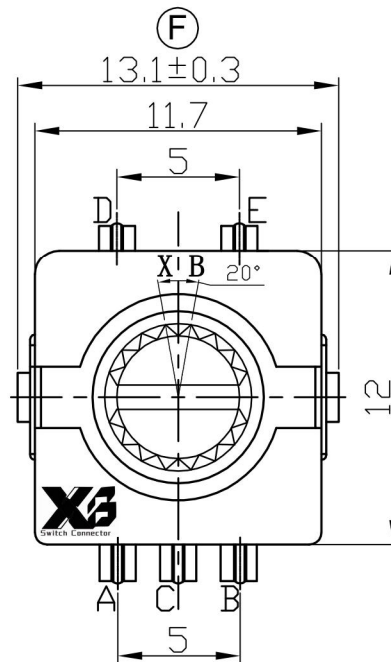
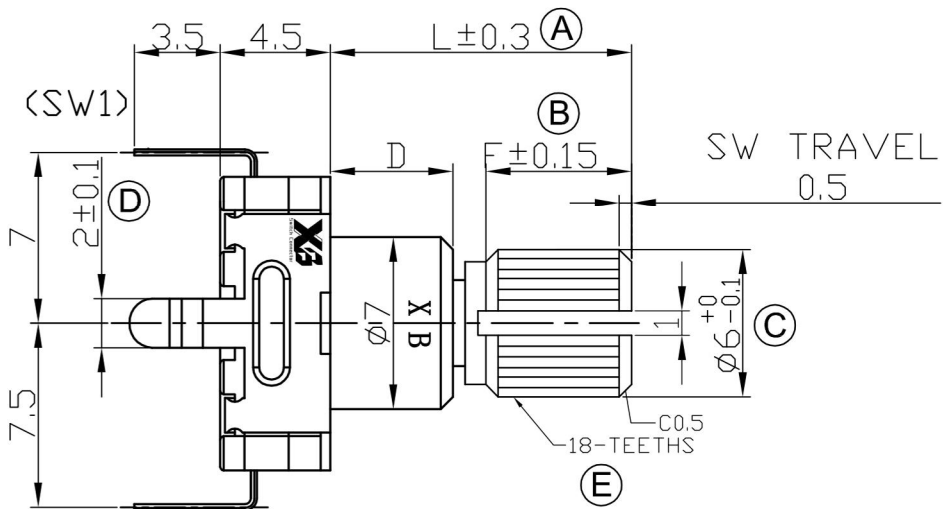
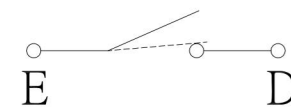


**ROHS**

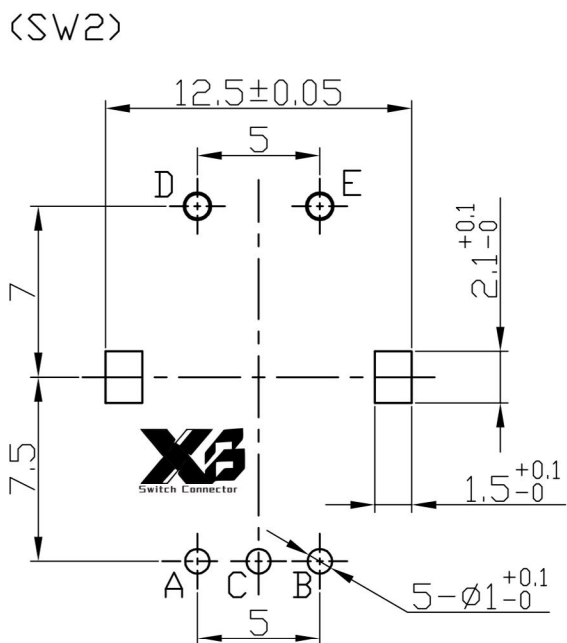
**DIMENSIONS**



**(SW02)CIRCUIT DIAGRAM**

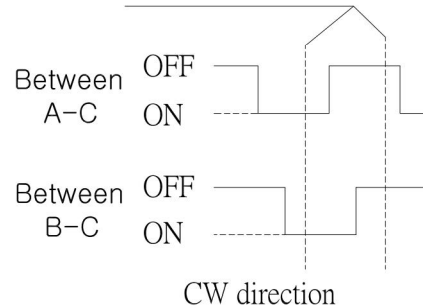


**(SW1)迴路圖  
SWITCH CIRCUIT**



**P.C.B MOUNTING HOLE DETAIL**

(SW01) ENCODER  
(SW02) PUSH ON SW  
CLICK Position



**(SW01) OUTPUT**

	X		
L	2	D=5.0	✓
	4	D=7.0	
F	7	D=3.5	

SPECIFICATION (INITIAL)	
RATING:	DC 5V 0.5mA 10mA
ANGLE:	FULL ROTATION ANGLE: 360 DEGREES
CONTACT RESIS TANCE:	100mΩ max
INSULATION RESISTANCE:	100MΩ DC 250V 1mA
WITHSTAND VOLTAGE:	300V AC/min or
OPERATION FORCE:	6 ± 3N 600gf ± 300gf
SWITCHING LIFE:	20,000 cycles

**XB 东莞市溪榜电子有限公司**  
DONG GUAN XI BANG ELECTRONICS CO., LTD

TOLERANCE UNLESS OTHERWISE STATED:  
Up to 5 ±0.2  
Above 5 ~ 15 ±0.3  
Above 15 ~ 30 ±0.4  
Above 30 ~ 50 ±0.5  
Angle ±0.3

3RD. ANGEL'S

UNITS MM

DRAWN BY:	GAO PENG	DATE	07/23/13	MAT'L		TITLE	ENCODER
CHECKED BY:	PANG DONG	DATE	07/23/13	FINISH		MODLE	ENCODER W/I SWITCH
APPROVED BY:	HE. LONG. FEI	DATE	07/23/13	SCALE	1 : 1	DWG. NO.	XB-EC-1102S-D2-K15
				SHEET NO.	1 of 1	PART NO.	
							SIZE A4
							VER R2