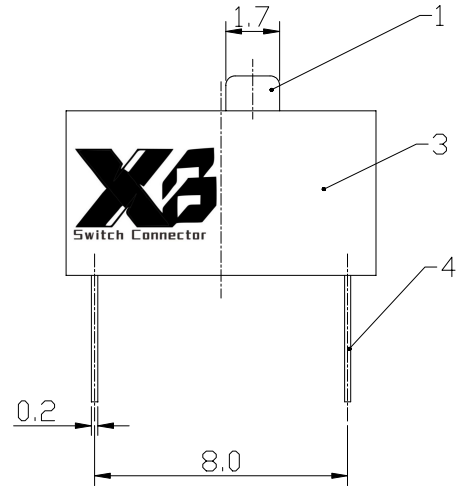
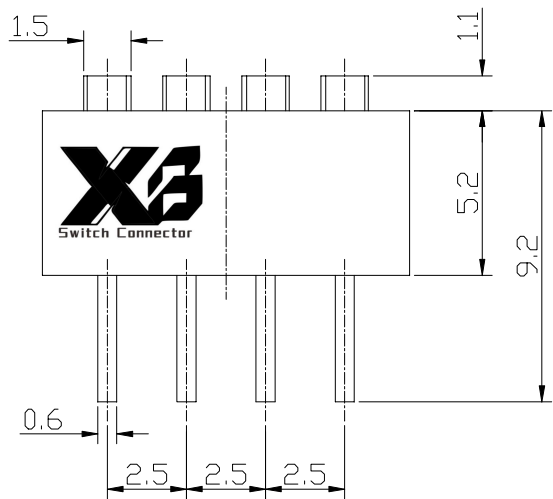
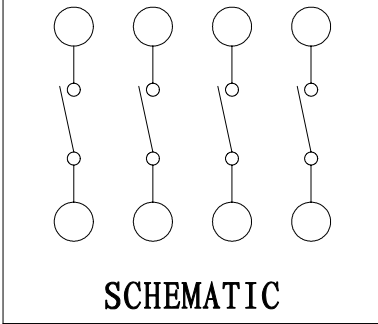
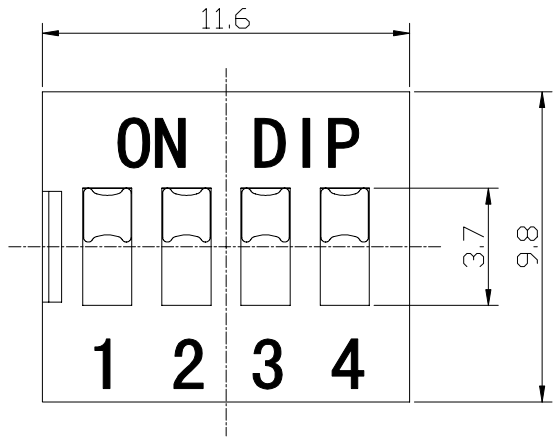


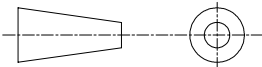
**ROHS**



**东莞市溪榜电子有限公司**  
DONG GUAN XI BANG ELECTRONICS CO., LTD

TITLE : SLIDE DIP SWITCH

MODEL : DIP-401 (Y001)



TOLERANCE  
≤ 5mm ±0.1  
> 5mm ±0.2  
ANGLE  
±0.2°

NO.	PART NAME	MATERIAL	QTY.	FINISHING
4	TERMINAL & CONTACT	PBS STRIP	8	Au PLATED
3	HOUSING	PC	1	RED
2	CASE	PC	1	BLACK
1	KNOB	POM	4	WHITE



UNIT :	MM	DWN.	DATE
SCALE :	4 : 1	CHK'D	DATE
VERSION	01	APPD.	DATE