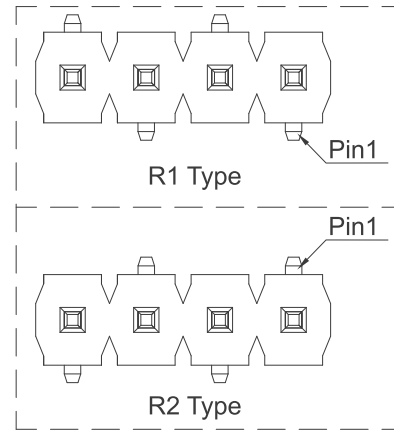


Specifications
 Current Rating: 7.9Amp
 Insulation Resistance: 1000MΩMin.
 Dielectric Withstanding Voltage: 1000VAC
 Contact Resistance: 30mΩMax.
 Operating Temperature: -40°C to +105°C
Materials
 Contact Material:
 Brass (Pin length less than 25mm)
 Phosphor Bronze (The total length of pin is more than 25mm)
 Insulator Material: High Temperature Thermoplastic, UL 94V-0 LCP or the equivalent material
 All materials must meet Greenconn hazardous substances control standards.



No. of PIN/ROW	Dimension Information	
	L	M
02	10.16	5.08
03	15.24	10.16
04	20.32	15.24
05	25.40	20.32
06	30.48	25.40
07	35.56	30.48
08	40.64	35.56
09	45.72	40.64
10	50.80	45.72
11	55.88	50.80
12	60.96	55.88
13	66.04	60.96
14	71.12	66.04
15	76.20	71.12
16	81.28	76.20
17	86.36	81.28
18	91.44	86.36
19	96.52	91.44
20	101.60	96.52

Ordering Information

XB-PZ-C-508-104

- Plastic specifications
 - 1=Single row
 - 2=Dual row
 - 3=Tripe row
 - 4=Quadruple
- Water code
- No. of Pins per Row 02~20
- Positioning column information
 - A=No locating post
 - B=Round post
 - C=Square post
- Pin length See the drawing
- Insulator Material
 - R=Nylon(Halogen Free)
 - C=LCP
- Color
 - 1=Black
 - 2=White
 - 3=Yellow
 - E=Beige
- Contact Material
 - A/S/K/T=Phosphor Bronze
 - B/Z/H/W=Brass
- Packing code
 - A=Box
 - B=Tray
 - C=Tube
 - D=Tape&Reel
 - E=Cap+Tube
 - F=Cap+Tape&Reel
 - G=Acetate Tape+Tube
 - H=Acetate Tape+Tape&Reel
- Plating code
 - 01=Tin
 - 02=Gold Flash
 - 05=Gold Flash/Tin
 - 22=Matte Tin

东莞市溪榜电子有限公司
 DONG GUAN XI BANG ELECTRONI CS CO., LTD.

REV.	UNIT.	SCALE.	PAGE.
01	mm	2:1	1/1

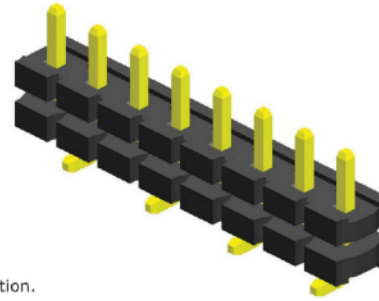
GENERAL TOLERANCE	
.X°±5.0°	X±0.30
.X°±3.0°	.X±0.25
.XX°±2.0°	.XX±0.15
.XXX°±1.0°	.XXX±0.10

DWG. NO.	XB-PZ-C-508-104
PART NO.	XB-PZ-C-508-104

TITLE.	Pitch 5.08mm Pin Header
--------	----------------------------

Specifications

Current Rating : 7.9 Ampere
 Insulation Resistance : 1000 MΩ Min
 Dielectric Withstanding : 1500V AC
 Contact Resistance : 20 mΩ Max
 Operating Temperature : -40°C to +105°C

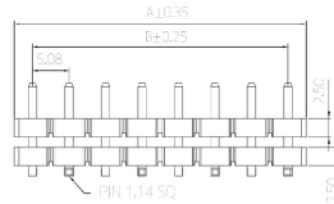
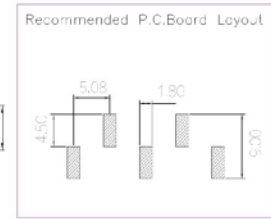


Materials

Contact Material : Brass
 Insulation Material : High Temperature Thermoplastic, 94V-0 LCP

All materials must meet Greenconn's requirements for environmental protection.

Mating with



* For Coded Dimension Not Inside The Table, Please Refer To "Ordering Information"

No. of Pins/Row	Dimension Information		No. of Pins/Row	Dimension Information	
	D	E		D	E
02	10.16	5.08	11	55.88	50.80
03	15.24	10.16	12	60.96	55.88
04	20.32	15.24	13	66.04	60.96
05	25.40	20.32	14	71.12	66.04
06	30.48	25.40	15	76.20	71.12
07	35.56	30.48	16	81.28	76.20
08	40.64	35.56	17	86.36	81.28
09	45.72	40.64	18	91.44	86.36
10	50.80	45.72	19	96.52	91.44
			20	101.60	96.52

XB 东莞市溪榜电子有限公司
 Dong Guan Xi Bang Electronics Co., Ltd.

REV. 01 UNIT. mm SCALE. 5:1 PAGE. 1/1

GENERAL TOLERANCE	
X. ± 5.0'	X. ± 0.30
.X' ± 3.0'	.X ± 0.25
.XX' ± 2.0'	.XX ± 0.15
.XXX' ± 1.0'	.XXX ± 0.10

DESIGN:	DATE:
CHECKED:	DATE:
AUDITED:	DATE:
APPROVED:	DATE:

DWG. NO. XB-PZ-C-508-104
 PART NO. XB-PZ-C-508-104

TITLE. 2.00 FEMALE HEADER SINGLE ROW DIP TYPE BASE 4.30H