

F

E

D

C

B

A

F

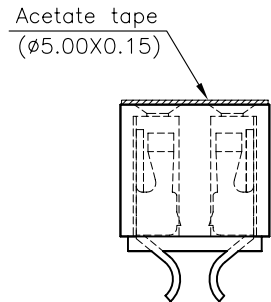
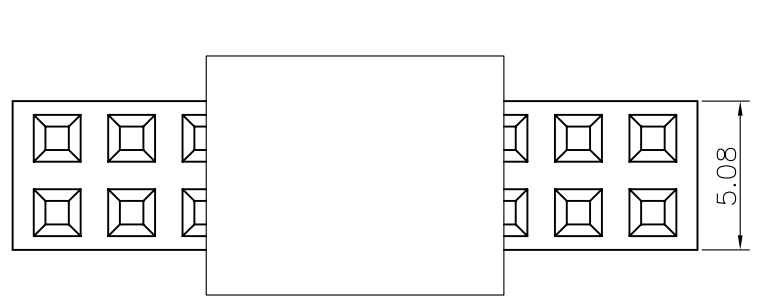
E

D

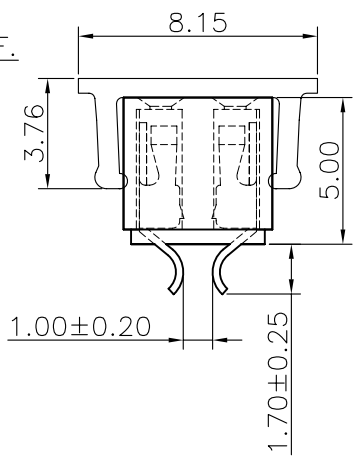
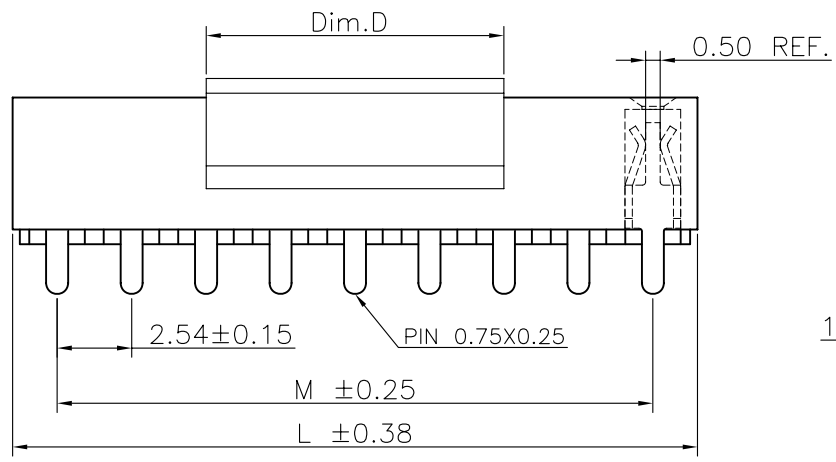
C

B

A



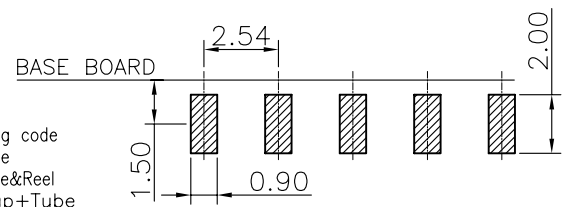
Specifications  
 Current Rating:3.0Amp  
 Insulation Resistance:1000MΩMin.  
 Dielectric Withstanding Voltage:600VAC  
 Contact Resistance:20mΩMax.  
 Operating Temperature:-40°C to +105°C  
 Materials  
 Contact Material:  
 Phosphor Bronze  
 Insulator Material:  
 Nylon(High temperature resistance),  
 LCP(High temperature resistance),  
 UL 94V-0  
 All materials must meet Greenconn  
 hazardous substances control standards.



Dim.D	NOTE
4.00mm	02~03Pin
10.15mm	04~40Pin

No. of PIN/ROW	Dimension Information	
	M	L
02	2.54	5.58
03	5.08	8.12
04	7.62	10.66
05	10.16	13.20
06	12.70	15.74
07	15.24	18.28
08	17.78	20.82
09	20.32	23.36
10	22.86	25.90
11	25.40	28.44
12	27.94	30.98
13	30.48	33.52
14	33.02	36.06
15	35.56	38.60
16	38.10	41.14
17	40.64	43.68
18	43.18	46.22
19	45.72	48.76
20	48.26	51.30
21	50.80	53.84
22	53.34	56.38
23	55.88	58.92
24	58.42	61.46
25	60.96	64.00
26	63.50	66.54
27	66.04	69.08
28	68.58	71.62
29	71.12	74.16
30	73.66	76.70
31	76.20	79.24
32	78.74	81.78
33	81.28	84.32
34	83.82	86.86
35	86.36	89.40
36	88.90	91.94
37	91.44	94.48
38	93.98	97.02
39	96.52	99.56
40	99.06	102.10

Recommended P.C.Board  
 Layout  
 (Tolerance:±0.05)



### Ordering Information

**XB-PM-E-254-206**

- Plastic specifications  
 1=Single row  
 2=Dual row  
 3=Tripe row  
 4=Quadruple
- Water code
- No. of Pins per Row  
 02~40
- Positioning column information  
 A=No locating post  
 B=Round post  
 C=Square post
- Plating code  
 01=Tin  
 02=Gold Flash  
 05=Gold Flash/Tin  
 22=Matte Tin
- Pin length  
 See the drawing
- Insulator Material  
 R=Nylon(Halogen Free)  
 C=LCP
- Color  
 1=Black  
 2=White  
 3=Yellow  
 E=Beige
- Contact Material  
 A/S/K/T=Phosphor Bronze
- Packing code  
 C=Tube  
 D=Tape&Reel  
 E=Cap+Tube  
 F=Cap+Tape&Reel  
 G=Acetate Tape+Tube  
 H=Acetate Tape+Tape&Reel

**东莞市溪榜电子有限公司**  
 DONG GUAN XI BANG ELECTRONICS CO., LTD.

GENERAL TOLERANCE	
X.*±5.0°	X.±0.30
.X*±3.0°	.X±0.25
.XX*±2.0°	.XX±0.15
.XXX*±1.0°	.XXX±0.10

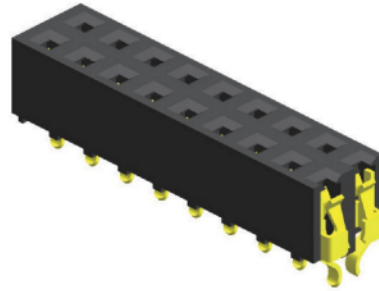
DWG. NO.	XB-PM-E-254-206
PART NO.	XB-PM-E-254-206

TITLE:  
 2.54 FEMALE HEADER  
 DUAL ROWS W/POST  
 CONNECTOR

REV. 01	UNIT. mm	SCALE. 4:1	PAGE. 1/1
---------	----------	------------	-----------

### Specifications

Current Rating : 3.0 Ampere  
 Insulation Resistance : 1000 MΩ Min  
 Dielectric Withstanding : 600V AC  
 Contact Resistance : 20 mΩ Max  
 Operating Temperature : -40°C to +105°C

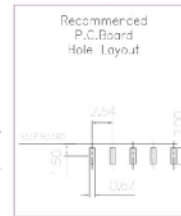
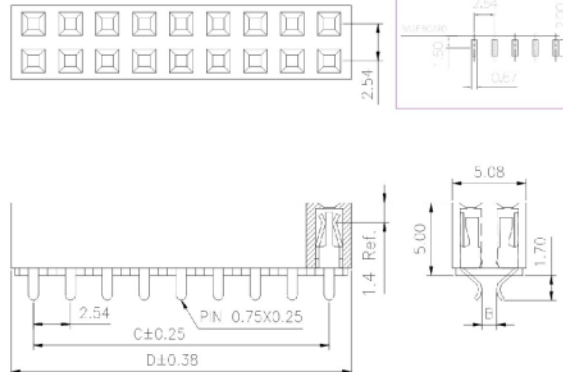
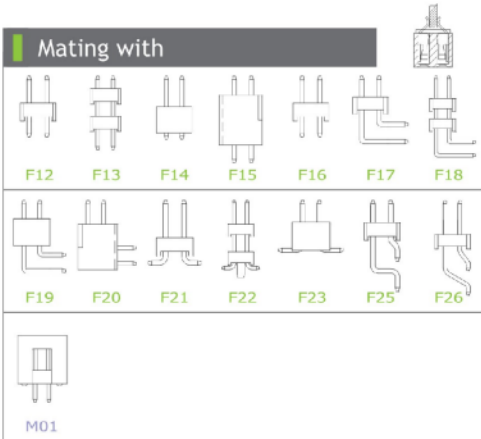


### Materials

Contact Material : Phosphor Bronze  
 Insulation Material : High Temperature Thermoplastic, 94V-0 Nylon

All materials must meet Greenconn's requirements for environmental protection.

### Mating with



P.S. : Suggested mating pin length : 3.0 ~ 4.5 mm

\* For Coded Dimension Not Inside The Table, Please Refer To "Ordering Information"

No. of Pins/Row	Dimension Information		No. of Pins/Row	Dimension Information		No. of Pins/Row	Dimension Information		No. of Pins/Row	Dimension Information	
	C	D		C	D		C	D		C	D
02	2.54	5.58	11	25.40	28.44	21	50.80	53.84	31	76.20	79.24
03	5.08	8.12	12	27.94	30.98	22	53.34	56.38	32	78.74	81.78
04	7.62	10.66	13	30.48	33.52	23	55.88	58.92	33	81.28	84.32
05	10.16	13.20	14	33.02	36.06	24	58.42	61.46	34	83.82	86.86
06	12.70	15.74	15	35.56	38.60	25	60.96	64.00	35	86.36	89.40
07	15.24	18.28	16	38.10	41.14	26	63.50	66.54	36	88.90	91.94
08	17.78	20.82	17	40.64	43.68	27	66.04	69.08	37	91.44	94.48
09	20.32	23.36	18	43.18	46.22	28	68.58	71.62	38	93.98	97.02
10	22.86	25.90	19	45.72	48.76	29	71.12	74.16	39	96.52	99.56
			20	48.26	51.30	30	73.66	76.70	40	99.06	102.10

**XB** 东莞市溪榜电子有限公司  
 DONG GUAN XI BANG ELECTRONICS CO., LTD.

REV. 01 UNIT. mm SCALE. 5:1 PAGE. 1/1

GENERAL TOLERANCE	
X.*±5.0'	X.±0.30
.X'±3.0'	.X±0.25
.XX'±2.0'	.XX±0.15
.XXX'±1.0'	.XXX±0.10

DESIGN:	DATE:
CHECKED:	DATE:
AUD TED:	DATE:
APPROVED:	DATE:

DWG. NO. XB-PM-E-254-206  
 PART NO. XB-PM-E-254-206

TITLE. 2.00 FEMALE HEADER SINGLE ROW DIP TYPE BASE 4.30H