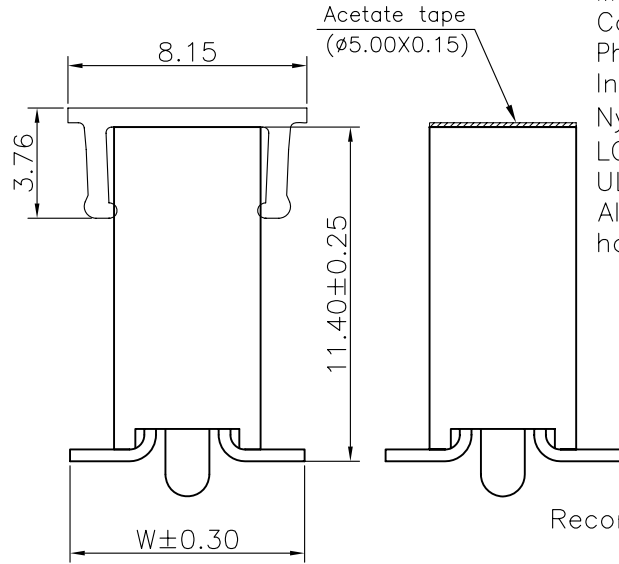
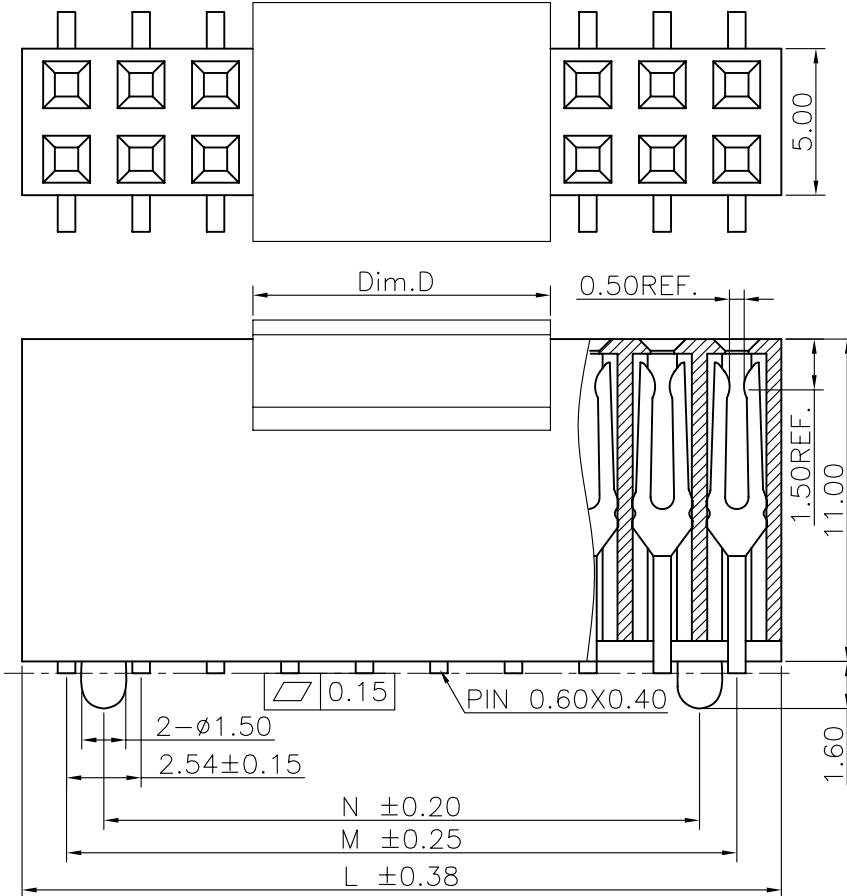
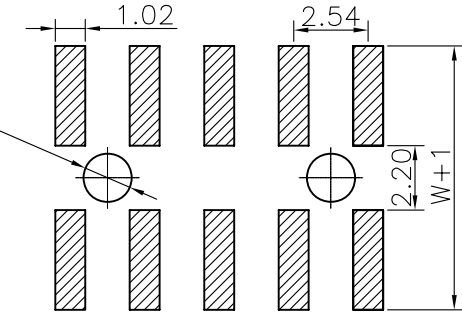


Dim.D	NOTE
4.00mm	02~03Pin
10.15mm	04~40Pin

Specifications
 Current Rating:3.0Amp
 Insulation Resistance:1000MΩMin.
 Dielectric Withstanding Voltage:600VAC
 Contact Resistance:20mΩMax.
 Operating Temperature:-40°C to +105°C
 Materials
 Contact Material:
 Phosphor Bronze
 Insulator Material:
 Nylon(High temperature resistance),
 LCP(High temperature resistance),
 UL 94V-0
 All materials must meet Greenconn
 hazardous substances control standards.



Recommended P.C.Board
 Layout
 (Tolerance:±0.05)



No. of PIN/ROW	Dimension Information		
	M	L	N
02	2.54	5.58	--
03	5.08	8.12	2.54
04	7.62	10.66	5.08
05	10.16	13.20	7.62
06	12.70	15.74	10.16
07	15.24	18.28	12.70
08	17.78	20.82	15.24
09	20.32	23.36	17.78
10	22.86	25.90	20.32
11	25.40	28.44	22.86
12	27.94	30.98	25.40
13	30.48	33.52	27.94
14	33.02	36.06	30.48
15	35.56	38.60	33.02
16	38.10	41.14	35.56
17	40.64	43.68	38.10
18	43.18	46.22	40.64
19	45.72	48.76	43.18
20	48.26	51.30	45.72
21	50.80	53.84	48.26
22	53.34	56.38	50.80
23	55.88	58.92	53.34
24	58.42	61.46	55.88
25	60.96	64.00	58.42
26	63.50	66.54	60.96
27	66.04	69.08	63.50
28	68.58	71.62	66.04
29	71.12	74.16	68.58
30	73.66	76.70	71.12
31	76.20	79.24	73.66
32	78.74	81.78	76.20
33	81.28	84.32	78.74
34	83.82	86.86	81.28
35	86.36	89.40	83.82
36	88.90	91.94	86.36
37	91.44	94.48	88.90
38	93.98	97.02	91.44
39	96.52	99.56	93.98
40	99.06	102.10	96.52

Ordering Information
 XB-PM-C-254-203

- Plastic specifications
 1=Single row
 2=Dual row
 3=Tripe row
 4=Quadruple
- Water code
- No. of Pins per Row 02~40
- Positioning column information
 A=No locating post
 B=Round post
 C=Square post
- Plating code
 01=Tin
 02=Gold Flash
 05=Gold Flash/Tin
 22=Matte Tin
- Pin length
 See the drawing
- Insulator Material
 R=Nylon(Halogen Free)
 C=LCP
- Color
 1=Black
 2=White
 3=Yellow
 E=Beige
- Contact Material
 A/S/K/T=Phosphor Bronze
- Packing code
 A=Box
 B=Tray
 C=Tube
 D=Tape&Reel
 E=Cap+Tube
 F=Cap+Tape&Reel
 G=Acetate Tape+Tube
 H=Acetate Tape+Tape&Reel

东莞市溪榜电子有限公司
 DONG GUAN XI BANG ELECTRONICS CO., LTD.
 Switch Connector

REV.	UNIT.	SCALE.	PAGE.
01	mm	4:1	1/1

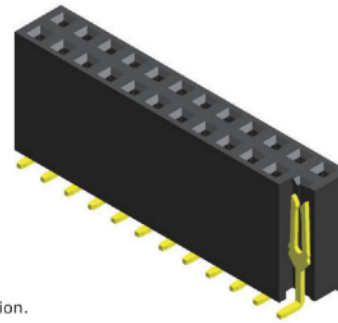
GENERAL TOLERANCE	
X.*±5.0°	X.±0.30
.X*±3.0°	.X±0.25
.XX*±2.0°	.XX±0.15
.XXX*±1.0°	.XXX±0.10

DWG. NO.
 XB-PM-C-254-203
 PART NO.
 XB-PM-C-254-203

TITLE.
 2.54 FEMALE HEADER
 DUAL ROWS SMT TYPE
 CONNECTOR

Specifications

Current Rating : 3.0 Ampere
 Insulation Resistance : 1000 MΩ Min
 Dielectric Withstanding : 600V AC
 Contact Resistance : 20 mΩ Max
 Operating Temperature : -40°C to +105°C

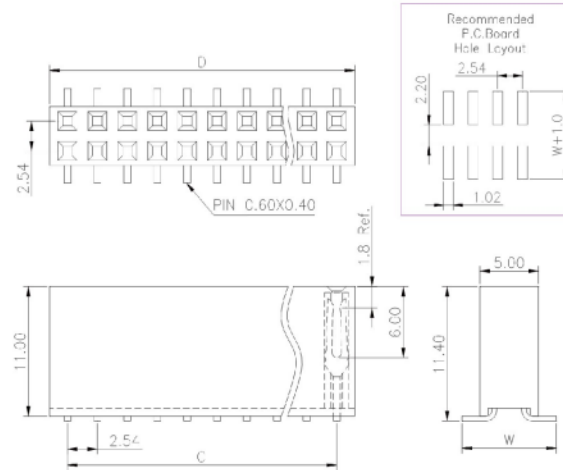
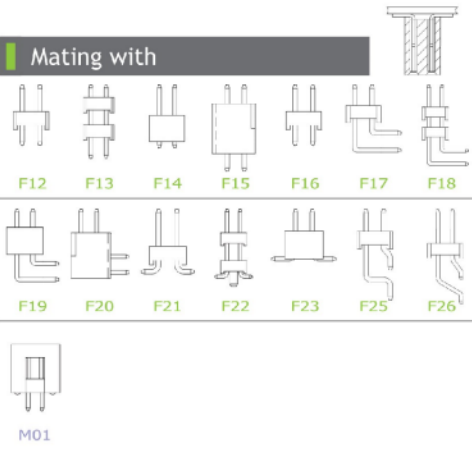


Materials

Contact Material : Phosphor Bronze
 Insulation Material : High Temperature Thermoplastic, 94V-0 Nylon

All materials must meet Greenconn's requirements for environmental protection.

Mating with



P.S. : Suggested mating pin length : 4.0 ~ 5.5 mm

* For Coded Dimension Not Inside The Table, Please Refer To "Ordering Information"

No. of Pins/Row	Dimension Information		No. of Pins/Row	Dimension Information		No. of Pins/Row	Dimension Information		No. of Pins/Row	Dimension Information	
	C	D		C	D		C	D		C	D
02	2.54	5.58	11	25.40	28.44	21	50.80	53.84	31	76.20	79.24
03	5.08	8.12	12	27.94	30.98	22	53.34	56.38	32	78.74	81.78
04	7.62	10.66	13	30.48	33.52	23	55.88	58.92	33	81.28	84.32
05	10.16	13.20	14	33.02	36.06	24	58.42	61.46	34	83.82	86.86
06	12.70	15.74	15	35.56	38.60	25	60.96	64.00	35	86.36	89.40
07	15.24	18.28	16	38.10	41.14	26	63.50	66.54	36	88.90	91.94
08	17.78	20.82	17	40.64	43.68	27	66.04	69.08	37	91.44	94.48
09	20.32	23.36	18	43.18	46.22	28	68.58	71.62	38	93.98	97.02
10	22.86	25.90	19	45.72	48.76	29	71.12	74.16	39	96.52	99.56
			20	48.26	51.30	30	73.66	76.70	40	99.06	102.10

XB 东莞市溪榜电子有限公司
 DONG GUAN XI BANG ELECTRONIC CS CO., LTD.

REV. 01 UNIT. mm SCALE. 5:1 PAGE. 1/1

GENERAL TOLERANCE	
X. ± 5.0°	X. ± 0.30
.X ± 3.0°	.X ± 0.25
.XX ± 2.0°	.XX ± 0.15
.XXX ± 1.0°	.XXX ± 0.10

DESIGN:	DATE:
CHECKED:	DATE:
AUDITED:	DATE:
APPROVED:	DATE:

DWG. NO.
XB-PM-C-254-203

PART NO.
XB-PM-C-254-203

TITLE:
2.00 FEMALE HEADER
SINGLE ROW DIP TYPE
BASE 4.30H