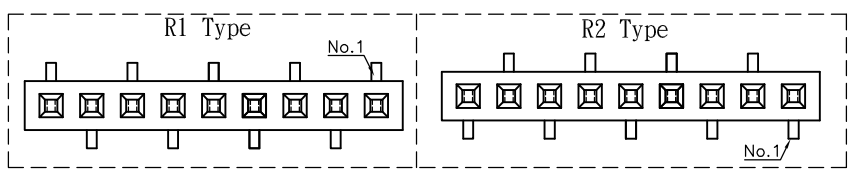
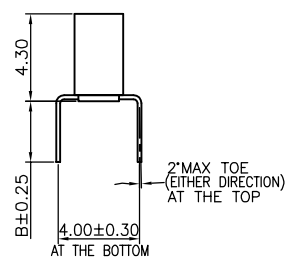
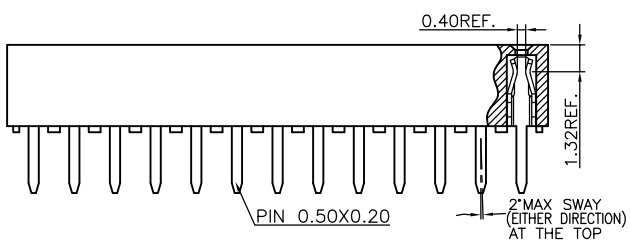
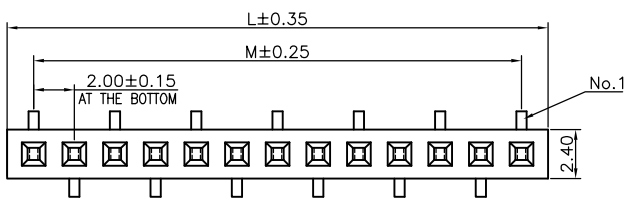


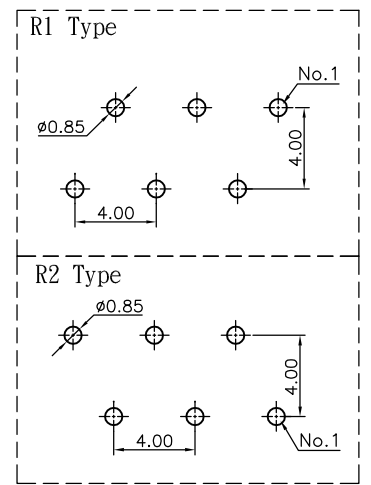
1 2 3 4 5 6 7 8 9



Specifications
 Current Rating:2.0Amp
 Insulation Resistance:1000MΩMin.
 Dielectric Withstanding Voltage:500VAC
 Contact Resistance:20mΩMax.
 Operating Temperature:-40°C to +105°C
 Materials
 Contact Material:Phosphor Bronze
 Insulator Material:
 PBT(Not resistant to high temperature),
 Nylon(High temperature resistance),
 LCP(High temperature resistance),
 UL 94V-0
 All materials must meet Greenconn hazardous substances control standards.



Recommended P.C.Board Layout
 (Tolerance:±0.05)



Ordering Information XB-PM-F-20-101

Plastic specifications
 1=Single row
 2=Dual row
 3=Tripe row
 4=Quadruple

Water code

Positioning column information
 A=No locating post
 B=Round post
 C=Square post

Pin length
 See the drawing

Color
 1=Black
 2=White
 3=Yellow
 E=Beige

Packing code
 A=Box
 B=Tray
 C=Tube
 D=Tube&Reel

No. of Pins per Row
 02~40

Plating code
 01=Tin
 02=Gold Flash
 05=Gold Flash/Tin
 22=Matte Tin

Insulator Material
 A=PBT
 R=Nylon(Halogen Free)
 C=LCP

Contact Material
 A/S/K/T=Phosphor Bronze

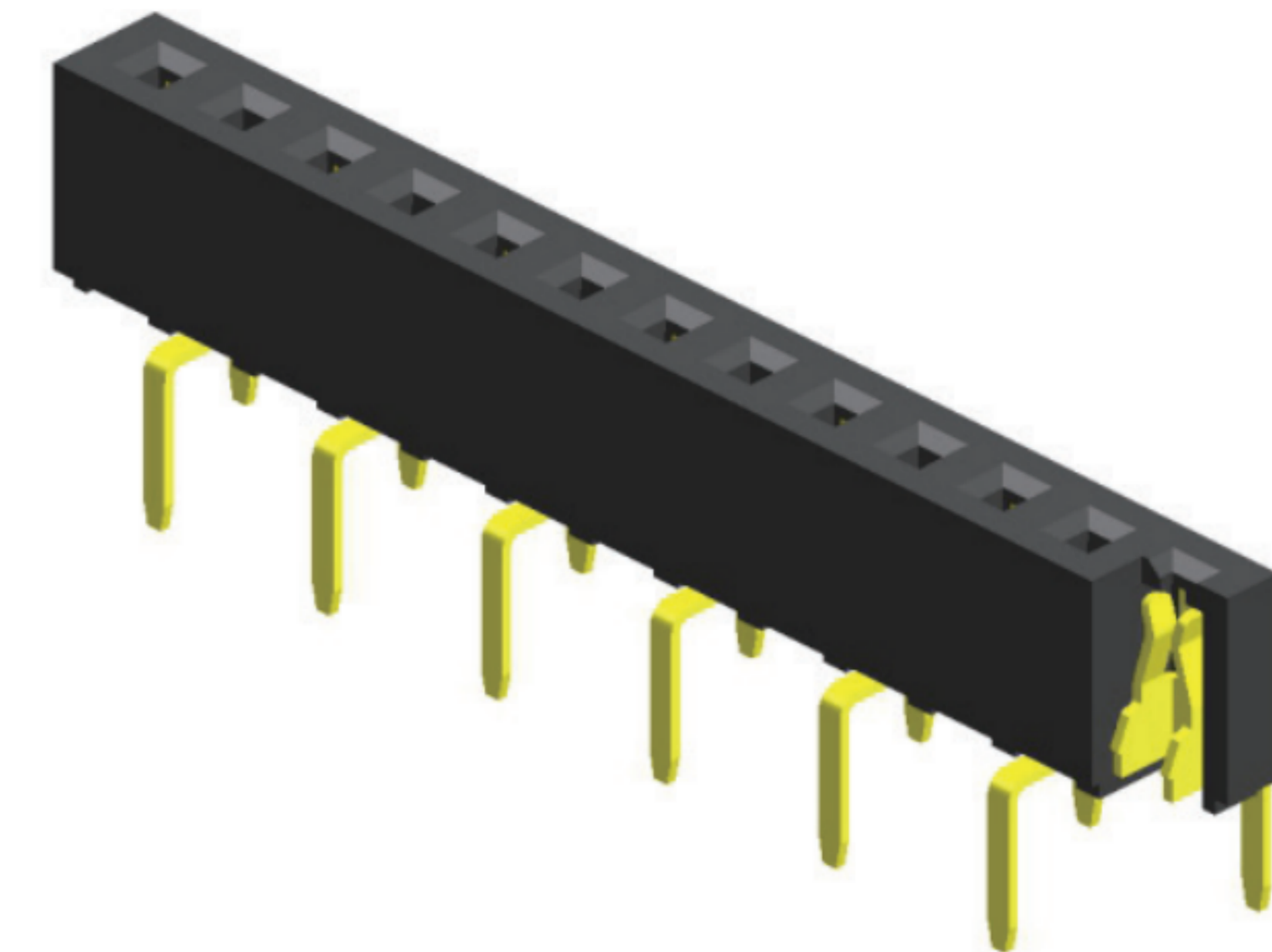
No. of PIN/ROW	Dimension Information	
	M	L
02	2.00	4.60
03	4.00	6.60
04	6.00	8.60
05	8.00	10.60
06	10.00	12.60
07	12.00	14.60
08	14.00	16.60
09	16.00	18.60
10	18.00	20.60
11	20.00	22.60
12	22.00	24.60
13	24.00	26.60
14	26.00	28.60
15	28.00	30.60
16	30.00	32.60
17	32.00	34.60
18	34.00	36.60
19	36.00	38.60
20	38.00	40.60
21	40.00	42.60
22	42.00	44.60
23	44.00	46.60
24	46.00	48.60
25	48.00	50.60
26	50.00	52.60
27	52.00	54.60
28	54.00	56.60
29	56.00	58.60
30	58.00	60.60
31	60.00	62.60
32	62.00	64.60
33	64.00	66.60
34	66.00	68.60
35	68.00	70.60
36	70.00	72.60
37	72.00	74.60
38	74.00	76.60
39	76.00	78.60
40	78.00	80.60

东莞市溪榜电子有限公司 DONG GUAN XI BANG ELECTRONICS CO., LTD.	GENERAL TOLERANCE		DESIGN:	DATE:	DWG. NO. XB-PM-F-20-101	TITLE. 2.00 FEMALE HEADER SINGLE ROW DIP TYPE BASE 4.30H
	X.*±5.0°	X.±0.30	CHECKED:	DATE:		
	.X*±3.0°	.X±0.25	AUDITED:	DATE:	PART NO. XB-PM-F-20-101	
	.XX*±2.0°	.XX±0.15	APPROVED:	DATE:		
REV. 01	UNIT. mm	SCALE. 5:1	PAGE. 1/1			

1 2 3 4 5 6 7 8 9

Specifications

Current Rating : 2.0 Ampere
 Insulation Resistance : 1000 MΩ Min
 Dielectric Withstanding : 500V AC
 Contact Resistance : 20 mΩ Max
 Operating Temperature : -40°C to +105°C

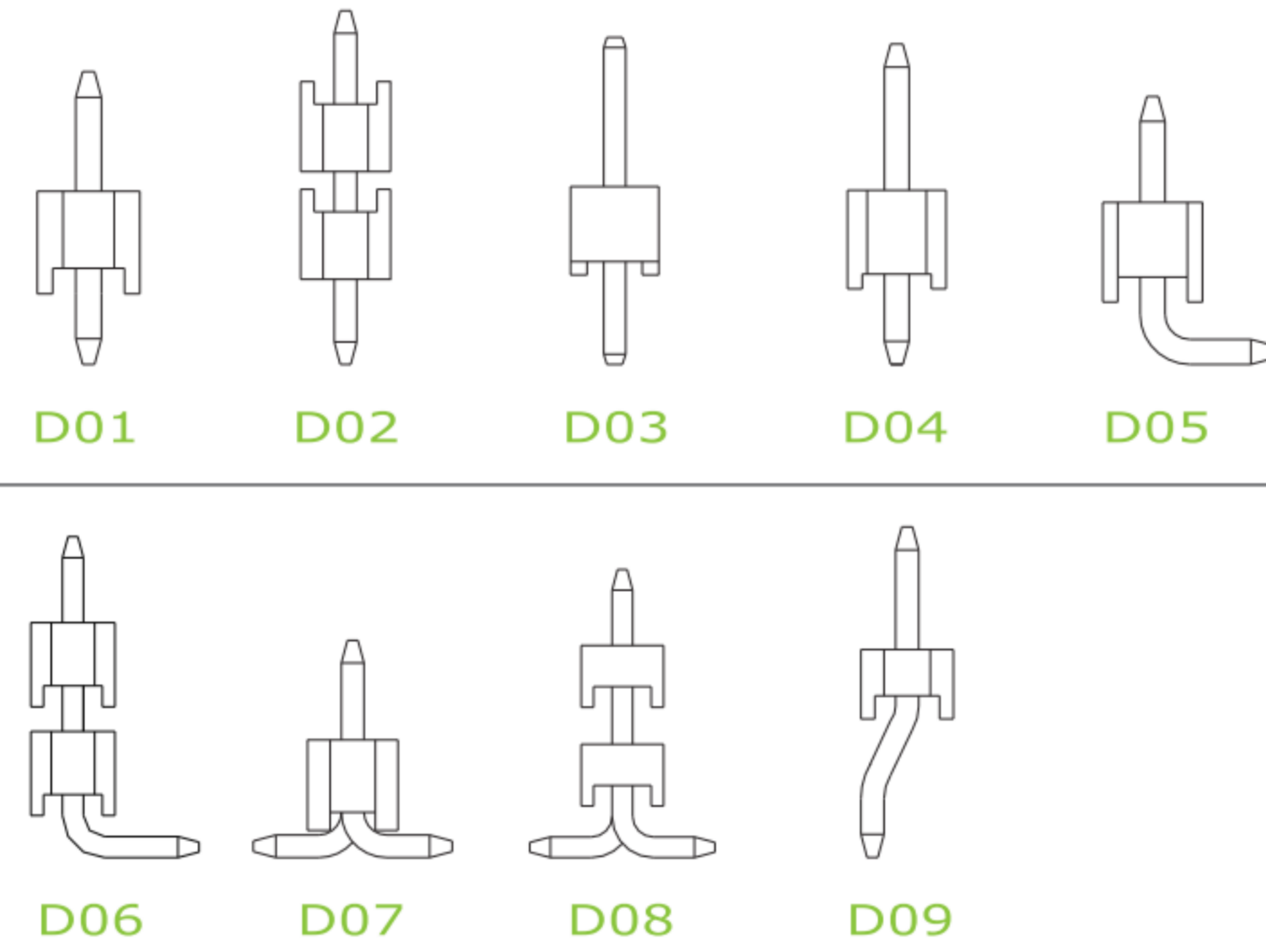


Materials

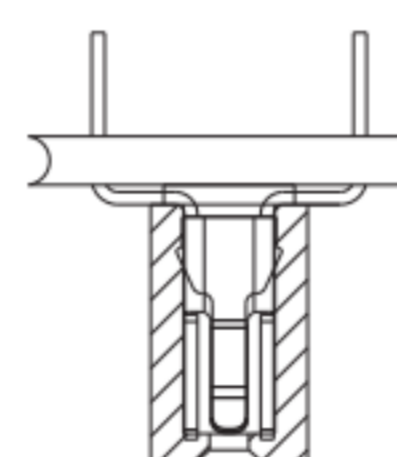
Contact Material : Phosphor Bronze
 Insulation Material : High Temperature Thermoplastic, 94V-0 Nylon

All materials must meet Greenconn's requirements for environmental protection.

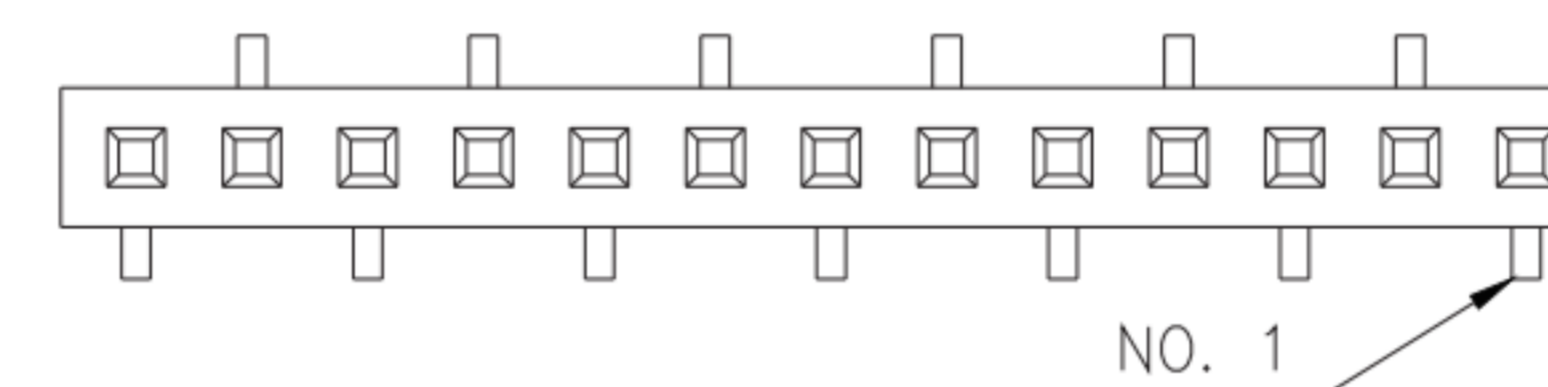
Mating with



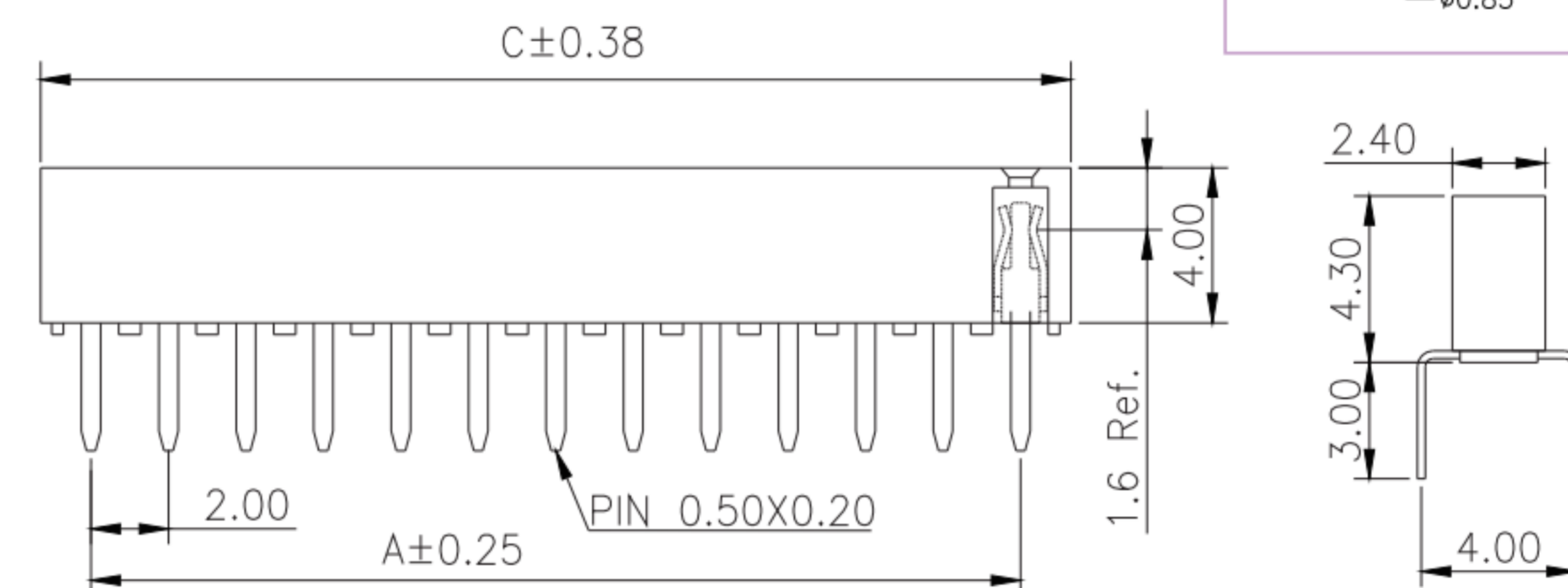
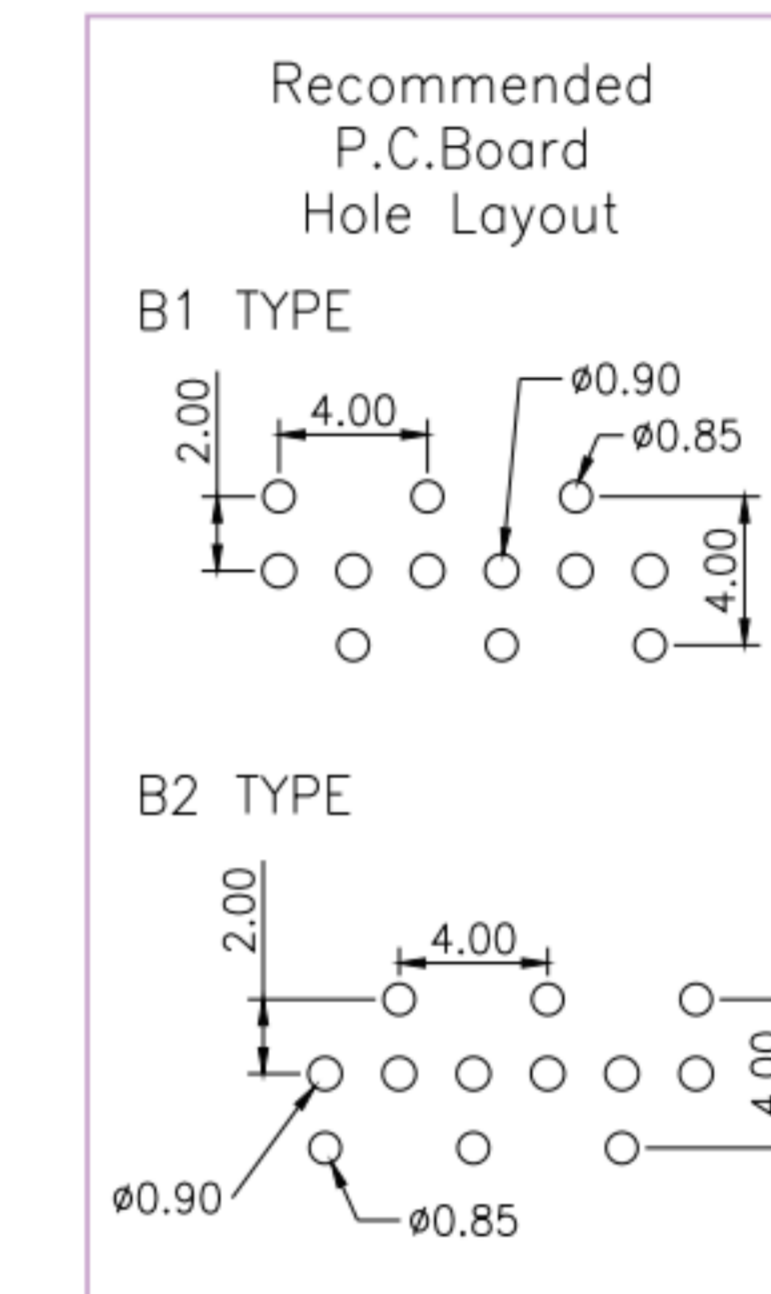
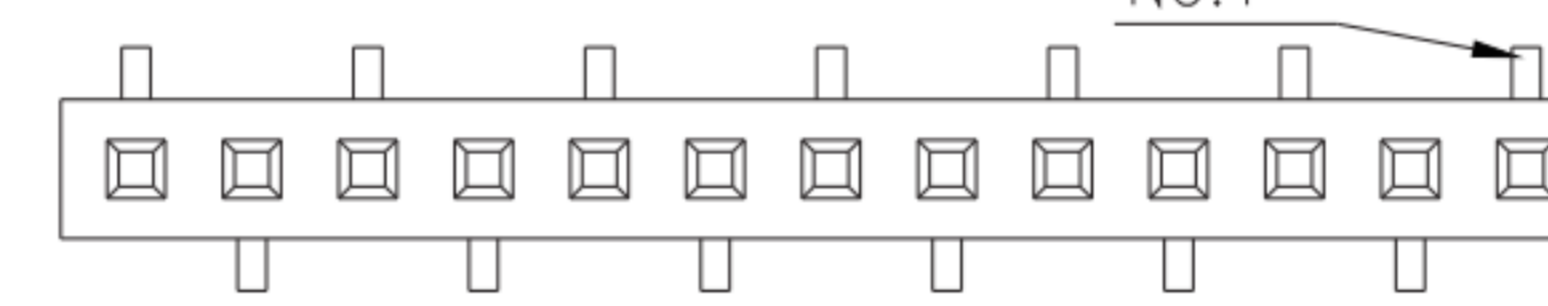
P.S. : Suggested mating pin length : 2.5 ~ 4.0 mm



B1 TYPE



B2 TYPE



* For Coded Dimension Not Inside The Table, Please Refer To "Ordering Information"

No. of Pins/Row	Dimension Information		No. of Pins/Row	Dimension Information		No. of Pins/Row	Dimension Information		No. of Pins/Row	Dimension Information	
	A	C		A	C		A	C		A	C
02	2.00	4.60	11	20.00	22.60	21	40.00	42.60	31	60.00	62.60
03	4.00	6.60	12	22.00	24.60	22	42.00	44.60	32	62.00	64.60
04	6.00	8.60	13	24.00	26.60	23	44.00	46.60	33	64.00	66.60
05	8.00	10.60	14	26.00	28.60	24	46.00	48.60	34	66.00	68.60
06	10.00	12.60	15	28.00	30.60	25	48.00	50.60	35	68.00	70.60
07	12.00	14.60	16	30.00	32.60	26	50.00	52.60	36	70.00	72.60
08	14.00	16.60	17	32.00	34.60	27	52.00	54.60	37	72.00	74.60
09	16.00	18.60	18	34.00	36.60	28	54.00	56.60	38	74.00	76.60
10	18.00	20.60	19	36.00	38.60	29	56.00	58.60	39	76.00	78.60
			20	38.00	40.60	30	58.00	60.60	40	78.00	80.60

东莞市溪榜电子有限公司
 DONG GUAN XI BANG ELECTRONICS CO., LTD.

REV. 01 UNIT. mm SCALE. 5:1 PAGE. 1/1

GENERAL TOLERANCE	
X' ± 5.0'	X ± 0.30
.X' ± 3.0'	.X ± 0.25
.XX' ± 2.0'	.XX ± 0.15
.XXX' ± 1.0'	.XXX ± 0.10

DESIGN:	DATE:
CHECKED:	DATE:
AUDITED:	DATE:
APPROVED:	DATE:

DWG. NO. XB-PM-F-20-101
 PART NO. XB-PM-F-20-101

TITLE. 2.00 FEMALE HEADER SINGLE ROW DIP TYPE BASE 4.30H