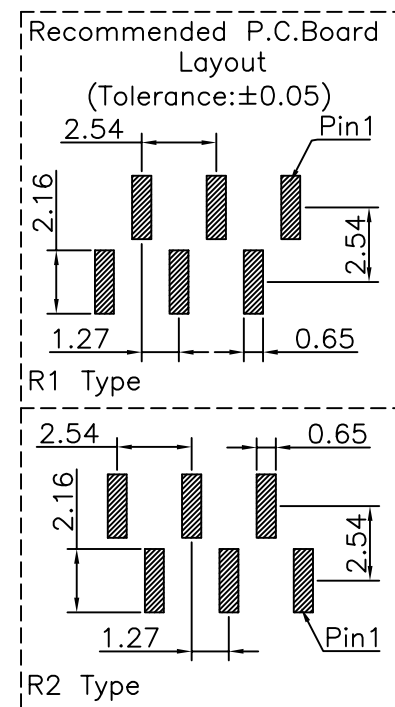
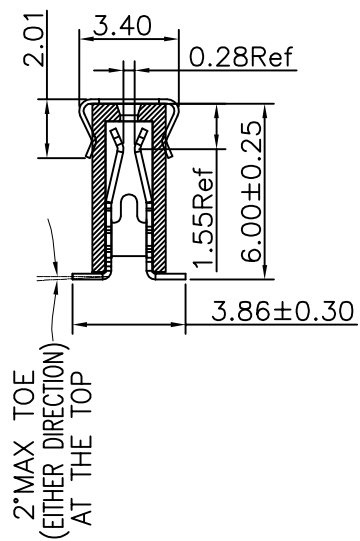
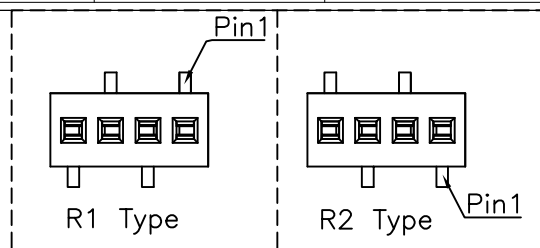


Specifications
 Current Rating:1Amp
 Insulation Resistance:1000MΩMin.
 Dielectric Withstanding Voltage:300VAC
 Contact Resistance:20mΩMax.
 Operating Temperature:-40°C to +105°C
 Materials
 Contact Material:Phosphor Bronze
 Insulator Material:High Temperature Thermoplastic, UL 94V-0 LCP or the equivalent material
 All materials must meet Greenconn hazardous substances control standards.



No. of PIN/ROW	Dimension Information	
	M	L
02	1.27	2.84
03	2.54	4.11
04	3.81	5.38
05	5.08	6.65
06	6.35	7.92
07	7.62	9.19
08	8.89	10.46
09	10.16	11.73
10	11.43	13.00
11	12.70	14.27
12	13.97	15.54
13	15.24	16.81
14	16.51	18.08
15	17.78	19.35
16	19.05	20.62
17	20.32	21.89
18	21.59	23.16
19	22.86	24.43
20	24.13	25.70
21	25.40	26.97
22	26.67	28.24
23	27.94	29.51
24	29.21	30.78
25	30.48	32.05
26	31.75	33.32
27	33.02	34.59
28	34.29	35.86
29	35.56	37.13
30	36.83	38.40
31	38.10	39.67
32	39.37	40.94
33	40.64	42.21
34	41.91	43.48
35	43.18	44.75
36	44.45	46.02
37	45.72	47.29
38	46.99	48.56
39	48.26	49.83
40	49.53	51.10
41	50.80	52.37
42	52.07	53.64
43	53.34	54.91
44	54.61	56.18
45	55.88	57.45
46	57.15	58.72
47	58.42	59.99
48	59.69	61.26
49	60.96	62.53
50	62.23	63.80

Ordering Information

XB-PM-C-127-111

Plastic specifications
 1=Single row
 2=Dual row
 3=Tripe row
 4=Quadruple

Water code
 No. of Pins per Row
 02~50

Positioning column information
 A=No locating post
 B=Round post
 C=Square post

Pin length
 See the drawing

Plating code
 01=Tin
 02=Gold Flash
 05=Gold Flash/Tin
 22=Matte Tin

Insulator Material
 C=LCP

Color
 1=Black
 2=White
 3=Yellow
 E=Beige

Contact Material
 A=Phosphor Bronze

Packing code
 C=Tube
 D=Tape&Reel
 E=Cap+Tube
 F=Cap+Tape&Reel
 G=Acetate Tape+Tube
 H=Acetate Tape+Tape&Reel

东莞市溪榜电子有限公司
 DONG GUAN XI BANG ELECTRONICS CO., LTD.

REV. 01 UNIT. mm SCALE. 4:1 PAGE. 1/1

GENERAL TOLERANCE	
X.*±5.0'	X.±0.30
.X.*±3.0'	.X.±0.25
.XX.*±2.0'	.XX±0.15
.XXX.*±1.0'	.XXX±0.10

DESIGNED: _____ DATE: _____
 CHECKED: _____ DATE: _____
 CO SIGNED: _____ DATE: _____
 APPROVED: _____ DATE: _____

DWG. NO. XB-PM-C-127-111
 PART NO. XB-PM-C-127-111

TITLE. 1.27 FEMALE HEADER SINGLE ROW SMT TYPE CONNECTOR