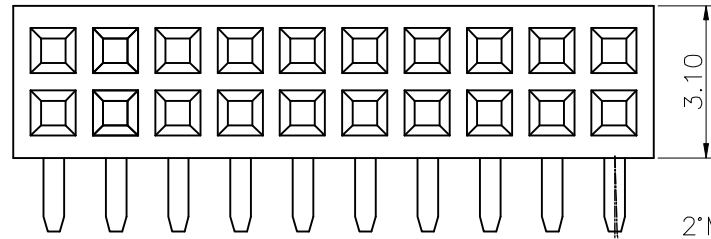


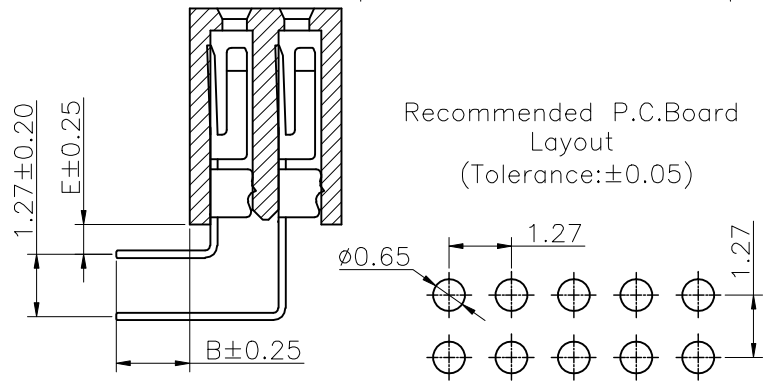
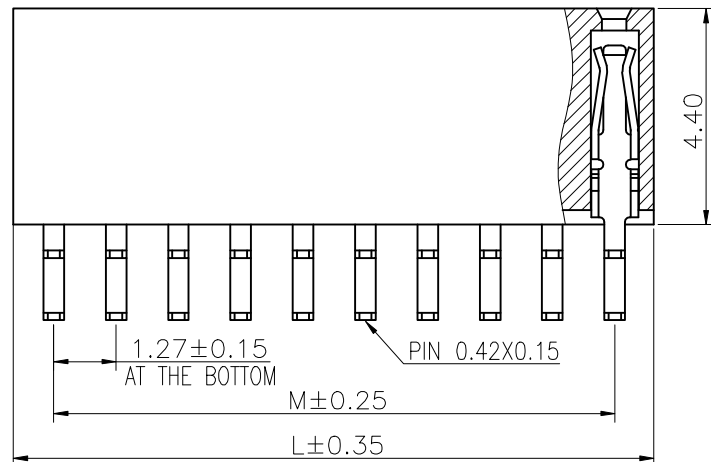
1 2 3 4 5 6 7 8 9

F



Specifications
 Current Rating:1Amp
 Insulation Resistance:1000MΩMin.
 Dielectric Withstanding Voltage:300VAC
 Contact Resistance:20mΩMax.
 Operating Temperature:-40°C to +105°C
 Materials
 Contact Material:Phosphor Bronze
 Insulator Material:High Temperature Thermoplastic, UL 94V-0 LCP or the equivalent material
 All materials must meet Greenconn requirement for environment protection.

E



D

C

Ordering Information
XB-PM-B-127-202

B

- Plastic specifications
 1=Single row
 2=Dual row
 3=Tripe row
 4=Quadruple
- Water code
- No. of Pins per Row
 02~50
- Positioning column information
 A=No locating post
 B=Round post
 C=Square post
- Pin length
 See the drawing
- Plating code
 01=Tin
 02=Gold Flash
 05=Gold Flash/Tin
 22=Matte Tin
- Insulator Material
 C=LCP
- Color
 1=Black
 2=White
 3=Yellow
 E=Beige
- Contact Material
 A/S/K/T=Phosphor Bronze
- Packing code
 C=Tube
 D=Tape&Reel
 G=Acetate Tape+Tube
 H=Acetate Tape+Tape&Reel

No. of PIN/ROW	Dimension Information	
	M	L
02	1.27	2.89
03	2.54	4.16
04	3.81	5.43
05	5.08	6.70
06	6.35	7.97
07	7.62	9.24
08	8.89	10.51
09	10.16	11.78
10	11.43	13.05
11	12.70	14.32
12	13.97	15.59
13	15.24	16.86
14	16.51	18.13
15	17.78	19.40
16	19.05	20.67
17	20.32	21.94
18	21.59	23.21
19	22.86	24.48
20	24.13	25.75
21	25.40	27.02
22	26.67	28.29
23	27.94	29.56
24	29.21	30.83
25	30.48	32.10
26	31.75	33.37
27	33.02	34.64
28	34.29	35.91
29	35.56	37.18
30	36.83	38.45
31	38.10	39.72
32	39.37	40.99
33	40.64	42.26
34	41.91	43.53
35	43.18	44.80
36	44.45	46.07
37	45.72	47.34
38	46.99	48.61
39	48.26	49.88
40	49.53	51.15
41	50.80	52.42
42	52.07	53.69
43	53.34	54.96
44	54.61	56.23
45	55.88	57.50
46	57.15	58.77
47	58.42	60.04
48	59.69	61.31
49	60.96	62.58
50	62.23	63.85

A

东莞市溪榜电子有限公司
 DONG GUAN XI BANG ELECTRONICS CO., LTD.
 Switch Connector

REV.	UNIT.	SCALE.	PAGE.
01	mm	7:1	1/1

GENERAL TOLERANCE	
X.±5.0'	X.±0.30
.X'±3.0'	.X±0.25
.XX'±2.0'	.XX±0.15
.XXX'±1.0'	.XXX±0.10

DESIGN:	DATE:
CHECKED:	DATE:
AUDITED:	DATE:
APPROVED:	DATE:

DWG. NO.
XB-PM-B-127-202
 PART NO.
XB-PM-B-127-202

TITLE.
**1.27 FEMALE HEADER
 DUAL ROWS R/A TYPE
 CONNECTOR**

1 2 3 4 5 6 7 8 9

F

E

D

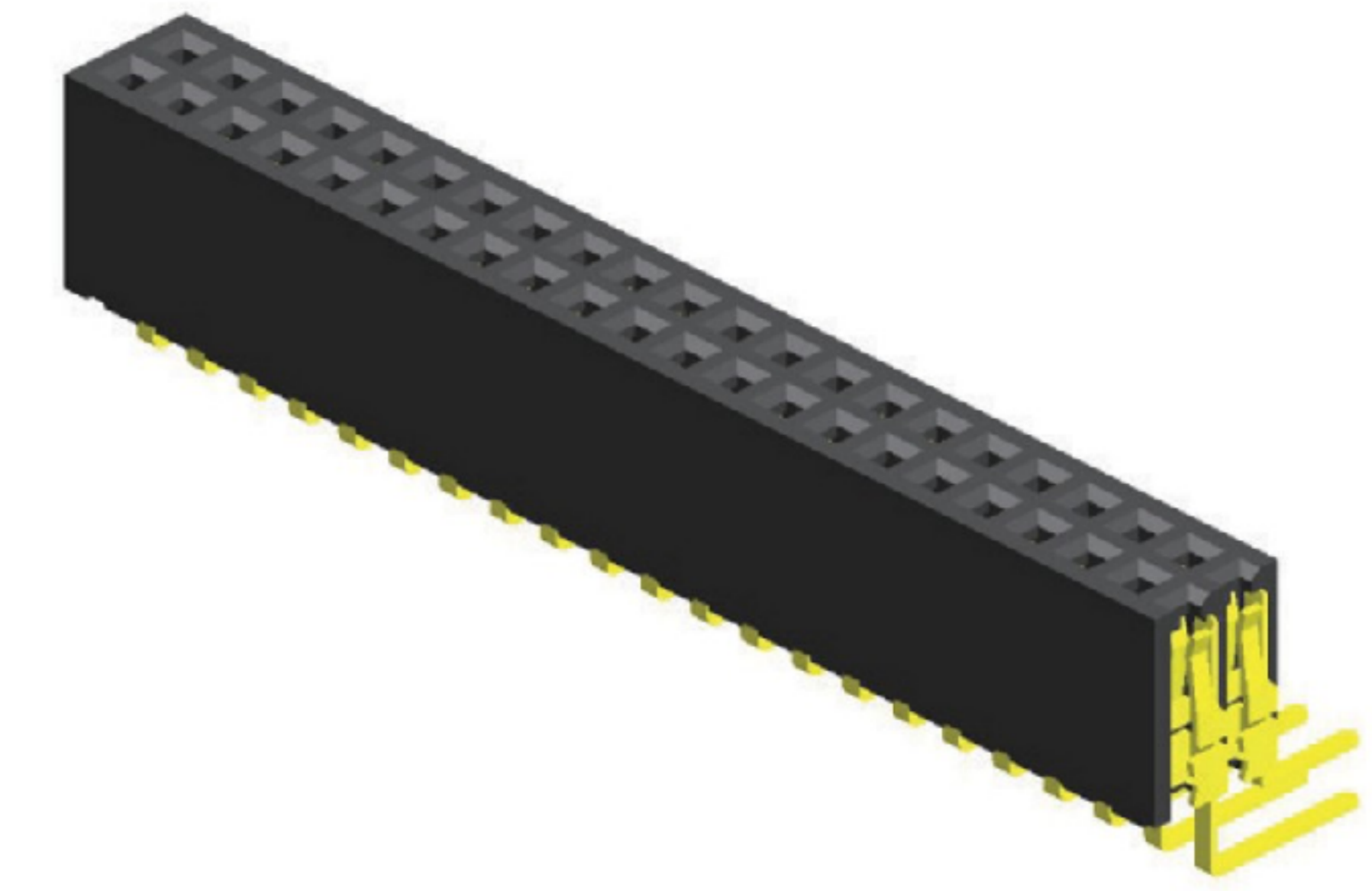
C

B

A

Specifications

Current Rating : 1.0 Ampere
 Insulation Resistance : 1000 MΩ Min
 Dielectric Withstanding : 300V AC
 Contact Resistance : 20 mΩ Max
 Operating Temperature : -40°C to +105°C

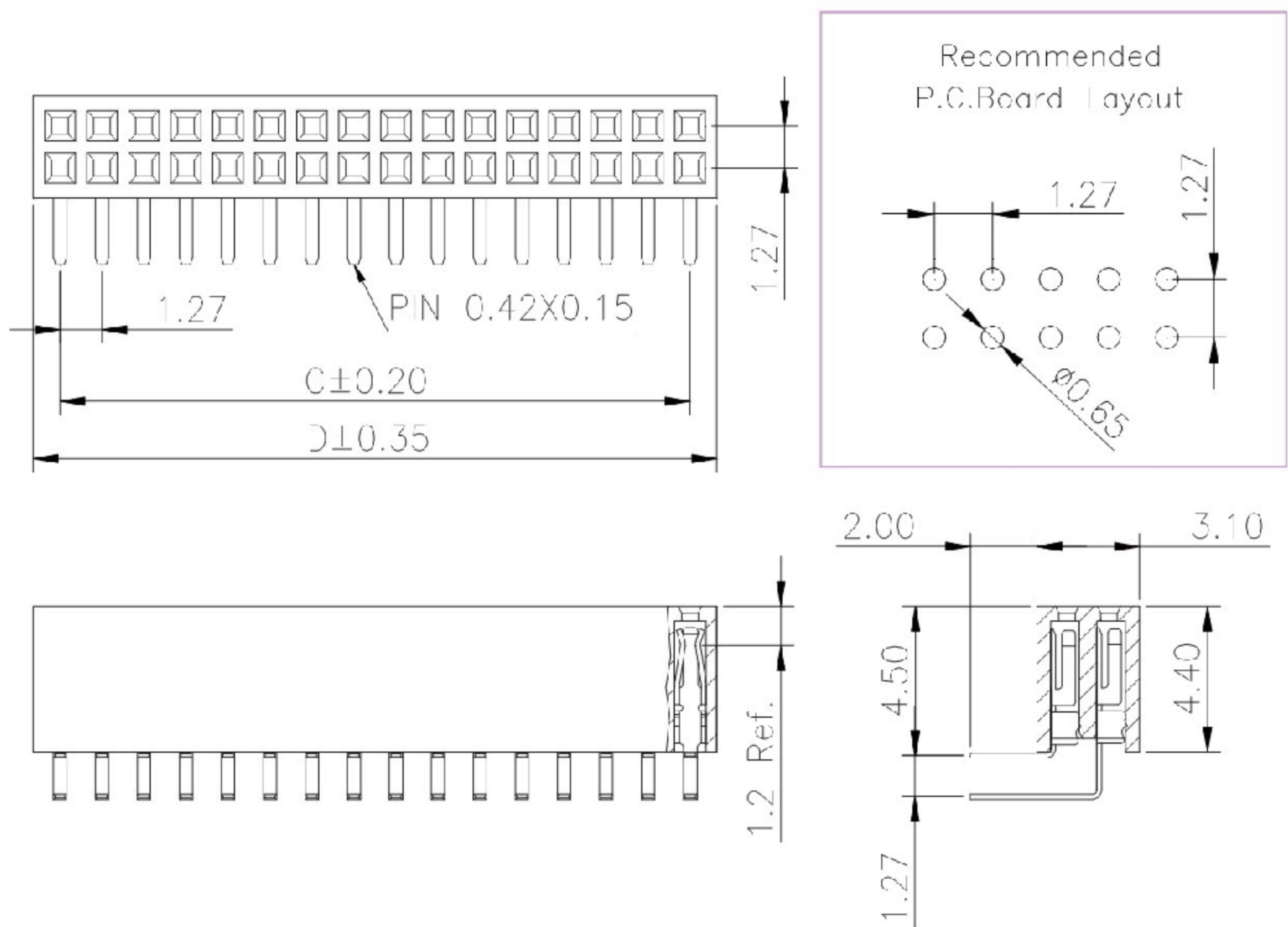
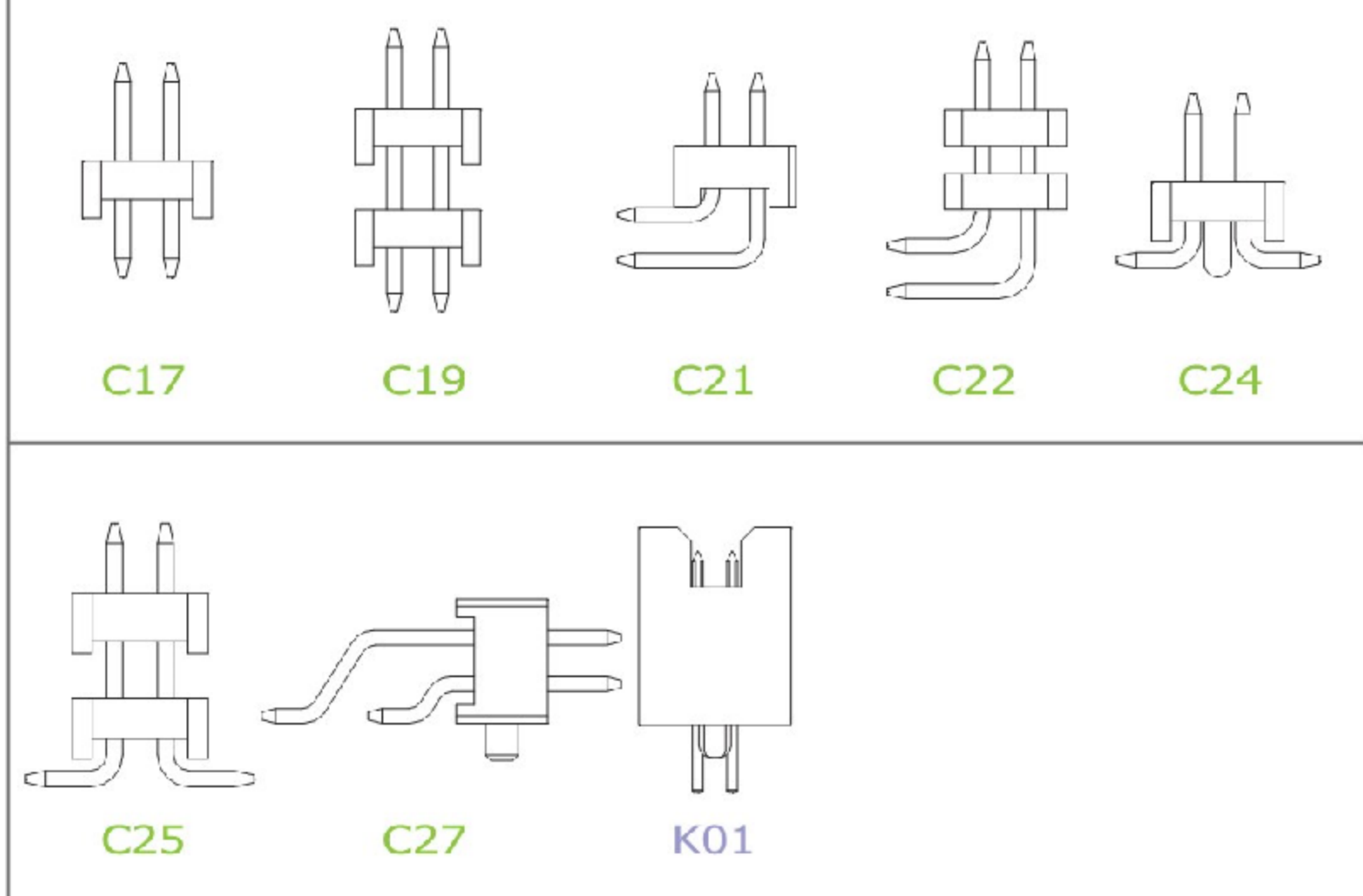


Materials

Contact Material : Phosphor Bronze
 Insulation Material : High Temperature Thermoplastic, 94V-0 LCP

All materials must meet Greenconn's requirements for environmental protection.

Mating with



P.S. : Suggested mating pin length : 2.0 ~ 4.2 mm

* For Coded Dimension Not Inside The Table, Please Refer To "Ordering Information"

No. of Pins/Row	Dimension Information		No. of Pins/Row	Dimension Information		No. of Pins/Row	Dimension Information		No. of Pins/Row	Dimension Information	
	C	D		C	D		C	D		C	D
03	2.54	4.16	14	16.51	18.13	27	33.02	34.64	40	49.53	51.15
04	3.81	5.43	15	17.78	19.40	28	34.29	35.91	41	50.80	52.42
05	5.08	6.70	16	19.05	20.67	29	35.56	37.18	42	52.07	53.69
06	6.35	7.97	17	20.32	21.94	30	36.83	38.45	43	53.34	54.96
07	7.62	9.24	18	21.59	23.21	31	38.10	39.72	44	54.61	56.23
08	8.89	10.51	19	22.86	24.48	32	39.37	40.99	45	55.88	57.50
09	10.16	11.78	20	24.13	25.75	33	40.64	42.26	46	57.15	58.77
10	11.43	13.05	21	25.40	27.02	34	41.91	43.53	47	57.42	60.04
11	12.70	14.32	22	26.67	28.29	35	43.18	44.80	48	59.69	61.31
12	13.97	15.59	23	27.94	29.56	36	44.45	46.07	49	60.96	62.58
13	15.24	16.86	24	29.21	30.83	37	45.72	47.34	50	62.23	63.85
			25	30.48	32.10	38	46.99	48.61			
			26	31.75	33.37	39	48.26	49.88			

东莞市溪榜电子有限公司
 DONG GUAN XI BANG ELECTRONICS CO., LTD.

REV. 01 UNIT. mm SCALE. 5:1 PAGE. 1/1

GENERAL TOLERANCE	
X'±5.0'	X±0.30
.X'±3.0'	.X±0.25
.XX'±2.0'	.XX±0.15
.XXX'±1.0'	.XXX±0.10

DESIGN: _____ DATE: _____
 CHECKED: _____ DATE: _____
 AUDITED: _____ DATE: _____
 APPROVED: _____ DATE: _____

DWG. NO. XB-PM-B-127-202
 PART NO. XB-PM-B-127-202

TITLE. 2.00 FEMALE HEADER SINGLE ROW DIP TYPE BASE 4.30H