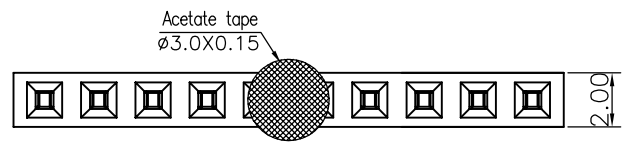
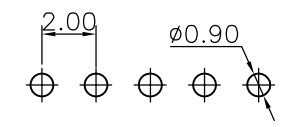


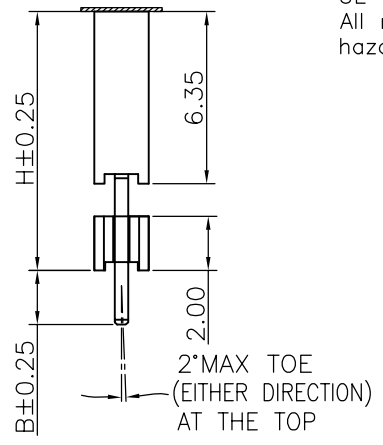
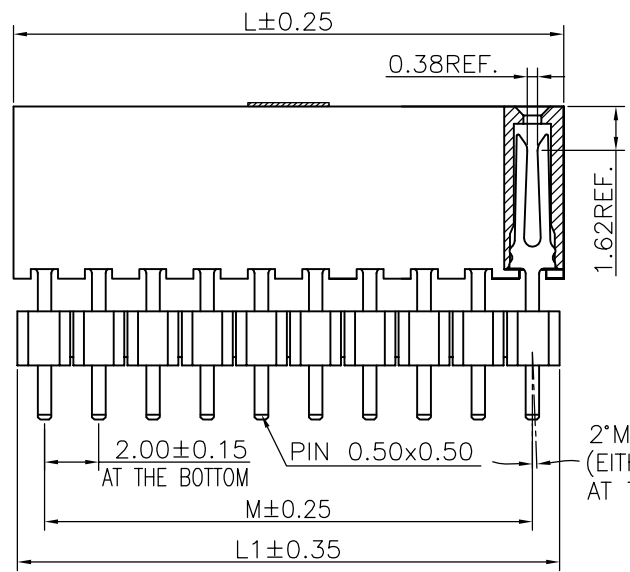
1 2 3 4 5 6 7 8 9



Recommended P.C.Board  
Layout  
(Tolerance:±0.05)



Specifications  
Current Rating:2.0Amp  
Insulation Resistance:1000MΩMin.  
Dielectric Withstanding Voltage:500VAC  
Contact Resistance:20mΩMax.  
Operating Temperature:-40°C to +105°C  
Materials  
Contact Material:Phosphor Bronze  
Insulator Material:  
PBT(Not resistant to high temperature),  
Nylon(High temperature resistance),  
LCP(High temperature resistance),  
UL 94V-0  
All materials must meet Greenconn  
hazardous substances control standards.



No. of PIN/ROW	Dimension Information		
	M	L	L1
02	2.00	4.30	4.00
03	4.00	6.30	6.00
04	6.00	8.30	8.00
05	8.00	10.30	10.00
06	10.00	12.30	12.00
07	12.00	14.30	14.00
08	14.00	16.30	16.00
09	16.00	18.30	18.00
10	18.00	20.30	20.00
11	20.00	22.30	22.00
12	22.00	24.30	24.00
13	24.00	26.30	26.00
14	26.00	28.30	28.00
15	28.00	30.30	30.00
16	30.00	32.30	32.00
17	32.00	34.30	34.00
18	34.00	36.30	36.00
19	36.00	38.30	38.00
20	38.00	40.30	40.00
21	40.00	42.30	42.00
22	42.00	44.30	44.00
23	44.00	46.30	46.00
24	46.00	48.30	48.00
25	48.00	50.30	50.00
26	50.00	52.30	52.00
27	52.00	54.30	54.00
28	54.00	56.30	56.00
29	56.00	58.30	58.00
30	58.00	60.30	60.00
31	60.00	62.30	62.00
32	62.00	64.30	64.00
33	64.00	66.30	66.00
34	66.00	68.30	68.00
35	68.00	70.30	70.00
36	70.00	72.30	72.00
37	72.00	74.30	74.00
38	74.00	76.30	76.00
39	76.00	78.30	78.00
40	78.00	80.30	80.00

Ordering Information  
XB-PM-A-20-103

- Plastic specifications: 1=Single row, 2=Dual row, 3=Tripe row, 4=Quadruple
- Water code
- Positioning column information: A=No locating post, B=Round post, C=Square post
- Pin length: See the drawing
- Color: 1=Black, 2=White, 3=Yellow, E=Beige
- Packing code: A=Box, B=Tray, C=Tube, D=Tape&Reel
- No. of Pins per Row: 02~40
- Plating code: 01=Tin, 02=Gold Flash, 05=Gold Flash/Tin, 22=Matte Tin
- Insulator Material: A=PBT, R=Nylon(Halogen Free), C=LCP
- Contact Material: A/S/K/T=Phosphor Bronze
- H=Acetate Tape+Tube, H=Acetate Tape+Tape&Reel

**XB** 东莞市溪榜电子有限公司  
Switch Connector DONG GUAN XI BANG ELECTRONICS CO., LTD.

GENERAL TOLERANCE	
X.*±5.0°	X.±0.30
.X*±3.0°	.X±0.25
.XX*±2.0°	.XX±0.15
.XXX*±1.0°	.XXX±0.10

DESIGNED:	DATE:
CHECKED:	DATE:
CO SIGNED:	DATE:
APPROVED:	DATE:

DWG. NO.	XB-PM-A-20-103
PART NO.	
XB-PM-A-20-103	

TITLE:  
2.00 FEMALE HEADER  
SINGLE ROW DIP TYPE  
CONNECTOR

1 2 3 4 5 6 7 8 9

A

A



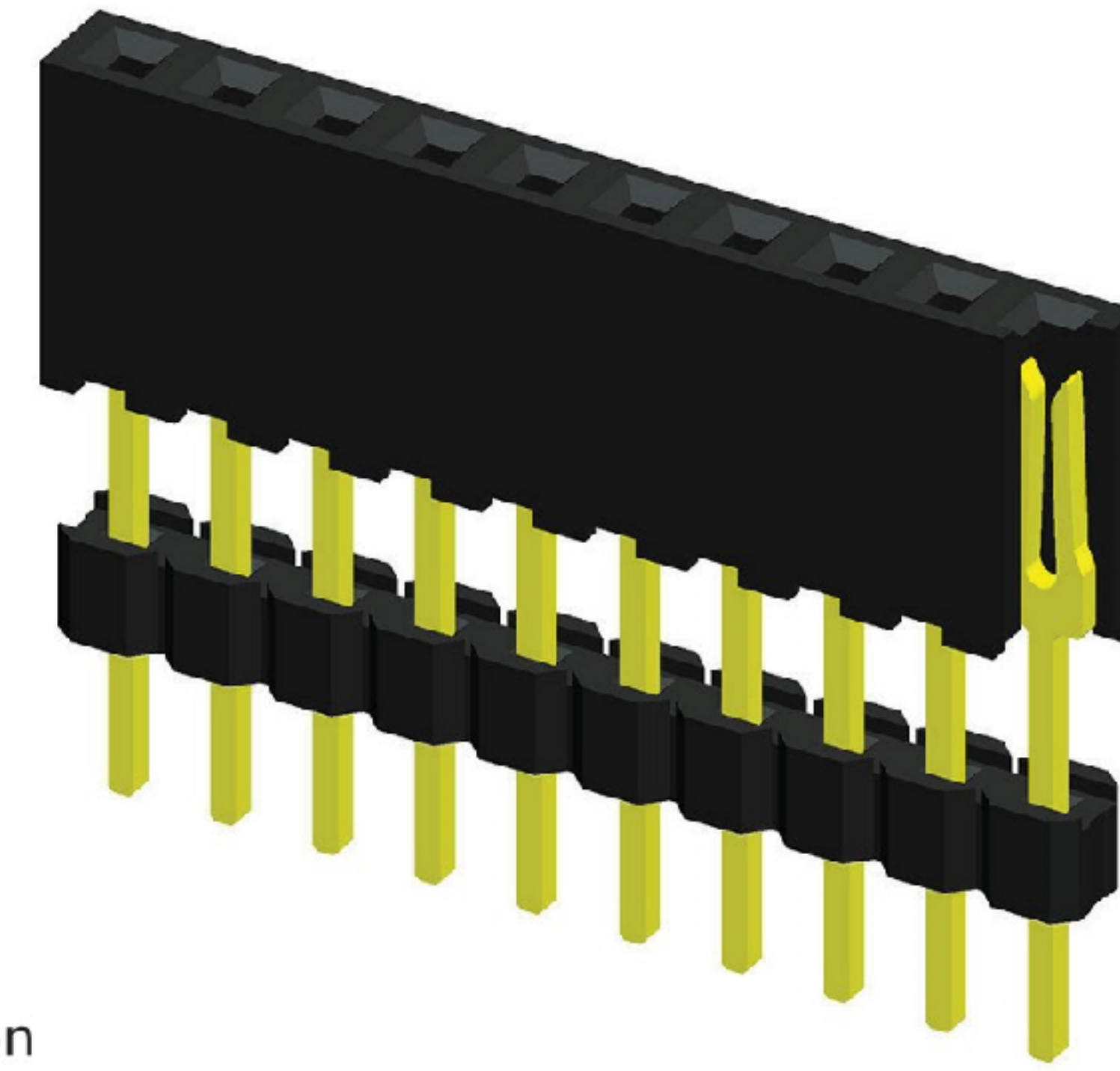
### Specifications

Current Rating : 2.0 Ampere  
 Insulation Resistance : 1000 MΩ Min  
 Dielectric Withstanding : 500V AC  
 Contact Resistance : 20 mΩ Max  
 Operating Temperature : -40°C to +105°C

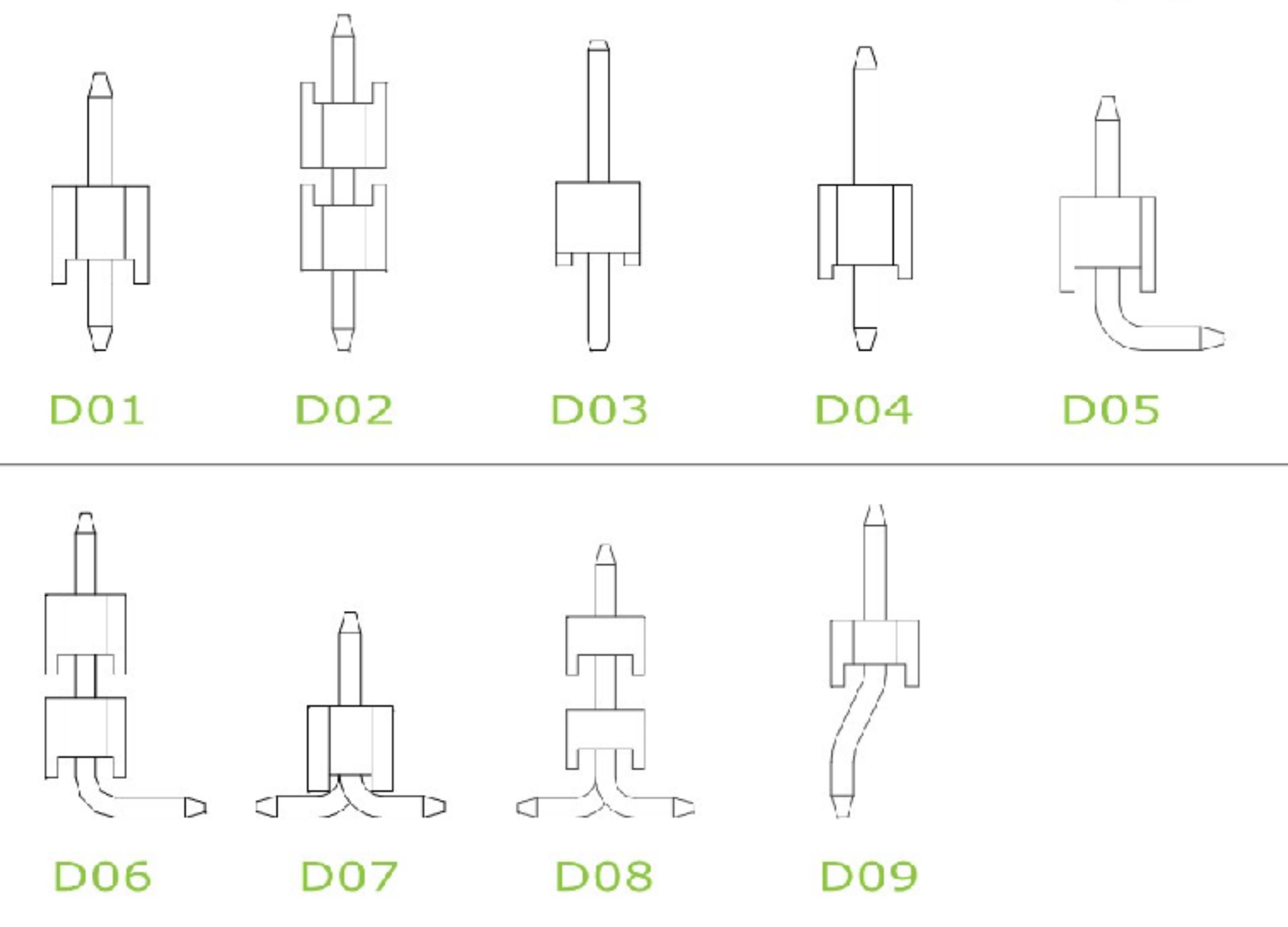
### Materials

Contact Material : Phosphor Bronze  
 Insulation Material : High Temperature Thermoplastic, 94V-0 Nylon

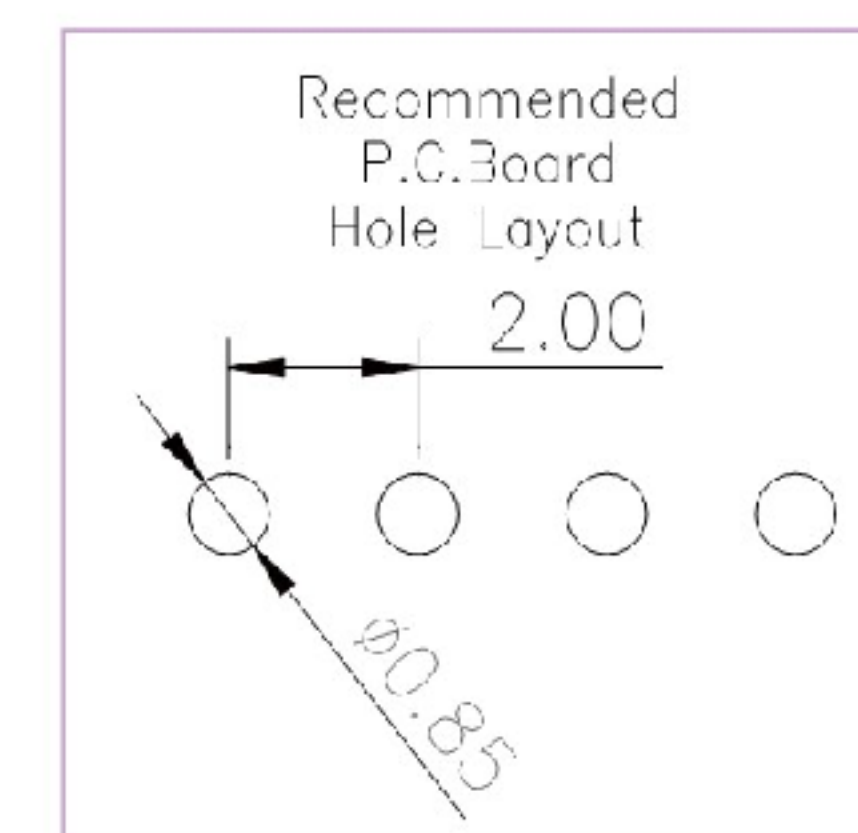
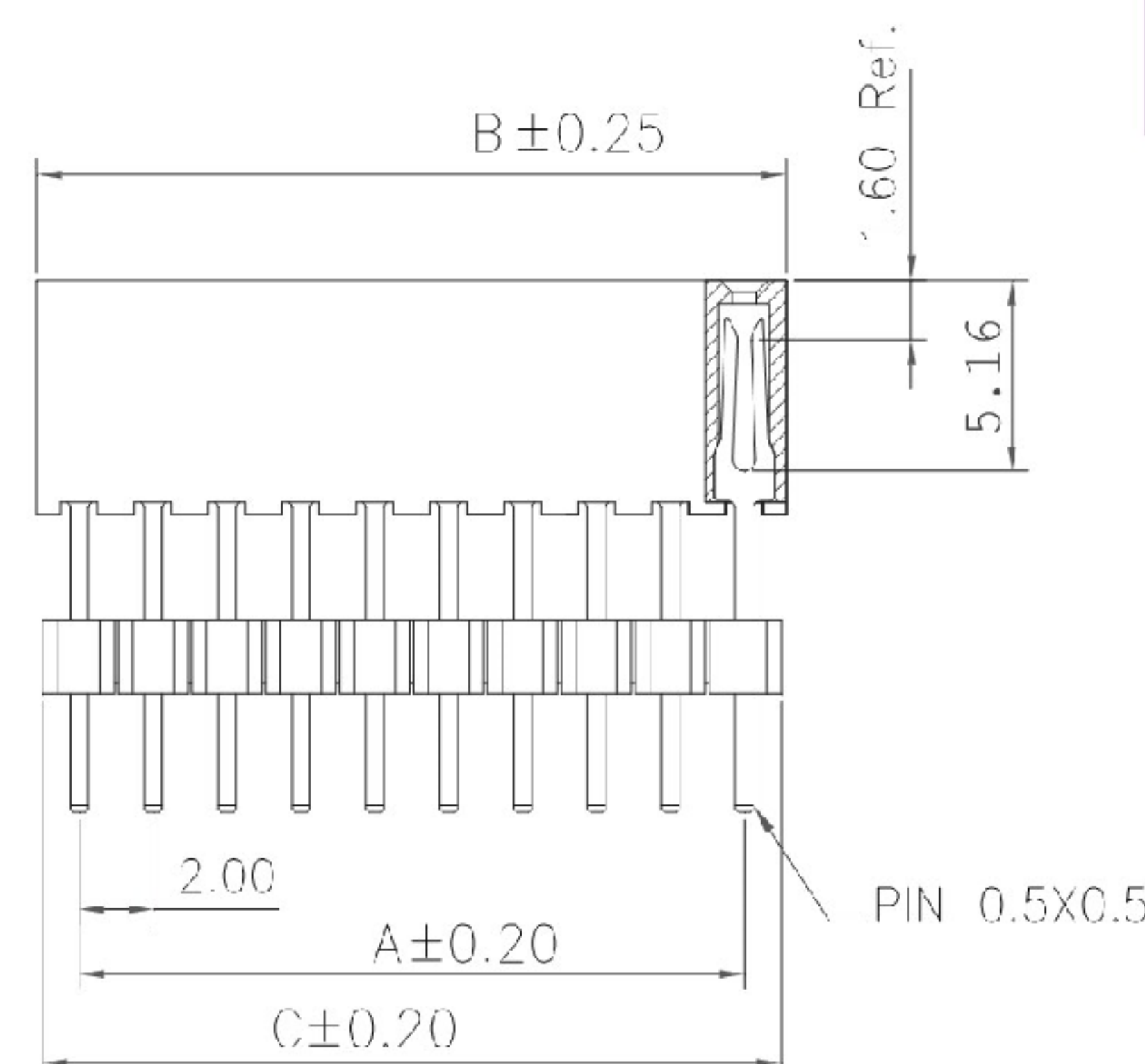
All materials must meet Greenconn's requirements for environmental protection



### Mating with



P.S. : Suggested mating pin length : 1.5 ~ 4.9 mm



\* For Coded Dimension Not Inside The Table, Please Refer To "Ordering Information"

No. of Pins/Row	Dimension Information			No. of Pins/Row	Dimension Information			No. of Pins/Row	Dimension Information			No. of Pins/Row	Dimension Information		
	A	B	C		A	B	C		A	B	C		A	B	C
02	2.00	4.30	4.00	11	20.00	22.30	22.00	21	40.00	42.30	42.00	31	60.00	62.30	62.00
03	4.00	6.30	6.00	12	22.00	24.30	24.00	22	42.00	44.30	44.00	32	62.00	64.30	64.00
04	6.00	8.30	8.00	13	24.00	26.30	26.00	23	44.00	46.30	46.00	33	64.00	66.30	66.00
05	8.00	10.30	10.00	14	26.00	28.30	28.00	24	46.00	48.30	48.00	34	66.00	68.30	68.00
06	10.00	12.30	12.00	15	28.00	30.30	30.00	25	48.00	50.30	50.00	35	68.00	70.30	70.00
07	12.00	14.30	14.00	16	30.00	32.30	32.00	26	50.00	52.30	52.00	36	70.00	72.30	72.00
08	14.00	16.30	16.00	17	32.00	34.30	34.00	27	52.00	54.30	54.00	37	72.00	74.30	74.00
09	16.00	18.30	18.00	18	34.00	36.30	36.00	28	54.00	56.30	56.00	38	74.00	76.30	76.00
10	18.00	20.30	20.00	19	36.00	38.30	38.00	29	56.00	58.30	58.00	39	76.00	78.30	78.00
				20	38.00	40.30	40.00	30	58.00	60.30	60.00	40	78.00	80.30	80.00

**东莞市溪榜电子有限公司**  
 DONG GUAN XI BANG ELECTRONICS CO., LTD.

REV. 01 UNIT. mm SCALE. 5:1 PAGE. 1/1

GENERAL TOLERANCE	
X'±5.0'	X.±0.30
.X'±3.0'	.X±0.25
.XX'±2.0'	.XX±0.15
.XXX'±1.0'	.XXX±0.10

DESIGN:	DATE:
CHECKED:	DATE:
AUDITED:	DATE:
APPROVED:	DATE:

DWG. NO. XB-PM-A-20-103  
 PART NO. XB-PM-A-20-103

TITLE. 2.00 FEMALE HEADER SINGLE ROW DIP TYPE BASE 4.30H