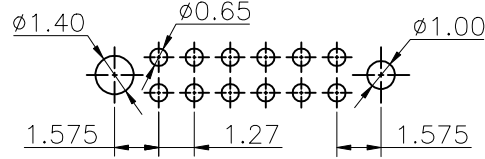


1 2 3 4 5 6 7 8 9

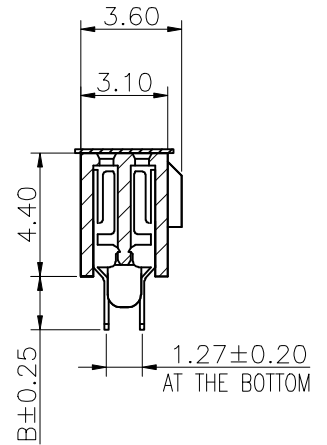
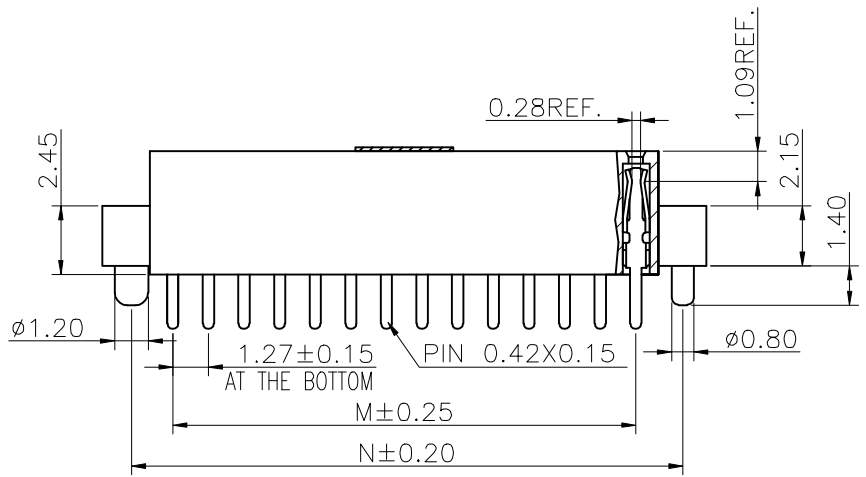
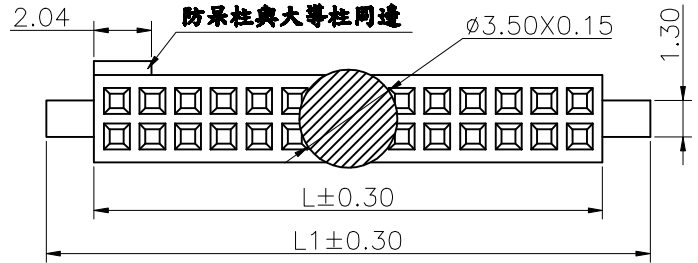
F
E
D
C
B
A

F
E
D
C
B
A

Recommended P.C.Board
Layout
(Tolerance:±0.05)



Specifications
Current Rating:1Amp
Insulation Resistance:1000MΩMin.
Dielectric Withstanding Voltage:300VAC
Contact Resistance:20mΩMax.
Operating Temperature:-40°C to +105°C
Materials
Contact Material:Phosphor Bronze
Insulator Material:High Temperature Thermoplastic, UL 94V-0 LCP or the equivalent material
All materials must meet Greenconn requirement for environment protection.



No. of PIN/ROW	Dimension Information			
	M	L	L1	N
03	2.54	4.16	7.56	5.69
04	3.81	5.43	8.83	6.96
05	5.08	6.70	10.10	8.23
06	6.35	7.97	11.37	9.50
07	7.62	9.24	12.64	10.77
08	8.89	10.51	13.91	12.04
09	10.16	11.78	15.18	13.31
10	11.43	13.05	16.45	14.58
11	12.70	14.32	17.72	15.85
12	13.97	15.59	18.99	17.12
13	15.24	16.86	20.26	18.39
14	16.51	18.13	21.53	19.66
15	17.78	19.40	22.80	20.93
16	19.05	20.67	24.07	22.20
17	20.32	21.94	25.34	23.47
18	21.59	23.21	26.61	24.74
19	22.86	24.48	27.88	26.01
20	24.13	25.75	29.15	27.28
21	25.40	27.02	30.42	28.55
22	26.67	28.29	31.69	29.82
23	27.94	29.56	32.96	31.09
24	29.21	30.83	34.23	32.36
25	30.48	32.10	35.50	33.63
26	31.75	33.37	36.77	34.90
27	33.02	34.64	38.04	36.17
28	34.29	35.91	39.31	37.44
29	35.56	37.18	40.58	38.71
30	36.83	38.45	41.85	39.98
31	38.10	39.72	43.12	41.25
32	39.37	40.99	44.39	42.52
33	40.64	42.26	45.66	43.79
34	41.91	43.53	46.93	45.06
35	43.18	44.80	48.20	46.33
36	44.45	46.07	49.47	47.60
37	45.72	47.34	50.74	48.87
38	46.99	48.61	52.01	50.14
39	48.26	49.88	53.28	51.41
40	49.53	51.15	54.55	52.68
41	50.80	52.42	55.82	53.95
42	52.07	53.69	57.09	55.22
43	53.34	54.96	58.36	56.49
44	54.61	56.23	59.63	57.76
45	55.88	57.50	60.90	59.03
46	57.15	58.77	62.17	60.30
47	58.42	60.04	63.44	61.57
48	59.69	61.31	64.71	62.84
49	60.96	62.58	65.98	64.11
50	62.23	63.85	67.25	65.38

Ordering Information
XB-PM-A-127-202

Plastic specifications
1=Single row
2=Dual row
3=Tripe row
4=Quadruple

Water code

No. of Pins per Row
03~50

Positioning column information
A=No locating post
B=Round post
C=Square post

Plating code
01=Tin
02=Gold Flash
05=Gold Flash/Tin
22=Matte Tin

Pin length
See the drawing

Insulator Material
C=LCP

Color
1=Black
2=White
3=Yellow
E=Beige

Contact Material
A/S/K/T=Phosphor Bronze

Packing code
C=Tube
D=Tape&Reel
E=Cap+Tube
F=Cap+Tape&Reel
G=Acetate Tape+Tube
H=Acetate Tape+Tape&Reel

XB 东莞市溪榜电子有限公司
DONG GUAN XI BANG ELECTRONICS CO., LTD.
Switch Connector

REV. 01	UNIT. mm	SCALE. 3:1	PAGE. 1/1
---------	----------	------------	-----------

GENERAL TOLERANCE	
X.±5.0'	X.±0.30
.X'±3.0'	.X±0.25
.XX'±2.0'	.XX±0.15
.XXX'±1.0'	.XXX±0.10

DESIGN:	DATE:
CHECKED:	DATE:
AUDITED:	DATE:
APPROVED:	DATE:

DWG. NO.
XB-PM-A-127-202

PART NO.
XB-PM-A-127-202

TITLE.
1.27 FEMALE HEADER
DUAL ROW DIP TYPE

1 2 3 4 5 6 7 8 9

A

A

F

E

D

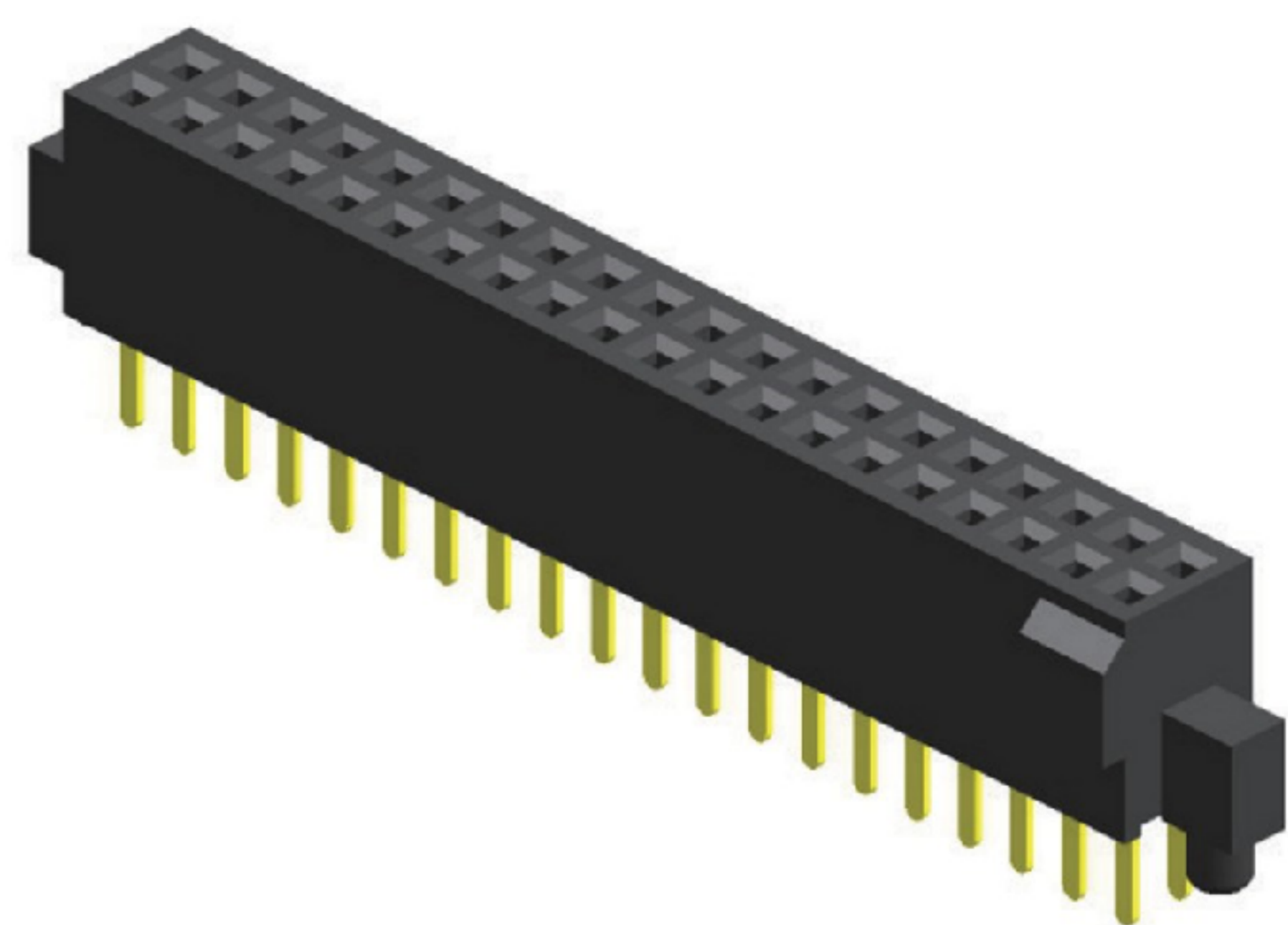
C

B

A

Specifications

Current Rating : 1.0 Ampere
 Insulation Resistance : 1000 M Ω Min
 Dielectric Withstanding : 300V AC
 Contact Resistance : 20 m Ω Max
 Operating Temperature : -40°C to +105°C

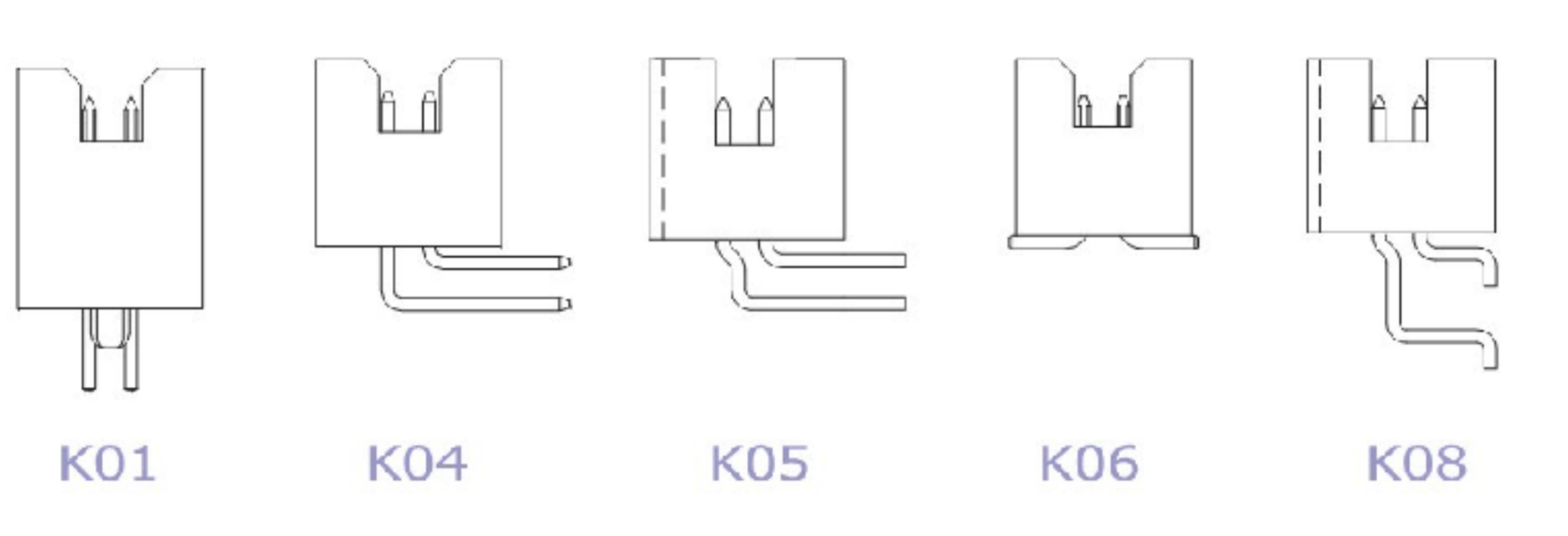


Materials

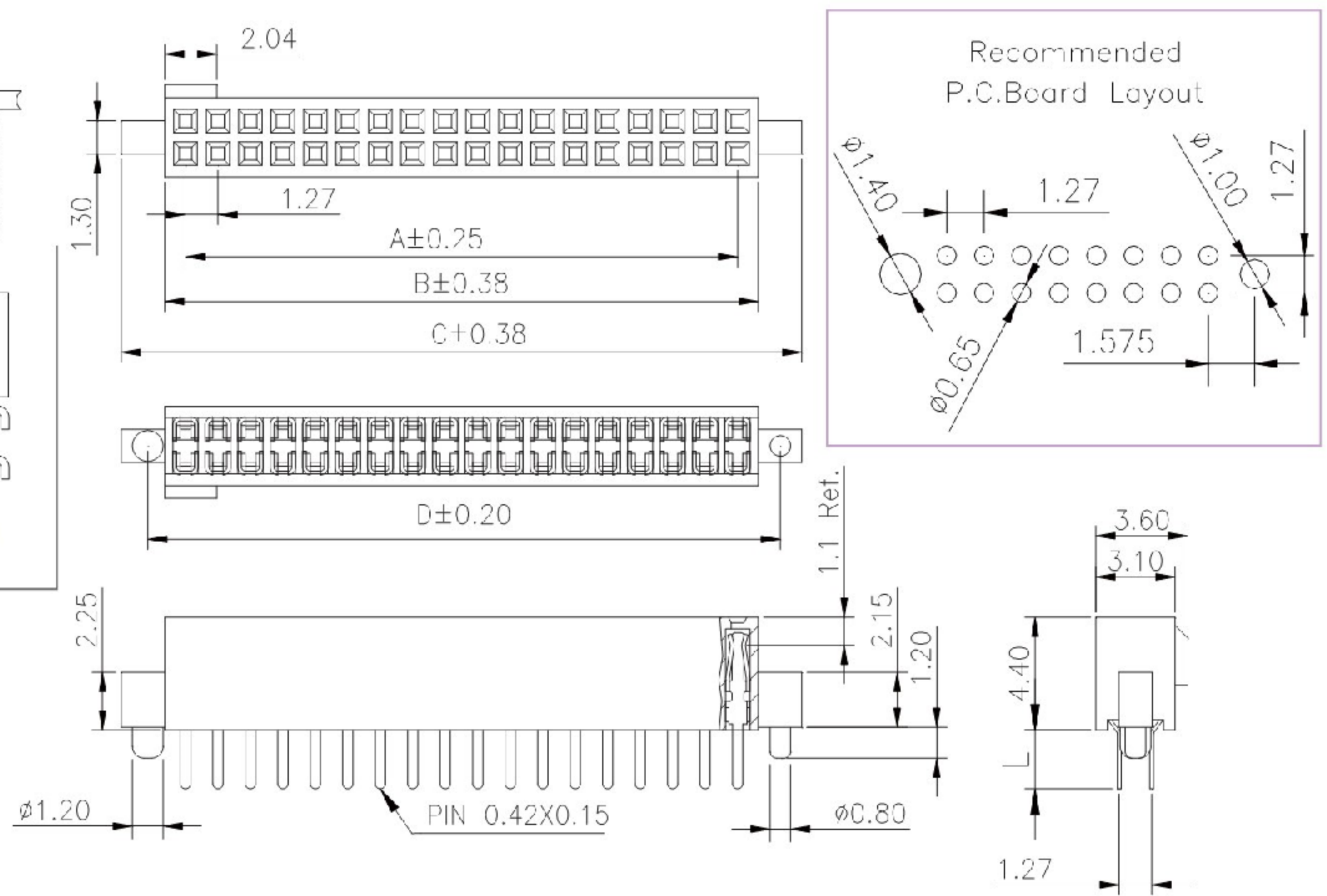
Contact Material : Phosphor Bronze
 Insulation Material : High Temperature Thermoplastic, 94V-0 LCP

All materials must meet Greenconn's requirements for environmental protection.

Mating with



P.S. : Suggested mating pin length : 2.0 ~ 4.2 mm



* For Coded Dimension Not Inside The Table, Please Refer To "Ordering Information"

No. of Pins/Row	Dimension Information				No. of Pins/Row	Dimension Information				No. of Pins/Row	Dimension Information				No. of Pins/Row	Dimension Information			
	A	B	C	D		A	B	C	D		A	B	C	D		A	B	C	D
04	3.81	5.43	8.83	6.96	14	16.51	18.13	21.53	19.66	27	33.02	34.64	38.04	36.17	40	49.53	51.15	54.55	52.68
05	5.08	6.70	10.10	8.23	15	17.78	19.40	22.80	20.93	28	34.29	35.91	39.31	37.44	41	50.80	52.42	55.82	53.95
06	6.35	7.97	11.37	9.05	16	19.05	20.67	24.07	22.20	29	35.56	37.18	40.58	38.71	42	52.07	53.69	57.09	55.22
07	7.62	9.24	12.64	10.77	17	20.32	21.94	25.34	23.47	30	36.83	38.45	41.85	39.98	43	53.34	54.96	58.36	56.49
08	8.89	10.51	13.91	12.04	18	21.59	23.21	26.61	24.74	31	38.10	39.72	43.12	41.25	44	54.61	56.23	59.63	57.76
09	10.16	11.78	15.18	13.31	19	22.86	24.48	27.88	26.01	32	39.37	40.99	44.39	42.52	45	55.88	57.50	60.90	59.03
10	11.43	13.05	16.45	14.58	20	24.13	25.75	29.15	27.28	33	40.64	42.26	45.66	43.79	46	57.15	58.77	62.17	60.30
11	12.70	14.32	17.72	15.85	21	25.40	27.02	30.42	28.55	34	41.91	43.53	46.93	45.06	47	58.42	60.04	63.44	61.57
12	13.97	15.59	18.99	17.12	22	26.67	28.29	31.69	29.82	35	43.18	44.08	48.20	46.33	48	59.69	61.31	64.71	62.84
13	15.24	16.86	20.26	18.39	23	27.94	29.56	32.96	31.09	36	44.45	46.07	49.47	47.60	49	60.96	62.58	65.98	64.11
					24	29.21	30.83	34.23	32.36	37	45.72	47.34	50.74	48.87	50	62.23	63.85	67.25	65.38
					25	30.48	32.10	35.50	33.63	38	46.99	48.61	52.01	50.14					
					26	31.75	33.37	36.77	34.90	39	48.26	49.88	53.28	51.41					



REV. 01	UNIT. mm	SCALE. 5:1	PAGE. 1/1
---------	----------	------------	-----------

GENERAL TOLERANCE		DESIGN:	DATE:
X'±5.0'	X±0.30	CHECKED:	DATE:
.X'±3.0'	.X±0.25	AUDITED:	DATE:
.XX'±2.0'	.XX±0.15	APPROVED:	DATE:
.XXX'±1.0'	.XXX±0.10		

DWG. NO. XB-PM-A-127-202
PART NO. XB-PM-A-127-202

TITLE:
2.00 FEMALE HEADER
SINGLE ROW DIP TYPE
BASE 4.30H

F

E

D

C

B

A