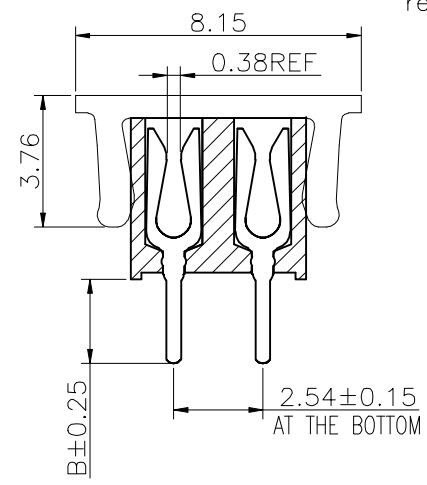
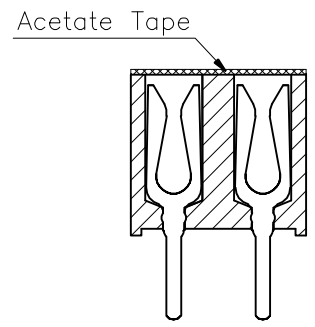
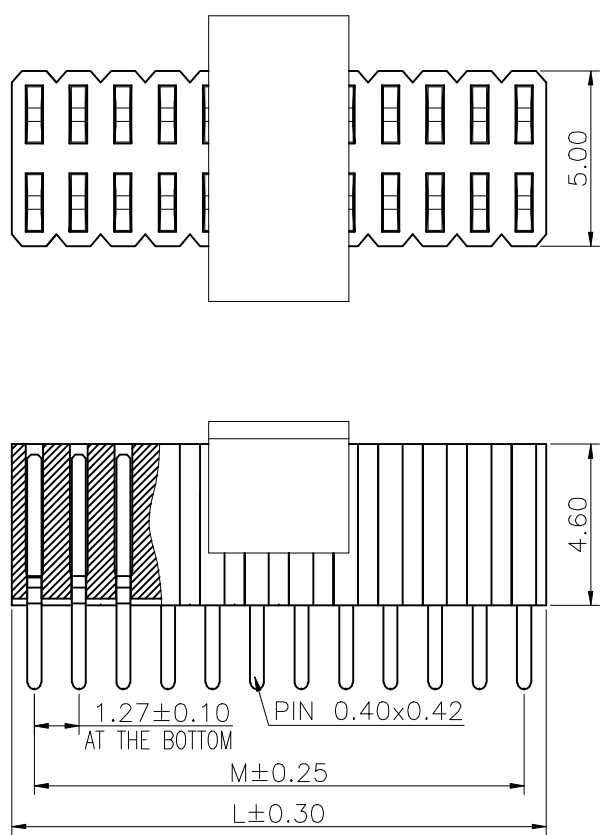


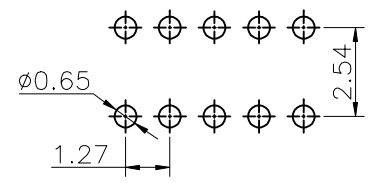
1 2 3 4 5 6 7 8 9

F  
E  
D  
C  
B  
A



Specifications  
 Current Rating:1Amp  
 Insulation Resistance:1000MΩMin.  
 Dielectric Withstanding Voltage:300VAC  
 Contact Resistance:20mΩMax.  
 Operating Temperature:-40°C to +105°C  
 Materials  
 Contact Material:Phosphor Bronze  
 Insulator Material:High Temperature Thermoplastic, UL 94V-0 LCP or the equivalent material  
 All materials must meet Greenconn requirement for environment protection.

Recommended P.C.Board Layout  
 (Tolerance:±0.05)



No. of PIN/ROW	Dimension Information	
	M	L
02	1.27	2.54
03	2.54	3.81
04	3.81	5.08
05	5.08	6.35
06	6.35	7.62
07	7.62	8.89
08	8.89	10.16
09	10.16	11.43
10	11.43	12.70
11	12.70	13.97
12	13.97	15.24
13	15.24	16.51
14	16.51	17.78
15	17.78	19.05
16	19.05	20.32
17	20.32	21.59
18	21.59	22.86
19	22.86	24.13
20	24.13	25.40
21	25.40	26.67
22	26.67	27.94
23	27.94	29.21
24	29.21	30.48
25	30.48	31.75
26	31.75	33.02
27	33.02	34.29
28	34.29	35.56
29	35.56	36.83
30	36.83	38.10
31	38.10	39.37
32	39.37	40.64
33	40.64	41.91
34	41.91	43.18
35	43.18	44.45
36	44.45	45.72
37	45.72	46.99
38	46.99	48.26
39	48.26	49.53
40	49.53	50.80
41	50.80	52.07
42	52.07	53.34
43	53.34	54.61
44	54.61	55.88
45	55.88	57.15
46	57.15	58.42
47	58.42	59.69
48	59.69	60.96
49	60.96	62.23
50	62.23	63.50

### Ordering Information

**XB-PM-A-127-201**

- Plastic specifications: 1=Single row, 2=Dual row, 3=Tripe row, 4=Quadruple
- Water code: No. of Pins per Row 02~50
- Positioning column information: A=No locating post, B=Round post, C=Square post
- Pin length: See the drawing
- Insulator Material: C=LCP
- Color: 1=Black, 2=White, 3=Yellow, E=Beige
- Contact Material: A/S/K/T=Phosphor Bronze
- Packing code: A=Box, C=Tube, D=Tape&Reel, E=Cap+Tube, F=Cap+Tape&Reel, G=Acetate Tape+Tube, H=Acetate Tape+Tape&Reel
- Plating code: 01=Tin, 02=Gold Flash, 05=Gold Flash/Tin, 22=Matte Tin

**东莞市溪榜电子有限公司**  
 DONG GUAN XI BANG ELECTRONICS CO., LTD.  
 Switch Connector

REV. 01	UNIT. mm	SCALE. 5:1	PAGE. 1/1
---------	----------	------------	-----------

GENERAL TOLERANCE	
X'±5.0'	X.±0.30
.X'±3.0'	.X±0.25
.XX'±2.0'	.XX±0.15
.XXX'±1.0'	.XXX±0.10

DESIGN:	DATE:
CHECKED:	DATE:
AUDITED:	DATE:
APPROVED:	DATE:

DWG. NO.  
**XB-PM-A-127-201**  
 PART NO.  
**XB-PM-A-127-201**

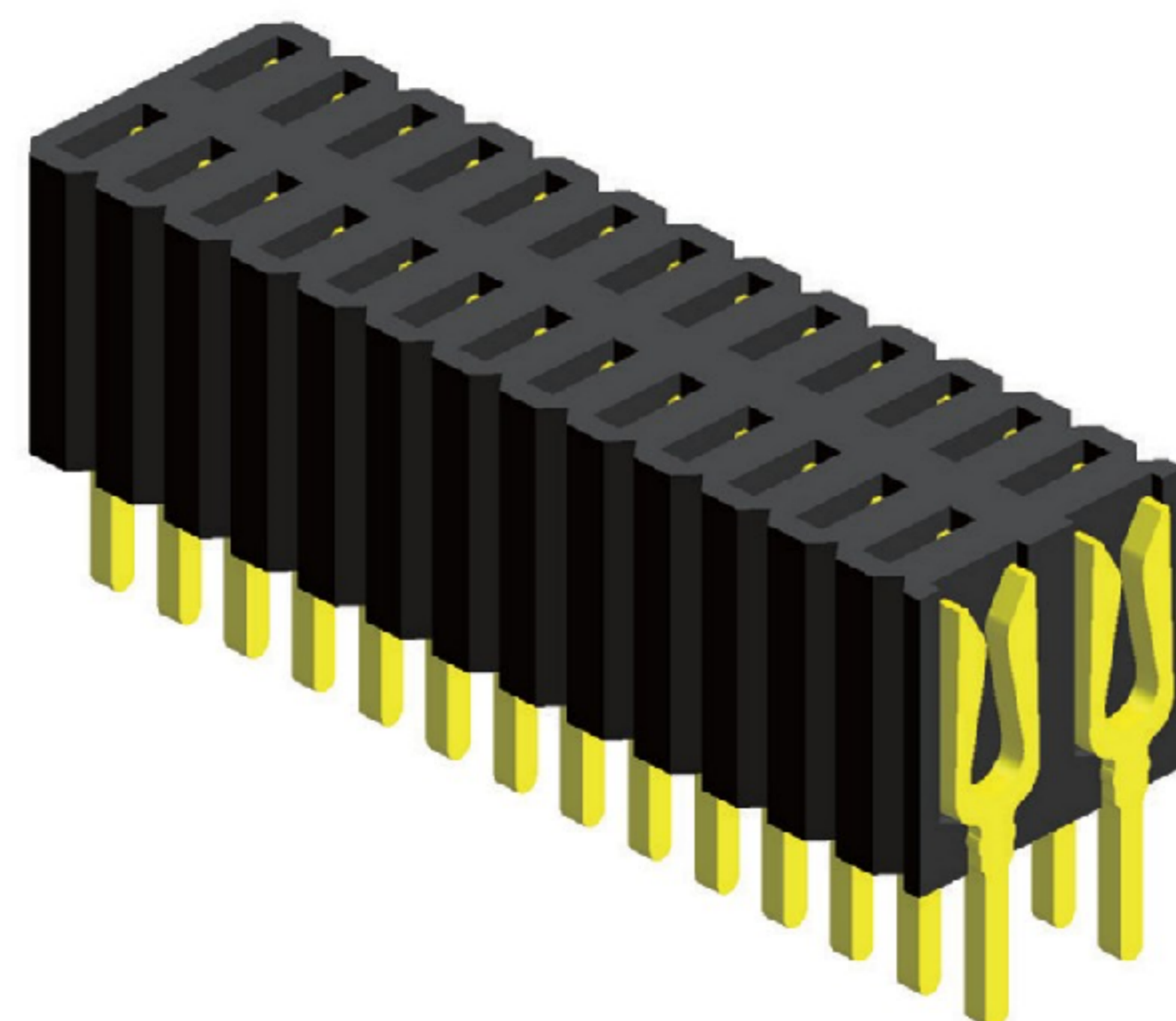
TITLE:  
 1.27 FEMALE HEADER  
 DUAL ROWS DIP TYPE  
 CONNECTOR

1 2 3 4 5 6 7 8 9

F  
E  
D  
C  
B  
A

### Specifications

Current Rating : 1.0 Ampere  
 Insulation Resistance : 1000 MΩ Min  
 Dielectric Withstanding : 300V AC  
 Contact Resistance : 20 mΩ Max  
 Operating Temperature : -40°C to +105°C

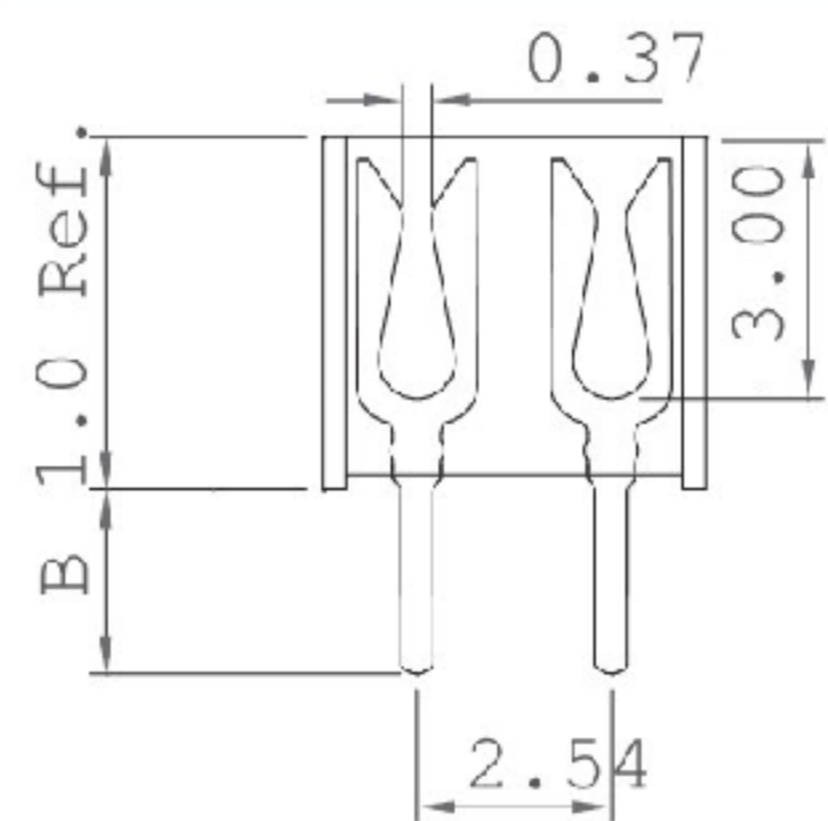
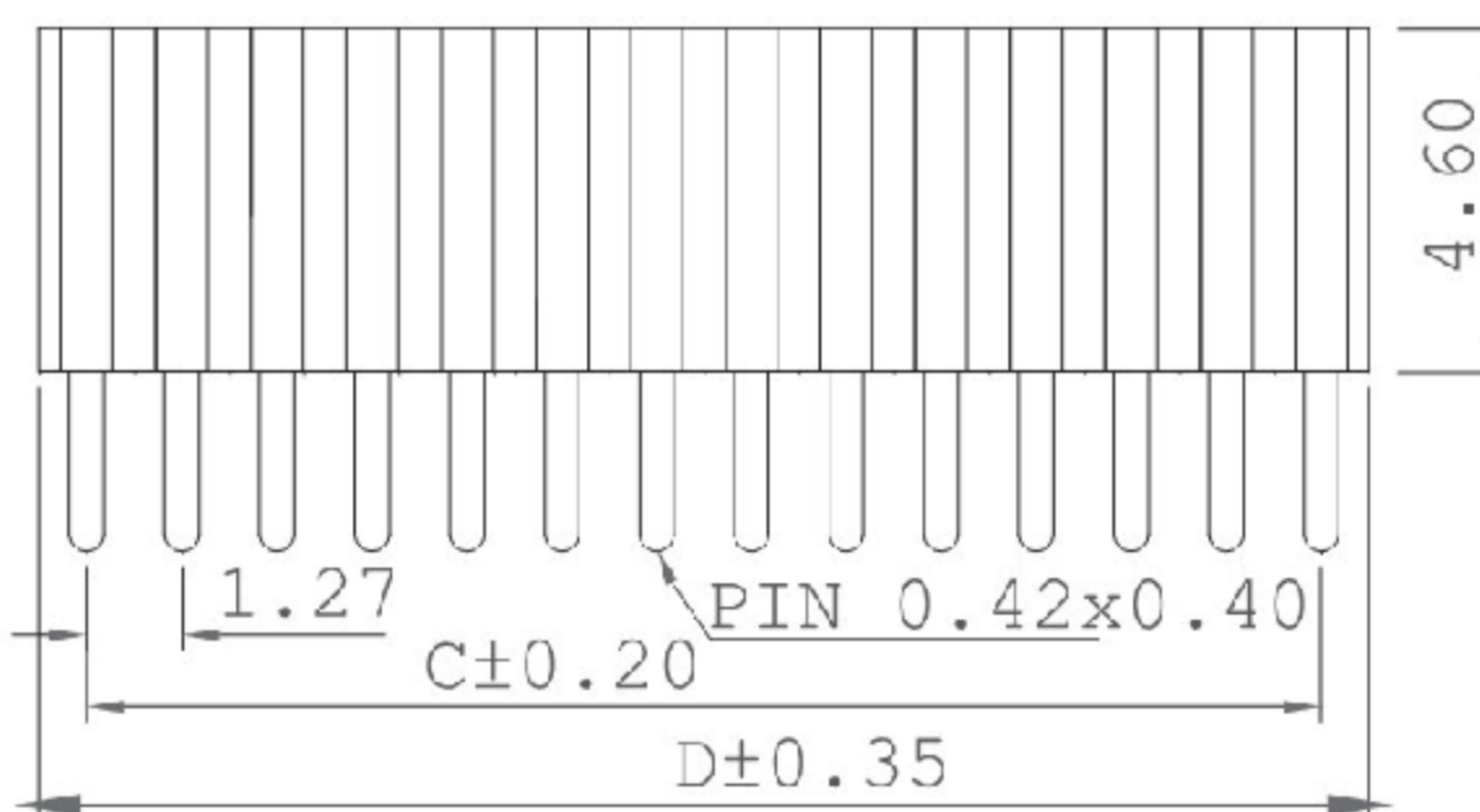
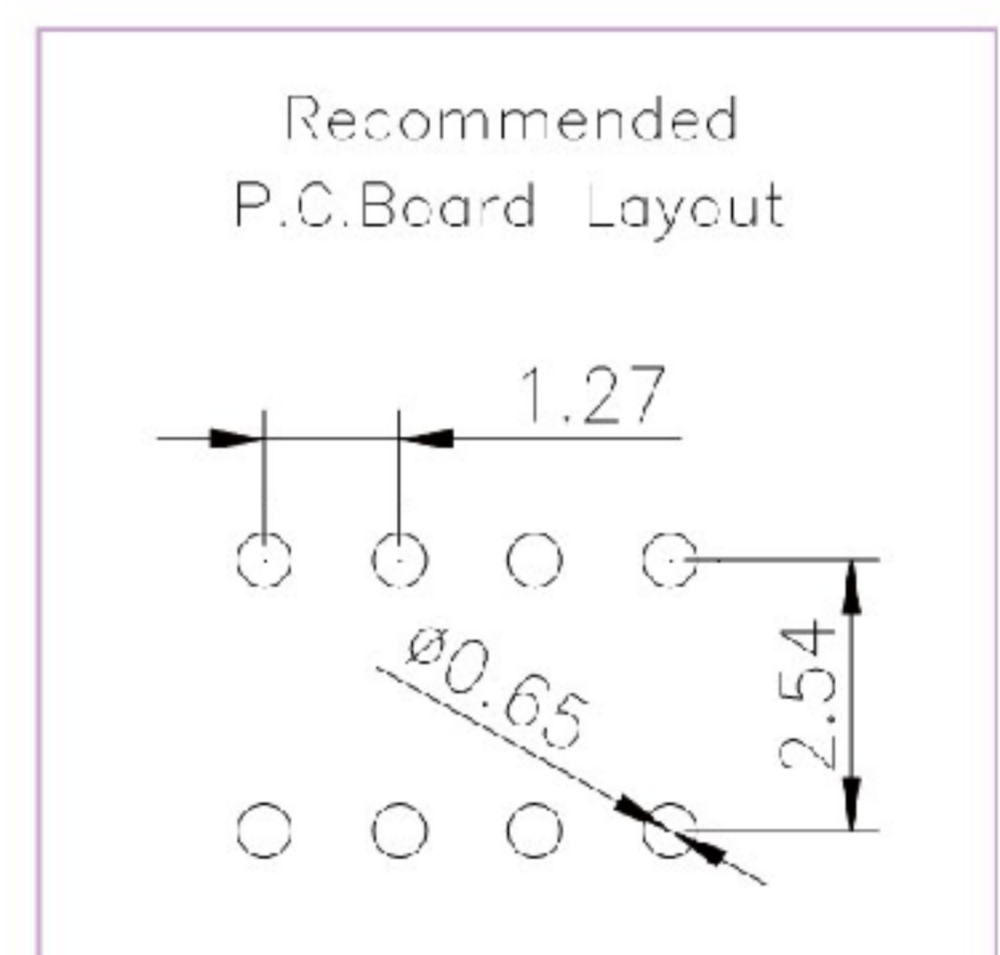
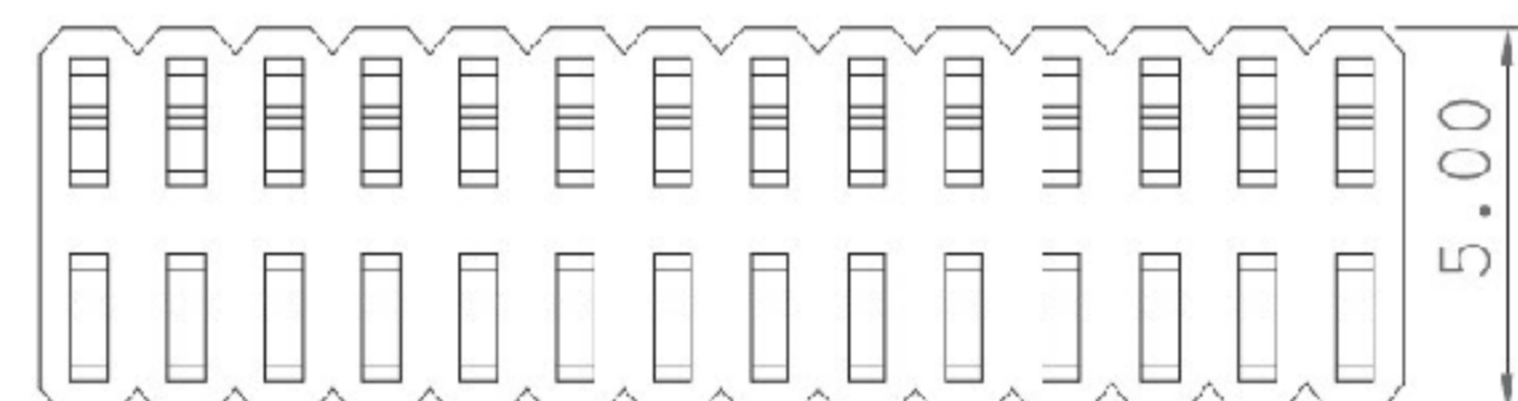
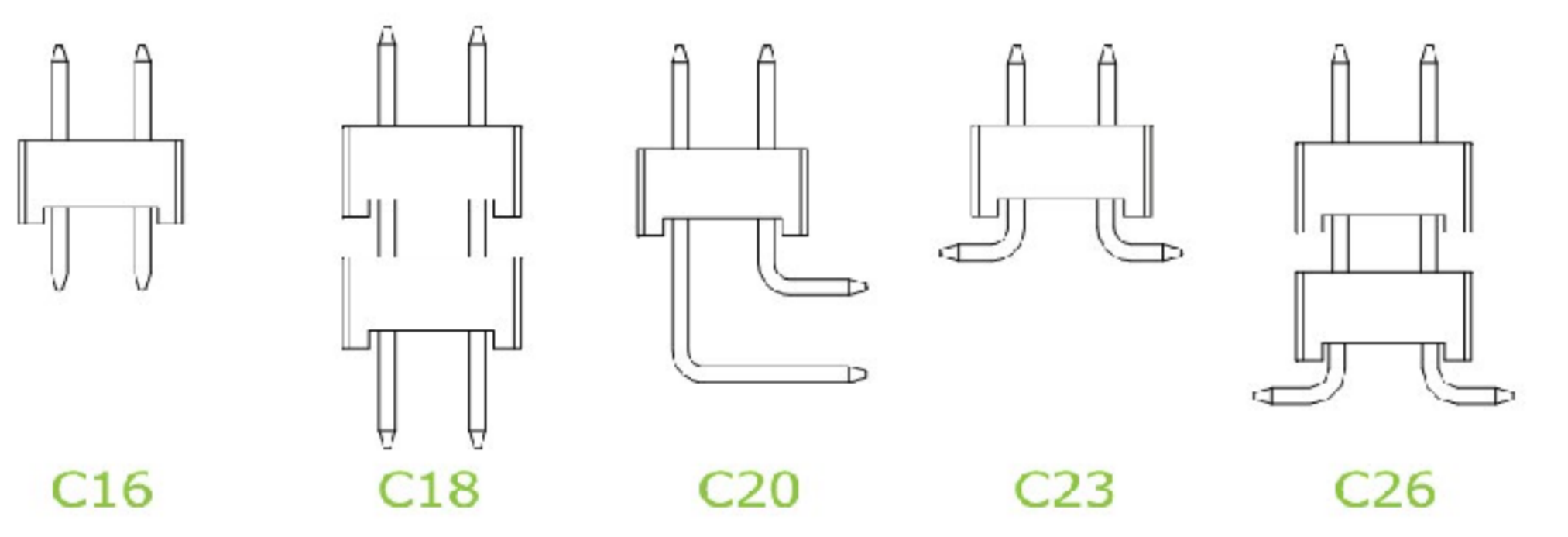


### Materials

Contact Material : Phosphor Bronze  
 Insulation Material : High Temperature Thermoplastic, 94V-0 LCP

All materials must meet Greenconn's requirements for environmental protection.

### Mating with



\* For Coded Dimension Not Inside The Table, Please Refer To "Ordering Information"

No. of Pins/Row	Dimension Information		No. of Pins/Row	Dimension Information		No. of Pins/Row	Dimension Information		No. of Pins/Row	Dimension Information	
	C	D		C	D		C	D		C	D
03	2.54	3.81	14	16.51	17.78	27	33.02	34.29	40	49.53	50.80
04	3.81	5.08	15	17.78	19.05	28	34.29	35.56	41	50.80	52.07
05	5.08	6.35	16	19.05	20.32	29	35.56	36.83	42	52.07	53.34
06	6.35	7.62	17	20.32	21.59	30	36.83	38.10	43	53.34	54.61
07	7.62	8.89	18	21.59	22.86	31	38.10	39.37	44	54.61	55.88
08	8.89	10.16	19	22.86	24.13	32	39.37	40.64	45	55.88	57.15
09	10.16	11.43	20	24.13	25.40	33	40.64	41.91	46	57.15	57.42
10	11.43	12.70	21	25.40	26.67	34	41.91	43.18	47	57.42	59.69
11	12.70	13.97	22	26.67	27.94	35	43.18	44.45	48	59.69	60.96
12	13.97	15.24	23	27.94	29.21	36	44.45	45.72	49	60.96	62.23
13	15.24	16.51	24	29.21	30.48	37	45.72	46.99	50	62.23	63.50
			25	30.48	31.75	38	46.99	48.26			
			26	31.75	33.02	39	48.26	49.53			

**东莞市溪榜电子有限公司**  
 DONG GUAN XI BANG ELECTRONICS CO., LTD.

GENERAL TOLERANCE	
X' ± 5.0'	X ± 0.30
.X' ± 3.0'	.X ± 0.25
.XX' ± 2.0'	.XX ± 0.15
.XXX' ± 1.0'	.XXX ± 0.10

DESIGN:	DATE:
CHECKED:	DATE:
AUDITED:	DATE:
APPROVED:	DATE:

DWG. NO.	XB-PM-A-127-201
PART NO.	
XB-PM-A-127-201	

TITLE:  
 2.00 FEMALE HEADER  
 SINGLE ROW DIP TYPE  
 BASE 4.30H

REV. 01	UNIT. mm	SCALE. 5:1	PAGE. 1/1	
---------	----------	------------	-----------	--