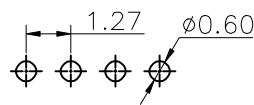
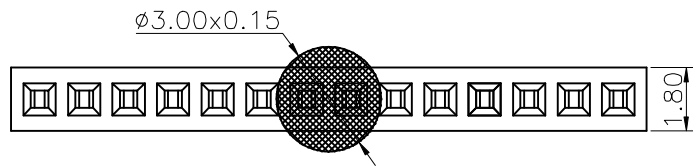
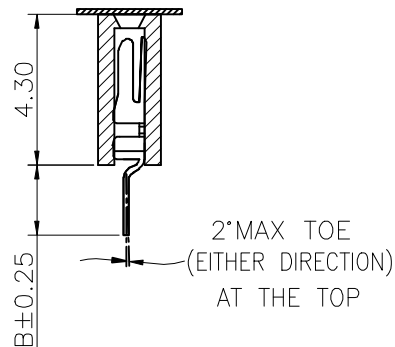
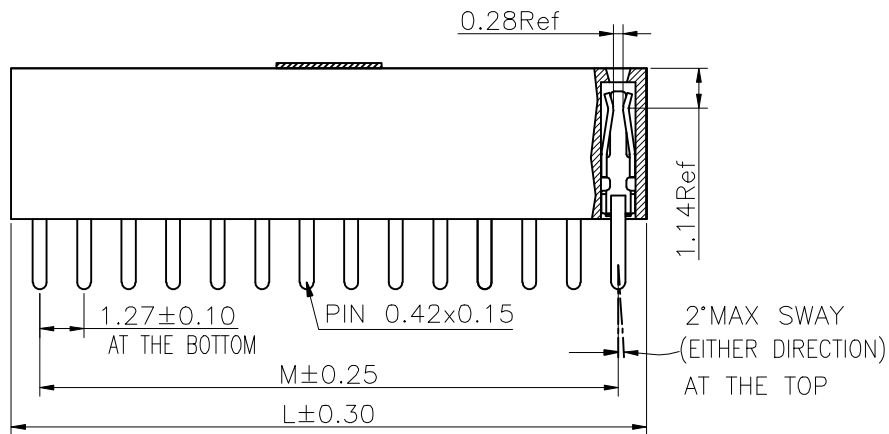


Recommended P.C.Board  
Layout  
(Tolerance:±0.05)



Specifications  
Current Rating:1Amp  
Insulation Resistance:1000MΩMin.  
Dielectric Withstanding Voltage:300VAC  
Contact Resistance:20mΩMax.  
Operating Temperature:-40°C to +105°C  
Materials  
Contact Material:Phosphor Bronze  
Insulator Material:High Temperature  
Thermoplastic, UL 94V-0 LCP or the  
equivalent material  
All materials must meet Greenconn  
requirement for environment protection.



No. of PIN/ROW	Dimension Information	
	A	B
02	1.27	2.89
03	2.54	4.16
04	3.81	5.43
05	5.08	6.70
06	6.35	7.97
07	7.62	9.24
08	8.89	10.51
09	10.16	11.78
10	11.43	13.05
11	12.70	14.32
12	13.97	15.59
13	15.24	16.86
14	16.51	18.13
15	17.78	19.40
16	19.05	20.67
17	20.32	21.94
18	21.59	23.21
19	22.86	24.48
20	24.13	25.75
21	25.40	27.02
22	26.67	28.29
23	27.94	29.56
24	29.21	30.83
25	30.48	32.10
26	31.75	33.37
27	33.02	34.64
28	34.29	35.91
29	35.56	37.18
30	36.83	38.45
31	38.10	39.72
32	39.37	40.99
33	40.64	42.26
34	41.91	43.53
35	43.18	44.80
36	44.45	46.07
37	45.72	47.34
38	46.99	48.61
39	48.26	49.88
40	49.53	51.15

### Ordering Information XB-PM-A-127-102

Plastic specifications  
1=Single row  
2=Dual row  
3=Tripe row  
4=Quadruple

Water code  
No. of Pins per Row  
02~40

Positioning column information  
A=No locating post  
B=Round post  
C=Square post

Pin length  
See the drawing

Plating code  
01=Tin  
02=Gold Flash  
05=Gold Flash/Tin  
22=Matte Tin

Insulator Material  
C=LCP

Color  
1=Black  
2=White  
3=Yellow  
E=Beige

Contact Material  
A/S/K/T=Phosphor Bronze

Packing code  
C=Tube  
D=Tape&Reel  
E=Cap+Tube  
F=Cap+Tape&Reel  
G=Acetate Tape+Tube  
H=Acetate Tape+Tape&Reel

	<b>东莞市溪榜电子有限公司</b> DONG GUAN XI BANG ELECTRONICS CO., LTD.		GENERAL TOLERANCE X.±5.0' X.±0.30 .X'±3.0' .X±0.25 .XX'±2.0' .XX±0.15 .XXX'±1.0' .XXX±0.10		DESIGN: CHECKED: AUDITED: APPROVED:	DATE: DATE: DATE: DATE:	DWG. NO. <b>XB-PM-A-127-102</b> PART NO. <b>XB-PM-A-127-102</b>	TITLE: 1.27 FEMALE HEADER SINGLE ROW DIP TYPE
	REV. 01	UNIT. mm	SCALE. 3:1	PAGE. 1/1				

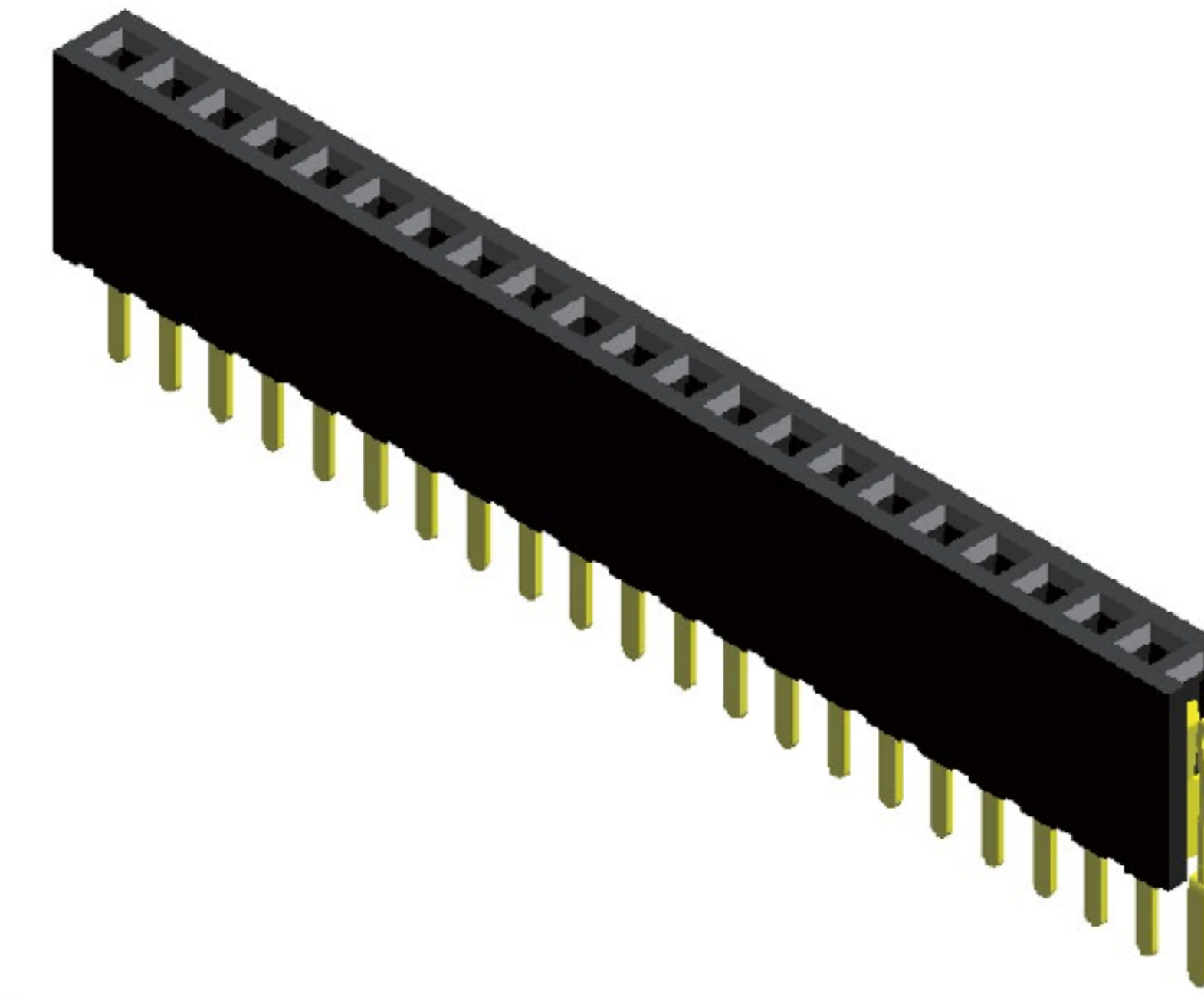
## Specifications

Current Rating : 1.0 Ampere  
 Insulation Resistance : 1000 MΩ Min  
 Dielectric Withstanding : 300V AC  
 Contact Resistance : 20 mΩ Max  
 Operating Temperature : -40°C to +105°C

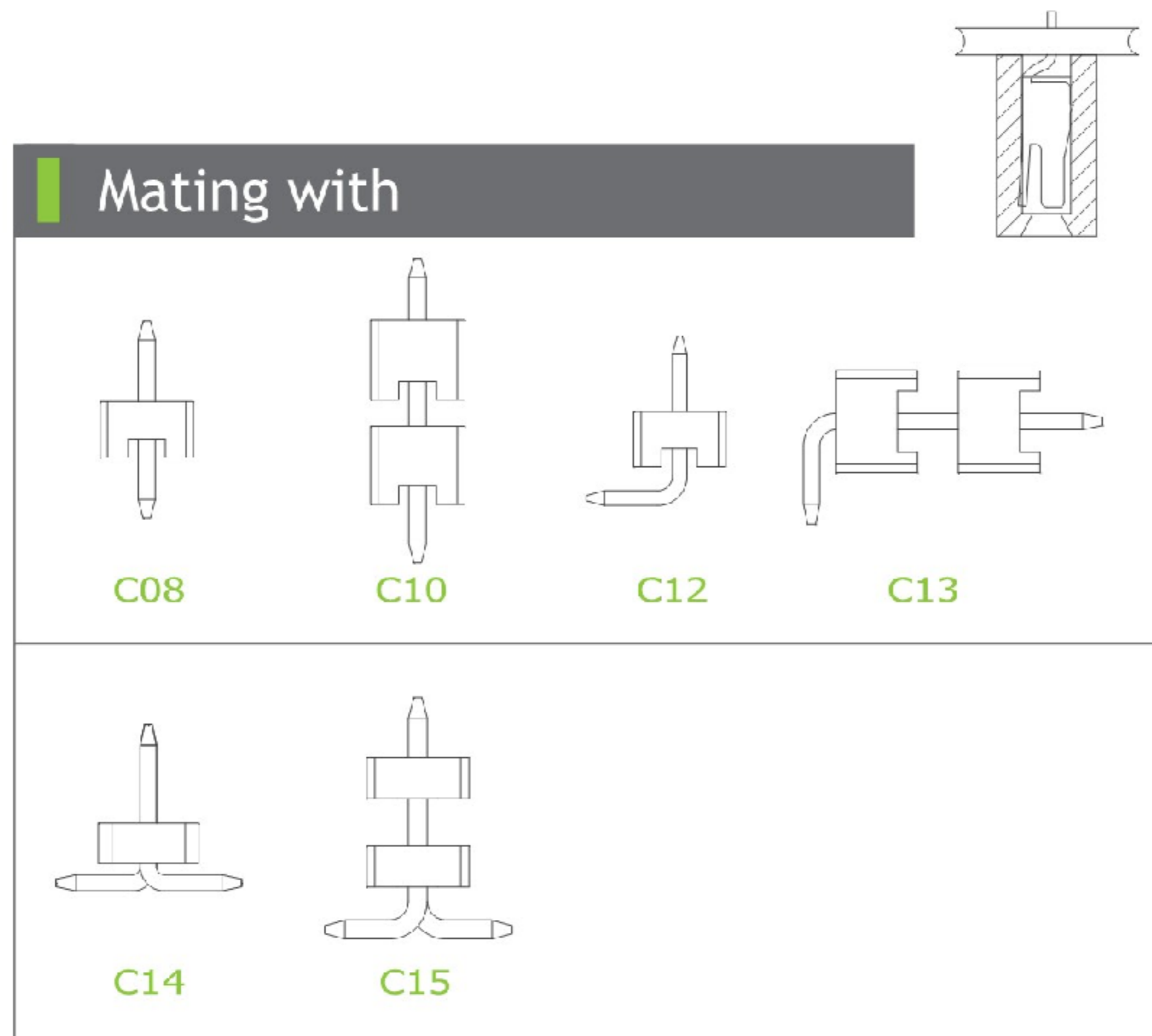
## Materials

Contact Material : Phosphor Bronze  
 Insulation Material : High Temperature Thermoplastic, 94V-0 LCP

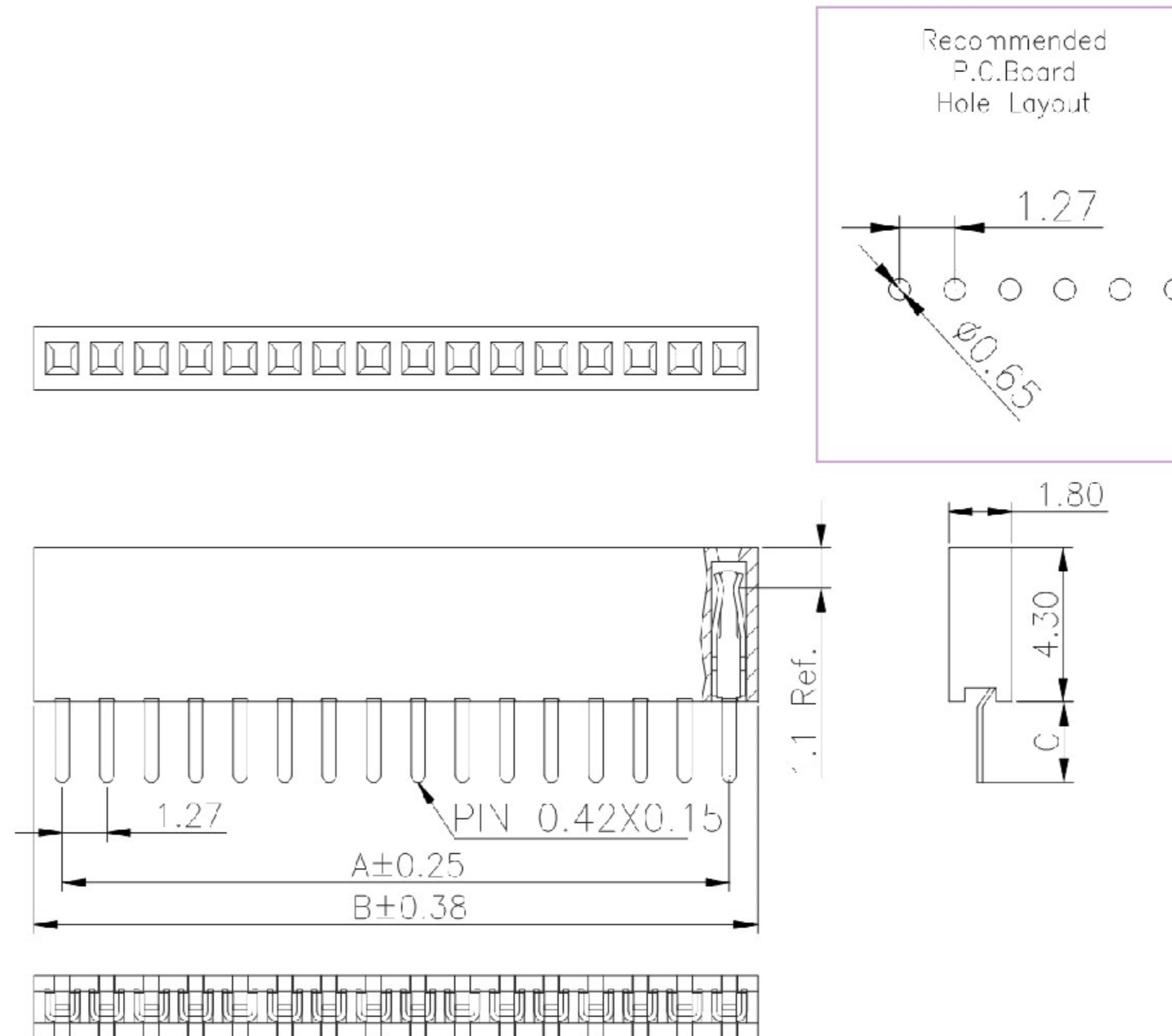
All materials must meet Greenconn's requirements for environmental protection.



## Mating with



P.S. : Suggested mating pin length : 2.0 ~ 4.0 mm



\* For Coded Dimension Not Inside The Table, Please Refer To "Ordering Information"

No. of Pins/Row	Dimension Information		No. of Pins/Row	Dimension Information		No. of Pins/Row	Dimension Information		No. of Pins/Row	Dimension Information	
	A	B		A	B		A	B		A	B
02	1.27	2.94	11	12.70	14.32	21	25.40	27.02	31	38.10	39.72
03	2.54	4.16	12	13.97	15.59	22	26.67	28.29	32	39.37	40.99
04	3.81	5.43	13	15.24	16.86	23	27.94	29.56	33	40.64	42.26
05	5.08	6.70	14	16.51	18.13	24	29.21	30.83	34	41.91	43.53
06	6.35	7.97	15	17.78	19.40	25	30.48	32.10	35	43.18	44.80
07	7.62	9.24	16	19.05	20.67	26	31.75	33.37	36	44.45	46.07
08	8.89	10.51	17	20.32	21.94	27	33.02	34.64	37	45.72	47.34
09	10.16	11.78	18	21.59	23.21	28	34.29	35.91	38	46.99	48.61
10	11.43	13.05	19	22.86	24.48	29	35.56	37.18	39	48.26	49.88
			20	24.13	25.75	30	36.83	38.45	40	49.53	51.15

**XB** 东莞市溪榜电子有限公司  
 DONG GUAN XI BANG ELECTRONICS CO., LTD.

REV. 01 UNIT. mm SCALE. 5:1 PAGE. 1/1

GENERAL TOLERANCE	
X.±5.0'	X.±0.30
.X'±3.0'	.X±0.25
.XX'±2.0'	.XX±0.15
.XXX'±1.0'	.XXX±0.10

DESIGN:	DATE:
CHECKED:	DATE:
AUD TED:	DATE:
APPROVED:	DATE:

DWG. NO.  
XB-PM-A-127-102  
PART NO.  
XB-PM-A-127-102

TITLE.  
2.00 FEMALE HEADER  
SINGLE ROW DIP TYPE  
BASE 4.30H