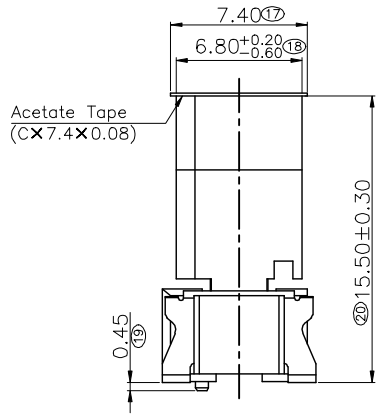
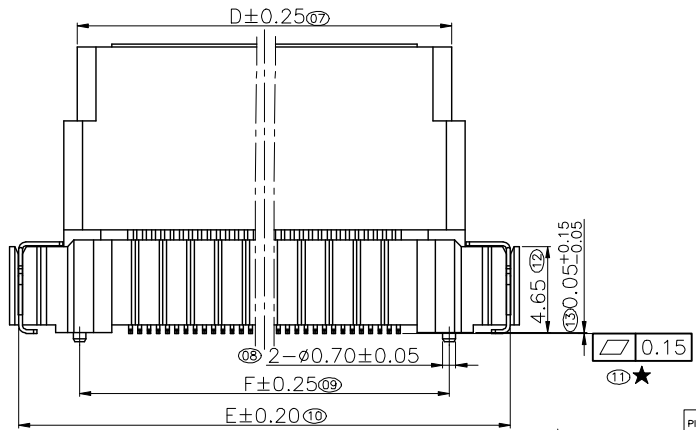


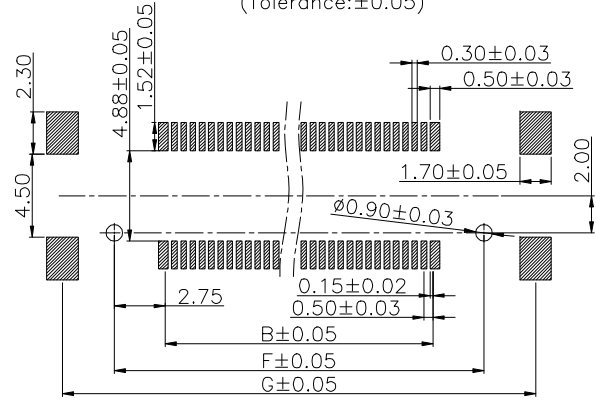
Specifications
 Current Rating:0.4Amp
 Insulation Resistance:100MΩMin.
 Dielectric Withstanding Voltage:250VAC
 Contact Resistance:100mΩMax.
 Operating Temperature:-40°C to +105°C
 Materials
 Contact Material: Copper alloy
 Insulator Material:High Temperature Thermoplastic, UL 94V-0 LCP or the equivalent material



★All materials must meet GREENCONN hazardous substances control standards.
 "★": Critical Characteristics.
 indicates product characteristics, functionalities, and manufacturing processes regarding to customer's specifications
 "☆": Safety Features
 indicates product characteristics, functionalities, and manufacturing processes complying to legal regulations stated by local government

Recommended P.C.Board Layout
 (Tolerance:±0.05)

PIN数/ROW	A	B	C	D	E	F	G	备注
2X20	22.60	9.50	10.50	15.25	21.60	15.00	20.60	未测试
2X30	27.60	14.50	15.50	20.25	26.60	20.00	25.60	未测试
2X40	32.60	19.50	20.50	25.25	31.60	25.00	30.60	未测试
2X50	37.60	24.50	25.50	30.25	36.60	30.00	35.60	未测试
2X60	42.60	29.50	30.50	35.25	41.60	35.00	40.60	未测试
2X70	47.60	34.50	35.50	40.25	46.60	40.00	45.60	未测试
2X80	52.60	39.50	40.50	45.25	51.60	45.00	50.60	已测试



Ordering Information

XB-GGAC-201

No. Of Pins Per Row
80

Standard Plating
O2=Gold Flash

Color
1=Black

Standard Packing
H=Acetate Tape+Tape&Reel

东莞市溪榜电子有限公司
 DONG GUAN XI BANG ELECTRONICS CO., LTD.
 Switch Connector

3RD.ANG PROJ.
 PAGE. 1/1

GENERAL TOLERANCE	
X: ±5.0'	X: ±0.30
.X' ±3.0'	.X ±0.25
.XX' ±2.0'	.XX ±0.15
.XXX' ±1.0'	.XXX ±0.10

DESIGNED: / DATE: /
 CHECKED: / DATE: /
 APPROVED: / DATE: /

DWG. NO. XB-GGAC-201
 PART NO. XB-GGAC-201

TITLE. 0.5mm PITCH BTB FLOATING CONNECTOR